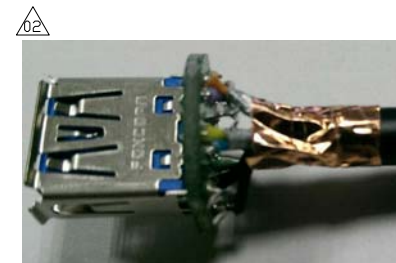
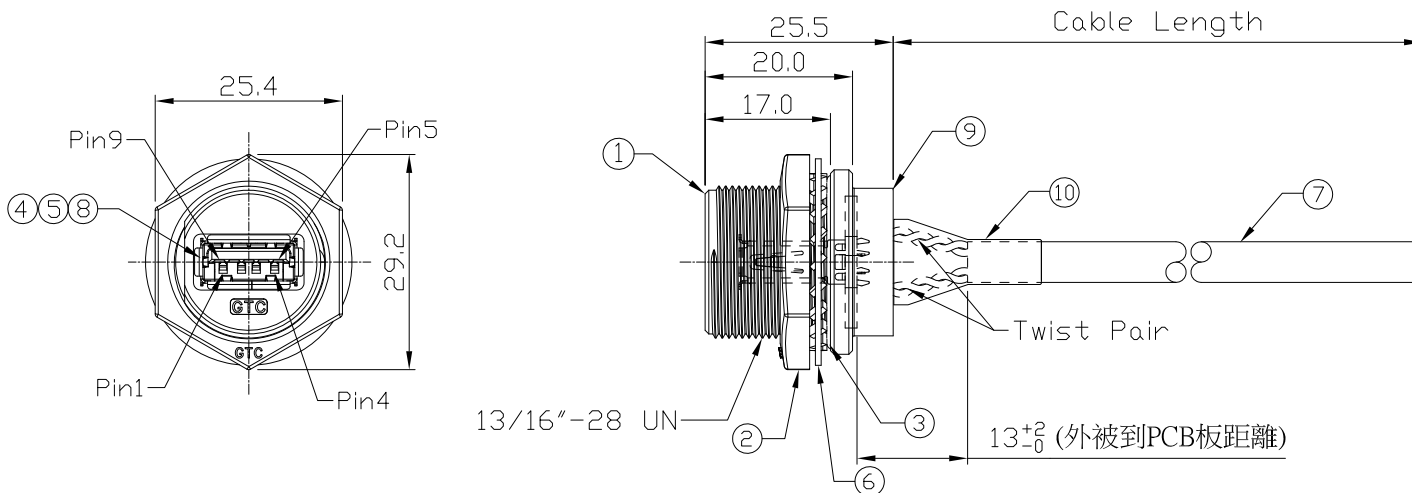


Notes: (Unless Otherwise Specified)

1. Waterproof Rate: IP68.
2. Recommend Panel Thickness: 0.8 to 6.0 mm.
3. Recommend Torque: 19~20 Kgf-cm.
4. Mating Cap P/N: GT2C2150X2/GT1C5331X2.
5. RoHS & REACH Compliant.

REV	ECN#	DESCRIPTION OF REVISION	DRAW BY DATE	CHECK BY DATE	APPROVE BY DATE
02	ECN-170509	增加導電銅箔的位置示意圖 $\Delta$ 02	Joyce 05/12/17	Lucas 05/12/17	Ray 05/12/17

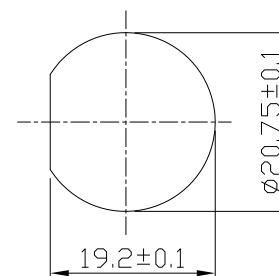
GTC  
DOC.CENTER.ISSUE  
MAY.15.2017  
ONLY FOR  
RELEASE



USB3.0兩對線鋁箔跟PCB板距離2~3mm  
編織需跟雙面導電銅箔導通跟PCB板距離4~5mm

Item	Part Name	Material / Finish	Qty
10	Shrink Tube	L=25mm, Heat Shrink Tube With Adhesive Lined Color: Black	1
9	Glue	Epoxy Color: Black	1
8	PCB	FR-4 Color: Green	1
7	Cable	UL2725 (1P*28AWG+EAM)*2+(1PR*28AWG+A)+2C*22AWG+AB 85% Color: Black, OD=5.5mm	1
6	Metal Washer	SUS	1
5	EMI Shielded Plate	Copper Finish: Ni Plated	1
4	USB-A 3.0 Receptacle	Housing: Thermoplastic, Color: Blue Contacts: Copper Alloy, Finish: Au Plated Shell: Stainless, Finish: Non	1
3	O-Ring	Silicone Color: Red	1
2	Hex Nut	Zn Alloy Finish: Ni Plated	1
1	Housing	Zn Alloy Finish: Ni Plated	1

Color	Wire
Red	1
White	2
Green	3
Black	4
Blue	5
Yellow	6
Drain	7
Purple	8
Orange	9
Braid	Shell



Recommend  
Panel Cut-Out

Part No.	Cable Length	Tol.
GT218300-01-02	2000 mm	±100
GT218300-01-01	1000 mm	±50
GT218300-01-29	900 mm	±40
GT218300-01-28	800 mm	±40
GT218300-01-27	700 mm	±40
GT218300-01-26	600 mm	±40
GT218300-01-25	500 mm	±40
GT218300-01-24	400 mm	±20
GT218300-01-23	300 mm	±20
GT218300-01-22	200 mm	±10
GT218300-01-21	100 mm	±10

Wiring Diagram

GT Contact CO.,LTD

NOTICE OF PROPRIETARY PROPERTY:

THE INFORMATION CONTAINED HEREIN IS THE PROPRIETARY PROPERTY OF GT CONTACT CO.,LTD THE POSSESSOR AGREES TO THE FOLLOWING:  
(A) TO MAINTAIN THIS DOCUMENT IN CONFIDENCE  
(B) NOT TO REPRODUCE OR COPY IT  
(C) NOT TO REVEAL OR PUBLISH IT IN WHOLE OR PART  
(D) ALL RIGHTS RESERVED

TITLE						DRAWING NUMBER			REV.
USB-A 3.0 Metal C3 Panel Jack Screw With Cable						GT218300-01-XX			02
THIRD ANGLE PROJECTION	SIZE	SCALE	DRAW / DATE	CHECK / DATE	APPROVE / DATE	TOLERANCES	UNIT	SHEET	
	B	1:1	Lucas 09/07/15	Lucas 09/07/15	Ray 09/07/15	X.X ± 0.5 X.XX ± 0.2	mm	1/1	
						X.XXX ± 0.05 ANGLES ± 1°			