

1

2

3

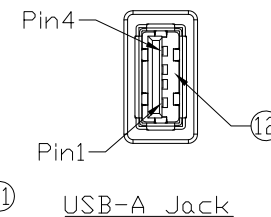
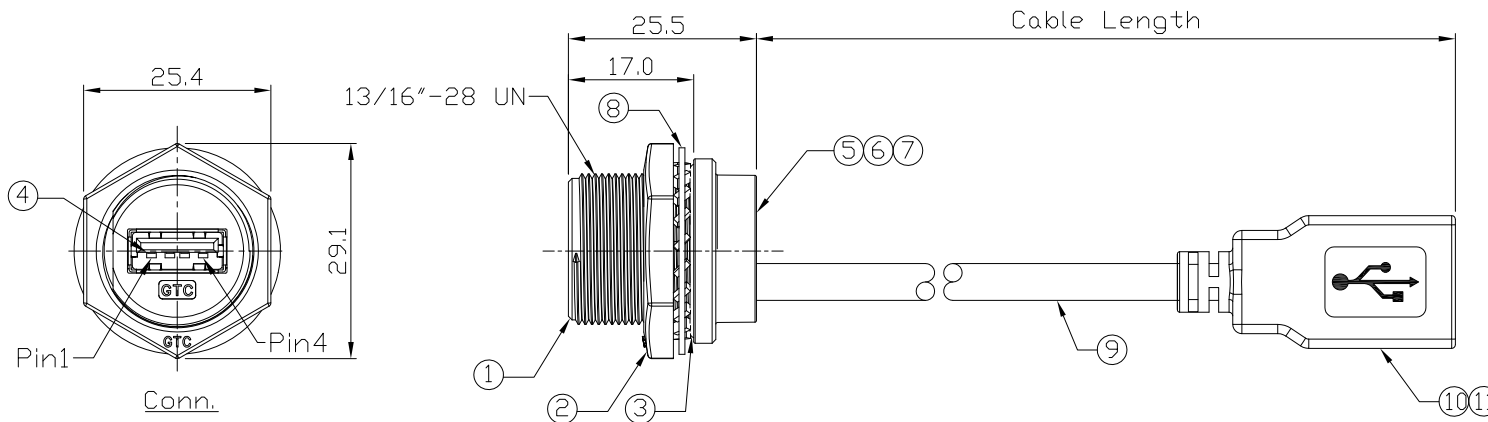
4

Notes: (Unless Otherwise Specified)

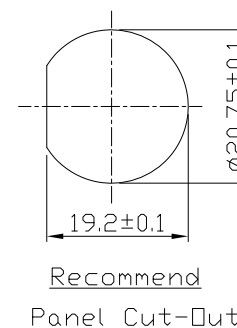
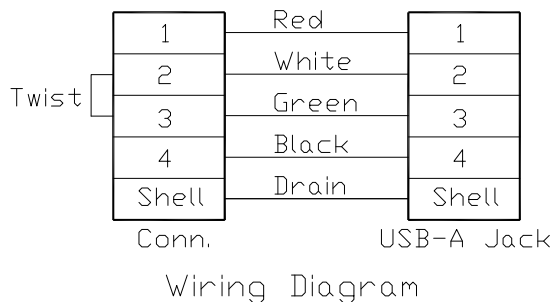
- 1. Waterproof Rate: IP68.
- 2. Recommend Panel Thickness: 0.8 to 6.0 mm.
- 3. Recommend Torque: 19~20 Kgf-cm.
- 4. Mating Cap P/N: GT2C2150X2/GT1C5331X2.
- 5. RoHS Compliant.

REV	ECN#	DESCRIPTION OF REVISION	DRAW BY DATE	CHECK BY DATE	APPROVE BY DATE
A0		Mass Production	Joyce 08/14/14	Lucas 08/14/14	Ray 08/14/14

GTC  
 DOC.CENTER.ISSUE  
 AUG.14.2014  
 ONLY FOR  
 RELEASE



12	USB-A Receptacle	Housing: Thermoplastic, Color: White Contacts: Copper Alloy, Finish: Gold Flash Shell: SPCC, Finish: Ni Plated	1
11	Over Mold	PVC Color: Black	1
10	Inner Mold	Thermoplastic Color: White Or Black	1
9	Cable	UL2725 1P*28AWG+2C*24AWG+Al/My+D+B DD=5.0mm, Color: Black	1
8	Metal Washer	SUS Finish: -	1
7	EMI Shielded Plate	Copper Finish: Ni Plated	1
6	Glue	Epoxy Color: Black	
5	PCB	FR-4 Color: -	1
4	USB-A Receptacle	Housing: Thermoplastic, Color: Black Contacts: Copper Alloy, Finish: Au Plated Shell: Copper Alloy, Finish: Ni Plated	1
3	O-Ring	Silicone Color: Red	1
2	Hex Nut	Zn Alloy Finish: Ni Plated	1
1	Housing	Zn Alloy Finish: Ni Plated	1
Item	Part Name	Material / Finish	Qty



GT216300-06-01	1000 mm	±50
GT216300-06-Z9	900 mm	±40
GT216300-06-Z8	800 mm	±40
GT216300-06-Z7	700 mm	±40
GT216300-06-Z6	600 mm	±40
GT216300-06-Z5	500 mm	±40
GT216300-06-Z4	400 mm	±20
GT216300-06-Z3	300 mm	±20
GT216300-06-Z2	200 mm	±10
GT216300-06-Z1	100 mm	±10
Part No.	Cable Length	Tol.

GT Contact CO.,LTD

NOTICE OF PROPRIETARY PROPERTY:

THE INFORMATION CONTAINED HEREIN IS THE PROPRIETARY PROPERTY OF GT CONTACT CO.,LTD THE POSSESSOR AGREES TO THE FOLLOWING:  
 (1) TO MAINTAIN THIS DOCUMENT IN CONFIDENCE  
 (2) NOT TO REPRODUCE OR COPY IT  
 (3) NOT TO REVEAL OR PUBLISH IT IN WHOLE OR PART  
 (4) ALL RIGHTS RESERVED

TITLE						DRAWING NUMBER			REV.	
USB-A Metal C3 Panel Jack Screw With Cable + USB-A Receptacle						GT216300-06-XX			A0	
	B	1:1	Joyce 08/14/14	Lucas 08/14/14	Ray 08/14/14	X.X ± 0.5 X.XX ± 0.2	X.XXX ± 0.05 ANGLES ± 1°	mm	1/1	
THIRD ANGLE PROJECTION	SIZE	SCALE	DRAW / DATE	CHECK / DATE	APPROVE / DATE	TOLERANCES		UNIT	SHEET	

1

2

3

4