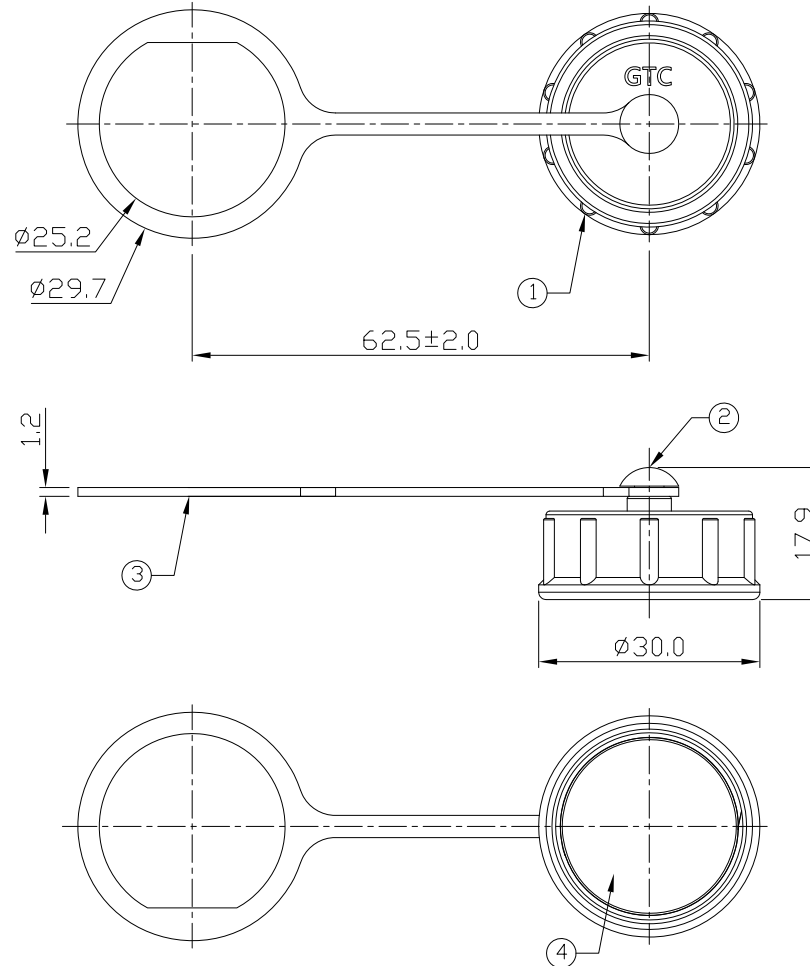


Notes: (Unless Otherwise Specified)

1. Waterproof Rate : IP67.
2. RoHS Compliant.

REV	ECN#	DESCRIPTION OF REVISION	DRAW BY DATE	CHECK BY DATE	APPROVE BY DATE
A3	ECN-200915	Change The Material Of Rubber Chain, TPE -> NBR.	Aileen 09/17/20	Lucas 09/17/20	Ray 09/17/20



4	Rubber Pad	Silicone Color: Black	1
3	Rubber Chain	NBR Color: Black	1
2	Plastic Rivet	Thermoplastic Color: Black	1
1	Screw Cap	Thermoplastic Color: Black	1
Item	Part Name	Material / Finish	Q'ty

△A3

TITLE						DRAWING NUMBER			REV.
Cap Plastic For C4 Screw Panel With Rubber Chain						GT1C543122			A3
	B	1:1	Vicky 04/11/11	Lucas 04/11/11	Ray 04/11/11	X.X ± 0.5 X.XX ± 0.2	X.XXX ± 0.05 ANGLES ± 1°	mm	1/1
THIRD ANGLE PROJECTION	SIZE	SCALE	DRAW / DATE	CHECK / DATE	APPROVE / DATE	TOLERANCES		UNIT	SHEET

GT Contact CO.,LTD

NOTICE OF PROPRIETARY PROPERTY:
 THE INFORMATION CONTAINED HEREIN IS THE PROPRIETARY PROPERTY OF GT Contact CO.,LTD THE POSSESSOR AGREES TO THE FOLLOWING:
 (i) TO MAINTAIN THIS DOCUMENT IN CONFIDENCE
 (ii) NOT TO REPRODUCE OR COPY IT
 (iii) NOT TO REVEAL OR PUBLISH IT IN WHOLE OR PART
 (iv) ALL RIGHTS RESERVED