

1

2

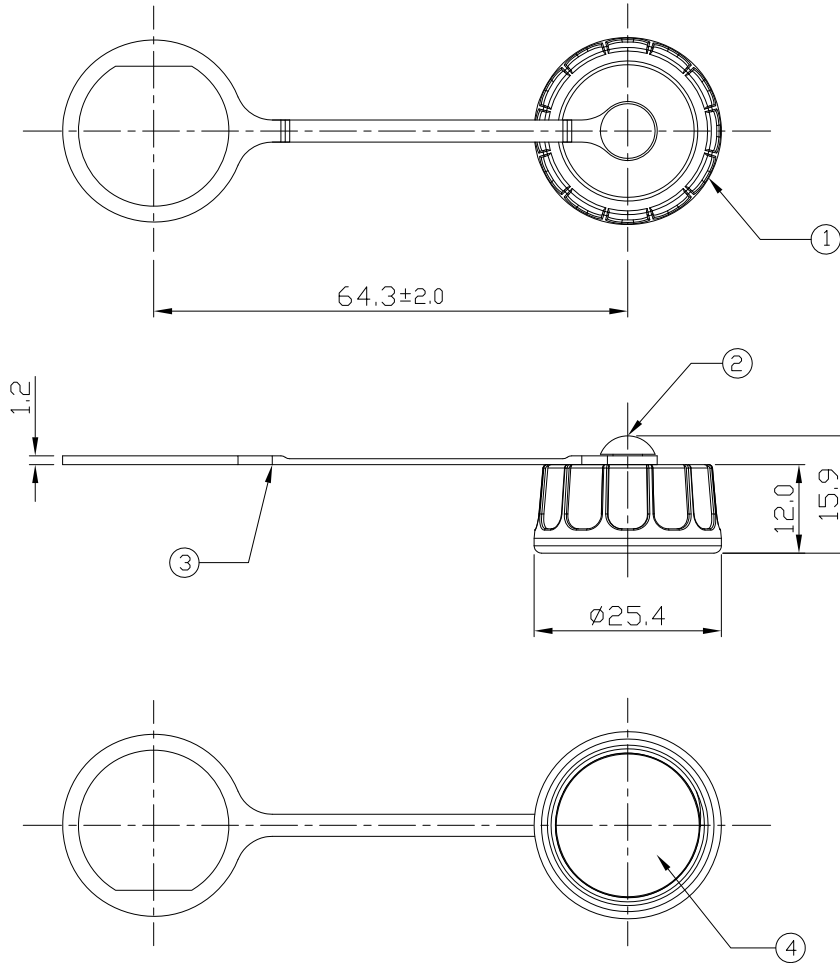
3

4

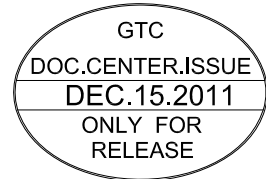
Notes: (Unless Otherwise Specified)

- 1. Waterproof Rate: IP67.
- 2. RoHS Compliant.

REV	ECN#	DESCRIPTION OF REVISION	DRAW BY DATE	CHECK BY DATE	APPROVE BY DATE
A0		Mass Production	Joyce 12/15/11	Lucas 12/15/11	Ray 12/15/11



4	Rubber Pad	Silicone Color: Black	1
3	Plastic Chain	Thermoplastic Color: Black	1
2	Plastic Rivet	Thermoplastic Color: Black	1
1	Screw Cap	Thermoplastic Color: Black	1
Item	Part Name	Material / Finish	Qty



GT Contact CO.,LTD

NOTICE OF PROPRIETARY PROPERTY:  
 THE INFORMATION CONTAINED HEREIN IS THE PROPRIETARY PROPERTY OF GT Contact CO.,LTD THE POSSESSOR AGREES TO THE FOLLOWING:  
 (i) TO MAINTAIN THIS DOCUMENT IN CONFIDENCE  
 (ii) NOT TO REPRODUCE OR COPY IT  
 (iii) NOT TO REVEAL OR PUBLISH IT IN WHOLE OR PART  
 (iv) ALL RIGHTS RESERVED

TITLE						DRAWING NUMBER			REV.	
Cap Plastic For C3 Screw Panel With Plastic Chain Right D-Cut						GT1C533152			A0	
	B	1:1	Joyce 12/15/11	Lucas 12/15/11	Ray 12/15/11	X.X X.XX	± 0.5 ± 0.2	X.XXX ANGLES	± 0.05 ± 1°	mm 1/1
THIRD ANGLE PROJECTION	SIZE	SCALE	DRAW / DATE	CHECK / DATE	APPROVE / DATE	TOLERANCES			UNIT	SHEET

1

2

3

4