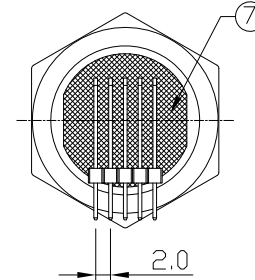
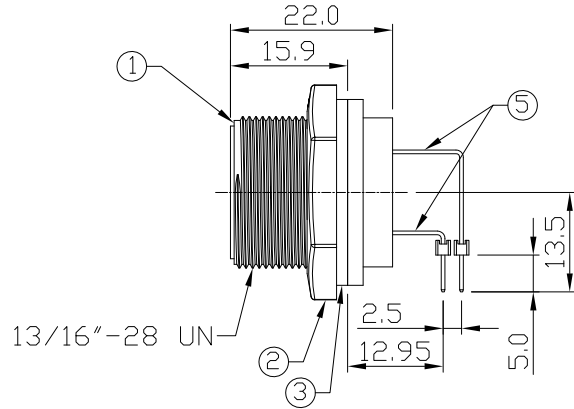
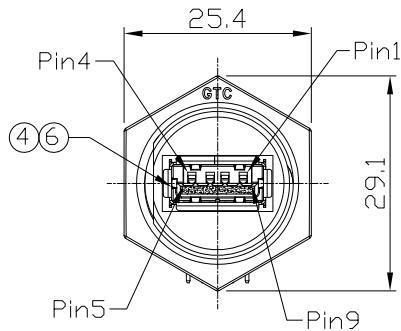


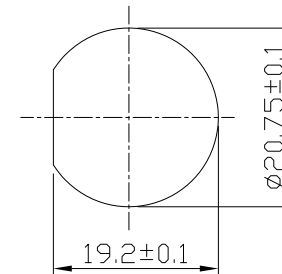
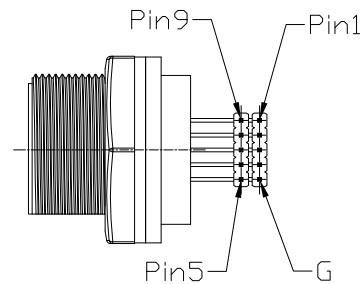
Notes: (Unless Otherwise Specified)

1. Waterproof Rate: IP67.
2. Recommend Panel Thickness: 0.8 to 6.0 mm.
3. Recommend Torque: 14~15 Kgf-cm.
4. Mating Cap P/N: GT1C5331X2.
5. RoHS Compliant.

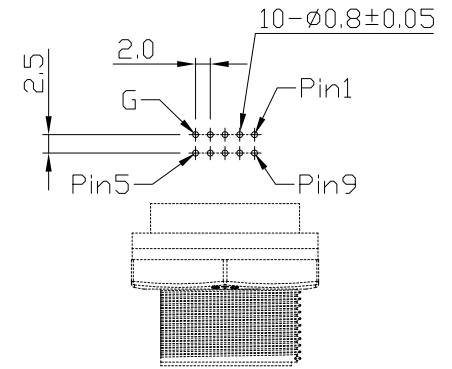
REV	ECN#	DESCRIPTION OF REVISION	DRAW BY DATE	CHECK BY DATE	APPROVE BY DATE
A0	ECN-211005	Change The PCB Assembly Directions	Aileen 10/06/21	Lucas 10/06/21	Ray 10/06/21
A1	ECN-220104	Change The Pin Header Housing Material: Thermoplastic to PA6T.	Aileen 01/04/22	Lucas 01/04/22	Ray 01/04/22



GTC  
DOC.CENTER.ISSUE  
JAN.04.2022  
ONLY FOR  
RELEASE



Recommend  
Panel Cut-Out



Recommend  
PCB Layout

7	Glue	Epoxy Color: Black	
6	PCB	FR-4 Color: Green	1
5	Pin Header	Housing: PA6T, Color: Black Contacts: Copper Alloy, Finish: Au Plated	2
4	USB-A 3.0 Receptacle	Housing: Thermoplastic, Color: Blue Contacts: Copper Alloy, Finish: Au Plated Shell: Stainless, Finish: Non	1
3	Gasket	Silicone Color: Black	1
2	Hex Nut	Thermoplastic Color: Black	1
1	Housing	Thermoplastic Color: Black	1
Item	Part Name	Material / Finish	Q'ty

A1

TITLE						DRAWING NUMBER			REV.
USB-A 3.0 Plastic C3 Panel Jack Dip 90° Screw						GT118300-20			A1
THIRD ANGLE PROJECTION	SIZE	SCALE	DRAW / DATE	CHECK / DATE	APPROVE / DATE	TOLERANCES	UNIT	SHEET	
	B	1:1	Whitney 03/09/20	Lucas 03/09/20	Ray 03/09/20	X.X ± 0.5 X.XX ± 0.2	X.XXX ± 0.05 ANGLES ± 1°	mm 1/1	

GT Contact CO.,LTD

NOTICE OF PROPRIETARY PROPERTY:  
THE INFORMATION CONTAINED HEREIN IS THE PROPRIETARY PROPERTY OF GT Contact CO.,LTD THE POSSESSOR AGREES TO THE FOLLOWING:  
(a) TO MAINTAIN THIS DOCUMENT IN CONFIDENCE  
(b) NOT TO REPRODUCE OR COPY IT  
(c) NOT TO REVEAL OR PUBLISH IT IN WHOLE OR PART  
(d) ALL RIGHTS RESERVED