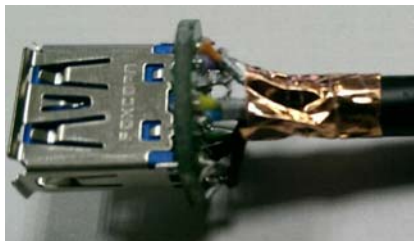
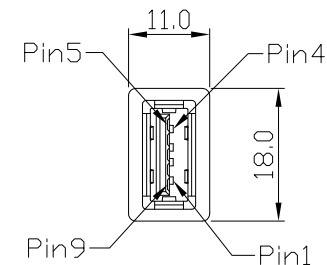
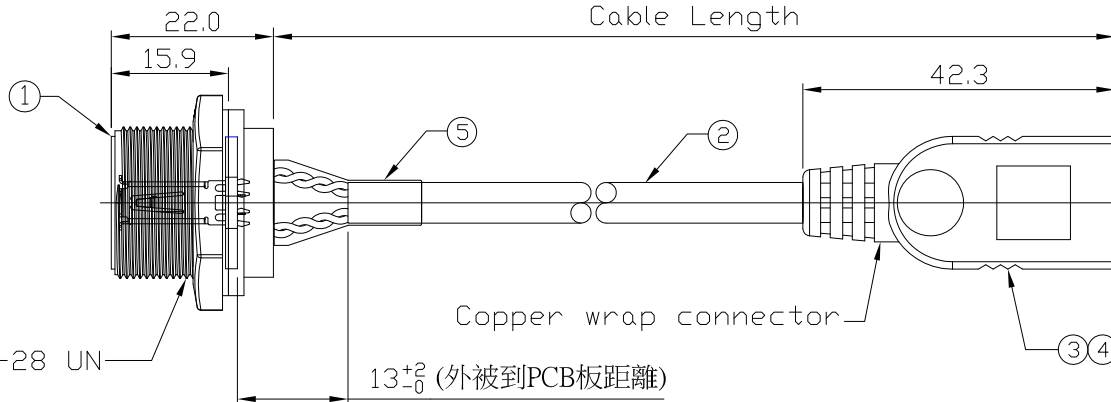
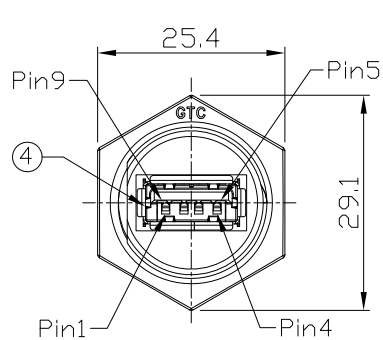


Notes: (Unless Otherwise Specified)

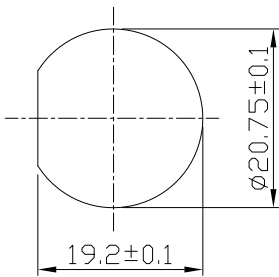
- 1. Waterproof Rate: IP67.
- 2. Recommend Panel Thickness: 0.8 to 6.0 mm.
- 3. Recommend Torque: 14~15 Kgf-cm.
- 4. Mating Cap P/N: GT1C5331X2.
- 5. RoHS & REACH Compliant.

REV	ECN#	DESCRIPTION OF REVISION	DRAW BY DATE	CHECK BY DATE	APPROVE BY DATE
05	ECN-170506	增加導電銅箔的位置示意圖 05	Joyce 05/12/17	Lucas 05/12/17	Ray 05/12/17



USB3.0兩對線鋁箔跟PCB板距離2~3mm  
編織需跟雙面導電銅箔導通跟PCB板距離4~5mm

GTC  
DOC.CENTER.ISSUE  
MAY.12.2017  
ONLY FOR  
RELEASE



Recommend  
Panel Cut-Out

Wire Color	Wire Color	Wire Color
1	Red	1
2	White	2
3	Green	3
4	Black	4
5	Blue	5
6	Yellow	6
7	Drain	7
8	Purple	8
9	Orange	9
Shell	Braid	Shell

Wiring Diagram

Part No.	Cable Length	Tol.
GT118300-03-02	2000 mm	±100
GT118300-03-01	1000 mm	±50
GT118300-03-29	900 mm	±40
GT118300-03-28	800 mm	±40
GT118300-03-27	700 mm	±40
GT118300-03-26	600 mm	±40
GT118300-03-25	500 mm	±40
GT118300-03-24	400 mm	±20
GT118300-03-23	300 mm	±20
GT118300-03-22	200 mm	±10
GT118300-03-21	100 mm	±10

Item	Part Name	Material / Finish	Q'ty
5	Shrink Tube	L=25mm, Heat Shrink Tube With Adhesive Lined Color: Black	1
4	Over Mold	PVC Color: Black	1
3	USB-A 3.0 Receptacle	Housing: Thermoplastic, Color: Blue Contacts: Copper Alloy, Finish: Au Plated Shell: Copper Alloy, Finish: Au Plated	1
2	Cable	UL2725 (1P*28AWG+EAM)*2+(1PR*28AWG+A)+2C*22AWG+AB 85% Color: Black, OD=5.5mm	1
1	USB-A 3.0 C3 Panel Jack	GT Contact P/N: GT118300-01-XX	1

TITLE						DRAWING NUMBER			REV.	
USB-A 3.0 Plastic C3 Panel Jack Screw With USB-A 3.0 Receptacle						GT118300-03-XX			05	
THIRD ANGLE PROJECTION	SIZE	SCALE	DRAW / DATE	CHECK / DATE	APPROVE / DATE	X.X ± 0.5 X.XX ± 0.2	X.XXX ± 0.05 ANGLES ± 1°	mm	1/1	
						TOLERANCES		UNIT	SHEET	

GT Contact CO.,LTD

NOTICE OF PROPRIETARY PROPERTY:  
THE INFORMATION CONTAINED HEREIN IS THE PROPRIETARY PROPERTY OF GT Contact CO.,LTD THE POSSESSOR AGREES TO THE FOLLOWING:  
(i) TO MAINTAIN THIS DOCUMENT IN CONFIDENCE  
(ii) NOT TO REPRODUCE OR COPY IT  
(iii) NOT TO REVEAL OR PUBLISH IT IN WHOLE OR PART  
(iv) ALL RIGHTS RESERVED