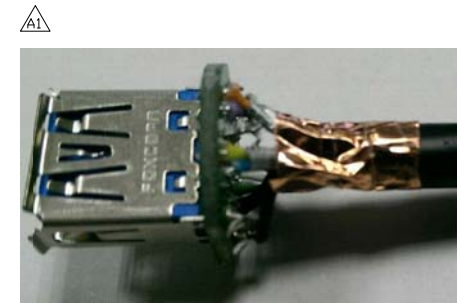
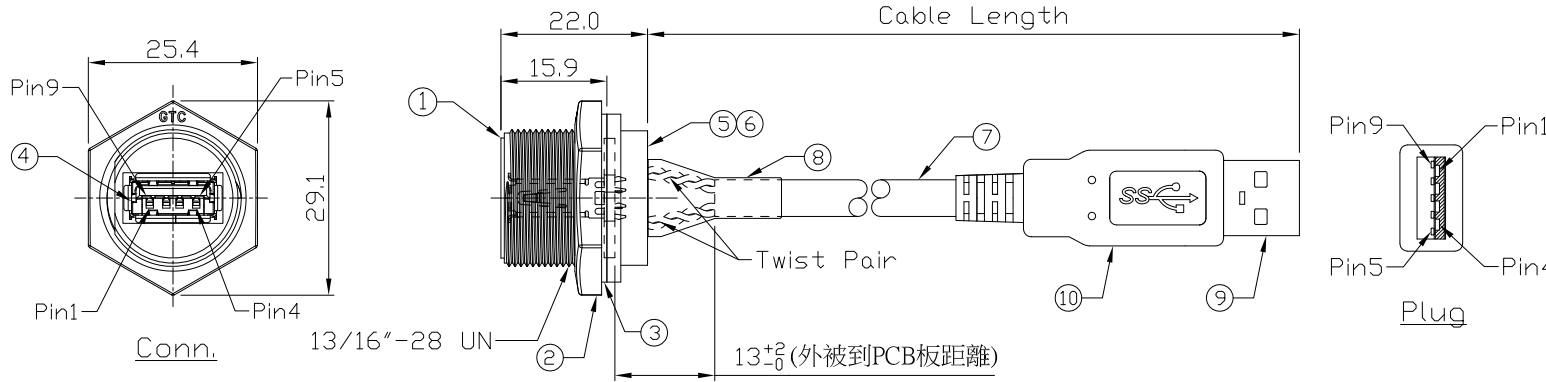


Notes: (Unless Otherwise Specified)

- 1. Waterproof Rate: IP67.
- 2. Recommend Panel Thickness: 0.8 to 6.0 mm.
- 3. Recommend Torque: 14~15 Kgf-cm.
- 4. Mating Cap P/N: GT1C5331X2.
- 5. RoHS & REACH Compliant.

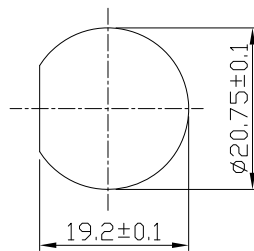
REV	ECN#	DESCRIPTION OF REVISION	DRAW BY DATE	CHECK BY DATE	APPROVE BY DATE
A1	ECN-170506	增加導電銅箔的位置示意圖 Heat Shrink Tube With Adhesive Lined <span style="border: 1px solid black; border-radius: 50%; padding: 2px;">A1</span>	Joyce 05/12/17	Lucas 05/12/17	Ray 05/12/17

GTC  
DOC.CENTER.ISSUE  
**MAY.12.2017**  
ONLY FOR  
RELEASE



USB3.0兩對線鋁箔跟PCB板距離2~3mm  
編織需跟雙面導電銅箔導通跟PCB板距離4~5mm

Item	Part Name	Material / Finish	Q'ty
10	Over Mold	PVC Color: Black	1
9	USB-A 3.0 Plug	Housing: Thermoplastic, Color: Blue Contacts: Copper Alloy, Finish: Au Plated Shell: SPCC, Finish: Ni Plated	1
8	Shrink Tube	L=25mm, Heat Shrink Tube With Adhesive Lined Color: Black	1 <span style="border: 1px solid black; border-radius: 50%; padding: 2px;">A1</span>
7	Cable	UL2725 (1P*28AWG+EAM)*2+(1PR*28AWG+A)+2C*22AWG+AB 85% Color: Black, OD=5.5mm	1
6	Glue	Epoxy Color: Black	
5	PCB	FR-4 Color: —	1
4	USB-A 3.0 Receptacle	Housing: Thermoplastic, Color: Blue Contacts: Copper Alloy, Finish: Au Plated Shell: Copper Alloy, Finish: Ni Plated	1
3	Gasket	Silicone Color: Black	1
2	Hex Nut	Thermoplastic Color: Black	1
1	Housing	Thermoplastic Color: Black	1



Recommend  
Panel Cut-Out

Conn.	Color	Plug
1	Red	1
2	White	2
3	Green	3
4	Black	4
5	Blue	5
6	Yellow	6
7	Drain	7
8	Purple	8
9	Orange	9
Shell	Braid	Shell

Wiring Diagram

Part No.	Cable Length	Tol.
GT118300-02-02	2000 mm	±100
GT118300-02-01	1000 mm	±50
GT118300-02-Z9	900 mm	±40
GT118300-02-Z8	800 mm	±40
GT118300-02-Z7	700 mm	±40
GT118300-02-Z6	600 mm	±40
GT118300-02-Z5	500 mm	±40
GT118300-02-Z4	400 mm	±20
GT118300-02-Z3	300 mm	±20
GT118300-02-Z2	200 mm	±10
GT118300-02-Z1	100 mm	±10

GT Contact CO.,LTD

NOTICE OF PROPRIETARY PROPERTY:

THE INFORMATION CONTAINED HEREIN IS THE PROPRIETARY PROPERTY OF GT CONTACT CO.,LTD THE POSSESSOR AGREES TO THE FOLLOWING:  
 (1) TO MAINTAIN THIS DOCUMENT IN CONFIDENCE  
 (2) NOT TO REPRODUCE OR COPY IT  
 (3) NOT TO REVEAL OR PUBLISH IT IN WHOLE OR PART  
 (4) ALL RIGHTS RESERVED

TITLE						DRAWING NUMBER			REV.	
USB-A 3.0 Plastic C3 Panel Jack Screw With Cable + USB-A 3.0 Plug						GT118300-02-XX			A1	
	B	N/A	Joyce 12/05/13	Lucas 12/05/13	Ray 12/05/13	XX ± 0.5	X.XXX ± 0.05	ANGLES ± 1°	mm	1/1
THIRD ANGLE PROJECTION	SIZE	SCALE	DRAW / DATE	CHECK / DATE	APPROVE / DATE	TOLERANCES			UNIT	SHEET