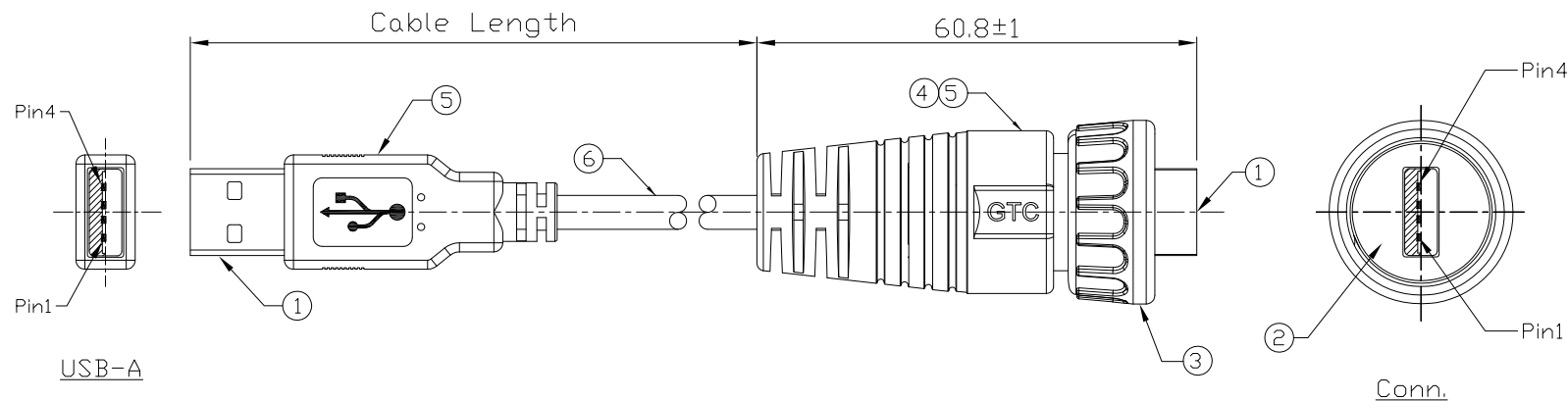


Notes: (Unless Otherwise Specified)

1. Waterproof Rate: IP67.
2. RoHS Compliant.

| REV | ECN# | DESCRIPTION OF REVISION | DRAW BY DATE     | CHECK BY DATE   | APPROVE BY DATE |
|-----|------|-------------------------|------------------|-----------------|-----------------|
| A0  |      | Mass Production         | Hank<br>04/17/14 | Ray<br>04/17/14 | Ray<br>04/17/14 |



|                |              |      |
|----------------|--------------|------|
| GT116320-05-10 | 10000 mm     | +500 |
| GT116320-05-09 | 9000 mm      | +450 |
| GT116320-05-08 | 8000 mm      | +400 |
| GT116320-05-07 | 7000 mm      | +150 |
| GT116320-05-06 | 6000 mm      | +150 |
| GT116320-05-05 | 5000 mm      | +150 |
| GT116320-05-04 | 4000 mm      | +150 |
| GT116320-05-03 | 3000 mm      | +100 |
| GT116320-05-02 | 2000 mm      | +100 |
| GT116320-05-01 | 1000 mm      | +50  |
| GT116320-05-Z9 | 900 mm       | +50  |
| GT116320-05-Z8 | 800 mm       | +50  |
| GT116320-05-Z7 | 700 mm       | +50  |
| GT116320-05-Z6 | 600 mm       | +50  |
| GT116320-05-Z5 | 500 mm       | +50  |
| GT116320-05-Z4 | 400 mm       | +50  |
| GT116320-05-Z3 | 300 mm       | +25  |
| GT116320-05-Z2 | 200 mm       | +25  |
| Part No.       | Cable Length | Tol. |

GTC  
DOC.CENTER.ISSUE  
APR.23.2014  
ONLY FOR  
RELEASE



Wiring Diagram

|      |            |  |      |
|------|------------|--|------|
| 6    | Cable      | UL2725 1P*28AWG+2C*24AWG+Al/My+D+B<br>Color: Black, OD=5.0mm   | 1    |
| 5    | Over Mold  | PVC<br>Color: Black  | 2    |
| 4    | Inner Mold | Thermoplastic<br>Color: Black  | 1    |
| 3    | Screw Nut  | Thermoplastic<br>Color: Black  | 1    |
| 2    | Rubber Pad | Silicone<br>Color: Black   | 1    |
| 1    | USB-A Plug | Housing: Thermoplastic, Color: Black<br>Contacts: Copper Alloy, Finish: Au Plated<br>Shell: Cold Roll Steel, Finish: Ni Plated | 2    |
| Item | Part Name  | Material / Finish  | Q'ty |

| TITLE   |      |       |             |              |                | DRAWING NUMBER          |                             |      | REV.  |
|---|------|-------|-------------|--------------|----------------|-------------------------|-----------------------------|------|-------|
| USB-A Plastic C3 Cable End Plug Screw With USB-A Plug |      |       |             |              |                | GT116320-05-XX          |                             |      | A0    |
| THIRD ANGLE PROJECTION                                | SIZE | SCALE | DRAW / DATE | CHECK / DATE | APPROVE / DATE | X.X ± 0.5<br>X.XX ± 0.2 | X.XXX ± 0.05<br>ANGLES ± 1° | mm   | 1/1   |
|   |      |       |             |              |                | TOLERANCES              |                             | UNIT | SHEET |

GT Contact CO.,LTD

NOTICE OF PROPRIETARY PROPERTY:  
THE INFORMATION CONTAINED HEREIN IS THE PROPRIETARY PROPERTY OF GT Contact CO.,LTD THE POSSESSOR AGREES TO THE FOLLOWING:  
(a) TO MAINTAIN THIS DOCUMENT IN CONFIDENCE  
(b) NOT TO REPRODUCE OR COPY IT  
(c) NOT TO REVEAL OR PUBLISH IT IN WHOLE OR PART  
(d) ALL RIGHTS RESERVED