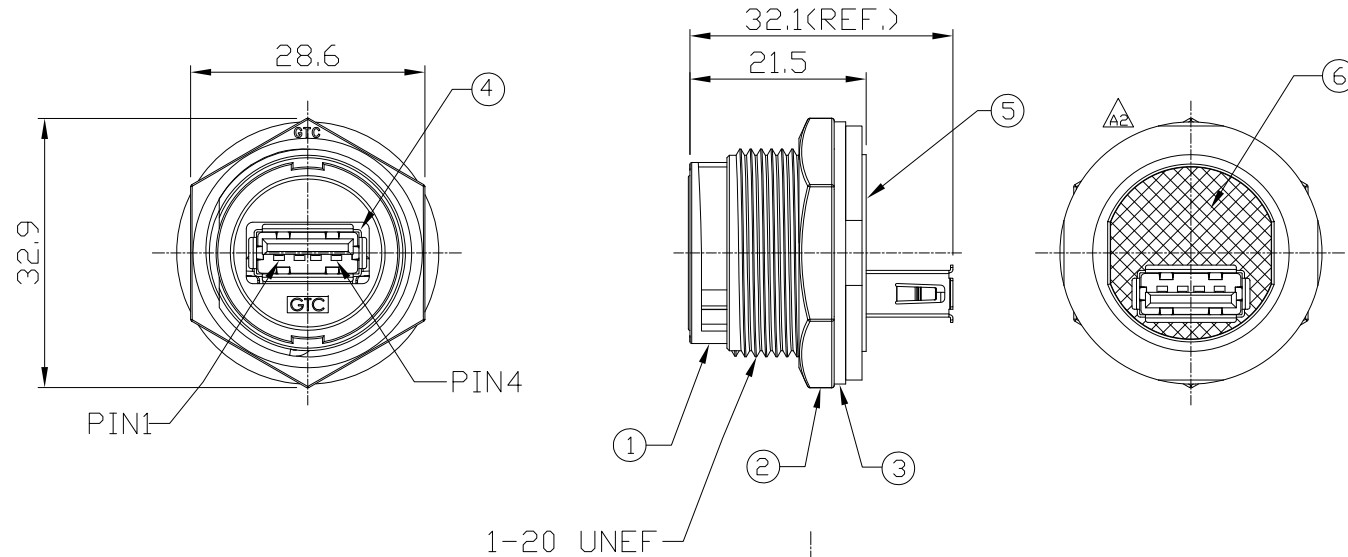


Notes: (Unless Otherwise Specified)

1. Waterproof Rate: IP67.
2. Recommend Panel Thickness: 0.8 to 6.0 mm.
3. Recommend Torque: 19~20 Kgf-cm.
4. Mating Cap P/N: GT1C1110X2.
5. RoHS Compliant.

REV	ECN#	DESCRIPTION OF REVISION	DRAW BY DATE	CHECK BY DATE	APPROVE BY DATE
A0		Mass Production	Edwin 12/10/09	Ray 12/10/09	Ray 12/10/09
A1	ECN-101013	Marked	Edwin 10/26/10	Ray 10/26/10	Ray 10/26/10
A2	ECN-140209	Marked	Edwin 02/20/14	Ray 02/20/14	Ray 02/20/14



GTC
DOC.CENTER.ISSUE
FEB.20.2014
ONLY FOR
RELEASE

Recommend
Panel Cut-Out

6	Glue	Epoxy Color: Black	
5	PCB	FR-4 Color: <u> </u>	1
4	USB-A Receptacle	Housing: Thermoplastic, Color: Black	2
		Contacts: Copper Alloy, Finish: Au Plated Shell: Copper Alloy, Finish: Ni Plated	
3	Gasket	Silicone Color: Black	1
2	Hex Nut	Thermoplastic Color: Black	1
1	Housing	Thermoplastic Color: Black	1
Item	Part Name	Material / Finish	QTY

TITLE						DRAWING NUMBER			REV.
USB-A Plastic C4 Panel Jack With USB-A Jack Lock						GT111200-30			A2
	B	1:1	Edwin 12/10/09	Ray 12/10/09	Ray 12/10/09	X.X ± 0.5 X.XX ± 0.2	X.XXX ± 0.05 ANGLES ± 1°	mm	1/1
THIRD ANGLE PROJECTION	SIZE	SCALE	DRAW / DATE	CHECK / DATE	APPROVE / DATE	TOLERANCES		UNIT	SHEET

GT Contact CO.,LTD

NOTICE OF PROPRIETARY PROPERTY:
THE INFORMATION CONTAINED HEREIN IS THE PROPRIETARY PROPERTY OF GT Contact CO.,LTD THE POSSESSOR AGREES TO THE FOLLOWING:
(i) TO MAINTAIN THIS DOCUMENT IN CONFIDENCE
(ii) NOT TO REPRODUCE OR COPY IT
(iii) NOT TO REVEAL OR PUBLISH IT IN WHOLE OR PART
(iv) ALL RIGHTS RESERVED