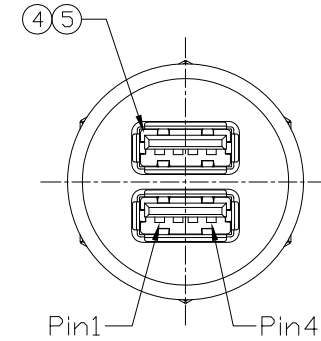
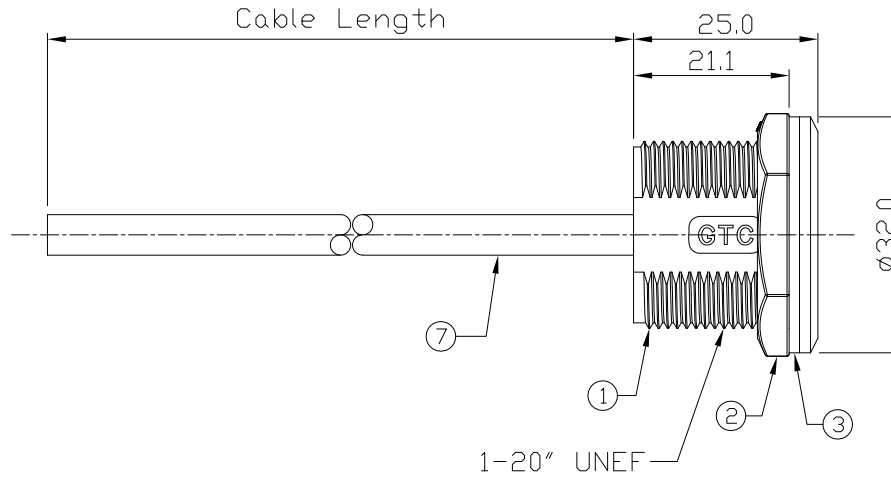
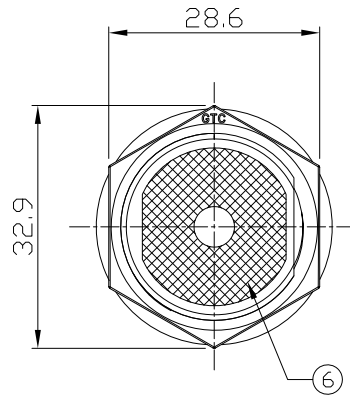


Notes: (Unless Otherwise Specified)

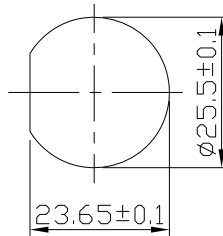
1. Waterproof Rate: IP67.
2. Recommend Panel Thickness: 0.8 to 12.0 mm.
3. Recommend Torque: 19~20 Kgf-cm.
4. RoHS Compliant.

REV	ECN#	DESCRIPTION OF REVISION	DRAW BY DATE	CHECK BY DATE	APPROVE BY DATE
A0	ECN-200311	UL2725=>UL2464 2C*22AWG	Lucas 03/17/20	Lucas 03/17/20	Ray 03/17/20

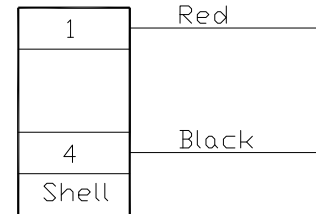


GTC
DOC.CENTER.ISSUE
MAR.17.2020
ONLY FOR
RELEASE

Item	Part Name	Material / Finish	QTY
7	Cable	UL2464 2C*22AWG+Al/My+D, DD=5.0mm Color: Black	1
6	Glue	Epoxy Color: Black	1
5	PCB	FR-4 Color: _____	1
4	USB-A Receptacle	Housing: Thermoplastic, Color: Black Contacts: Copper Alloy, Finish: Au Plated Shell: Copper Alloy, Finish: Ni Plated	2
3	Gasket	Silicone Color: Black	1
2	Hex Nut	Thermoplastic Color: Black	1
1	Housing	Thermoplastic Color: Black	1



Recommend
Panel Cut-Out



Wiring Diagram

Part No.	Cable Length	Tol.
GT1113B2-03-02	2000 mm	+100
GT1113B2-03-01	1000 mm	+50
GT1113B2-03-Z9	900 mm	+50
GT1113B2-03-Z8	800 mm	+50
GT1113B2-03-Z7	700 mm	+50
GT1113B2-03-Z6	600 mm	+50
GT1113B2-03-Z5	500 mm	+50
GT1113B2-03-Z4	400 mm	+50
GT1113B2-03-Z3	300 mm	+25
GT1113B2-03-Z2	200 mm	+25
GT1113B2-03-Z1	100 mm	+25

GT Contact CO.,LTD

NOTICE OF PROPRIETARY PROPERTY:
THE INFORMATION CONTAINED HEREIN IS THE PROPRIETARY PROPERTY OF GT Contact CO.,LTD THE POSSESSOR AGREES TO THE FOLLOWING:
(a) TO MAINTAIN THIS DOCUMENT IN CONFIDENCE
(b) NOT TO REPRODUCE OR COPY IT
(c) NOT TO REVEAL OR PUBLISH IT IN WHOLE OR PART
(d) ALL RIGHTS RESERVED

TITLE						DRAWING NUMBER			REV.
Dual USB-A Plastic C4 Panel Rear Mount Jack With Cable						GT1113B2-03-XX			A0
THIRD ANGLE PROJECTION	SIZE	SCALE	DRAW / DATE	CHECK / DATE	APPROVE / DATE	TOLERANCES		SHEET	
	B	1:1	Lucas 03/06/20	Lucas 03/06/20	Ray 03/06/20	X.X ± 0.5 X.XX ± 0.2	X.XXX ± 0.05 ANGLES ± 1°	mm 1/1	