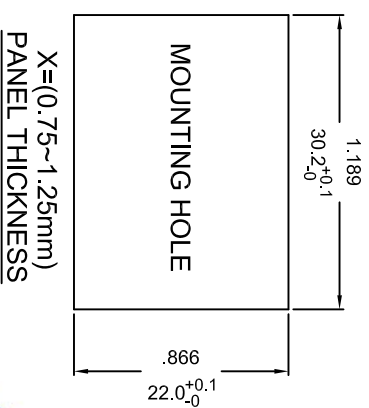
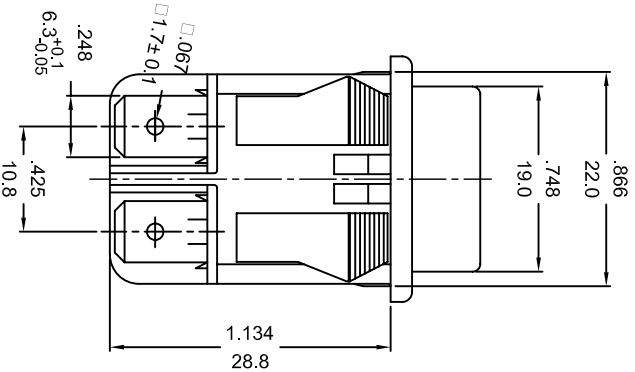
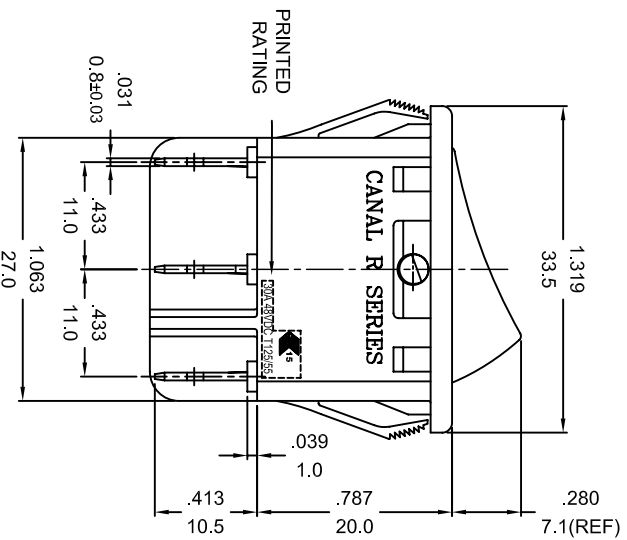


ROCKER SWITCH MODEL: R SERIES
 RATING: 30A 48VDC T125/55 (cURus/ENEC15)
 DIELECTRIC WITHSTAND VOLTAGE: 1500VAC 1 MIN
 INSULATION RESISTANCE:500VDC 100MΩ (MIN)
 CONTACT RESISTANCE:20mΩ INITIAL(MAX.)



NOTE: TOLERANCES UNLESS OTHERWISE SPECIFIED:±.012/0.3 (in/mm)

REVISION	DESCRIPTION	REVISED BY	TOLERANCES		ANGLE		SCALE	UNIT	PART NAME	PART NO	DWG NO
			DRAWN BY	CHECKED BY	DESIGNED BY	APPROVED BY					
△			張斌		杜家裕		5/4	mm	R SPEC DRAWING	R-220C9W-NBB6-119NC	S7899
△											
△											
△	2019.10.15	首次出圖	張斌								

