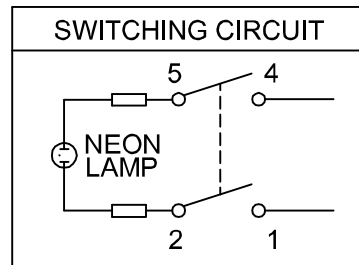
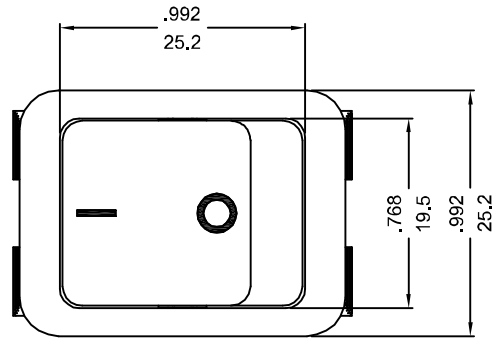


嘉尼企業股份有限公司 CANAL ELECTRONIC CO.,LTD.



ROCKER SWITCH MODEL: R SERIES

RATING: 16A 125/250VAC (UL/CUL)

20A 125VAC (UL/CUL)

16(4)A 250V~T125/55 (VDE/ENEC/CQC)

16(8)A 250V~T125/55 (VDE/ENEC/CQC)

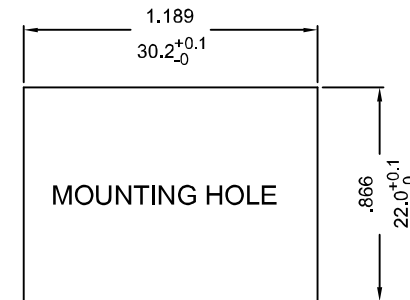
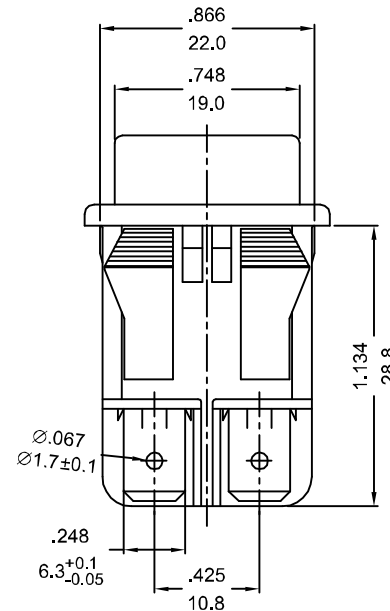
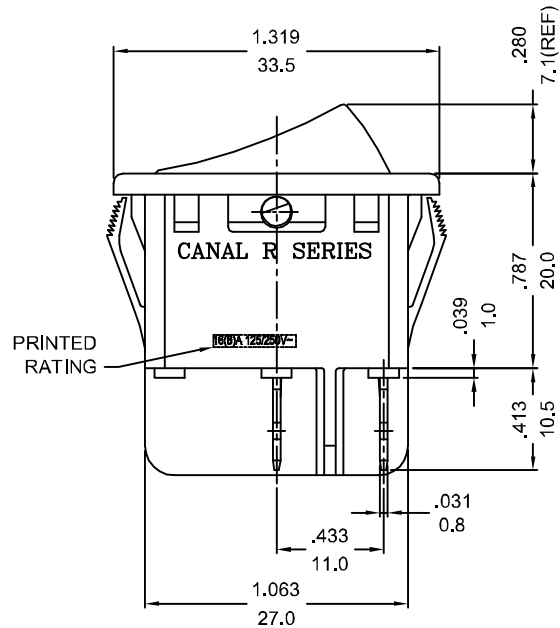
16(8)A 125/250V~ (cURus)

DIELECTRIC WITHSTAND VOLTAGE: 1000VAC 1 MIN

INSULATION RESISTANCE: 500VDC 100M Ω (MIN)

CONTACT RESISTANCE: 20m Ω INITIAL (MAX.)

ILLUMINATION: 100~125VAC



X=(0.75~1.25mm)
PANEL THICKNESS

NOTE: TOLERANCES UNLESS OTHERWISE SPECIFIED: ± .012/ 0.3 (in/mm)

REVISION	DESCRIPTION	REVISED BY	TOLERANCES		ANGLE 1/2°		UNIT	mm	PART NAME	DWG NO
			DRAWN BY	DESIGNED BY	SCALE					
④			張斌	杜家裕	5/4			R SPEC DRAWING	S8049A	
③										
②								R-210C5W-LBRB-119NC	S8049A	
①	首次出圖	張斌			2020.04.01					