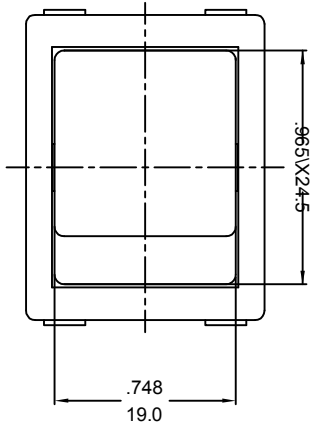
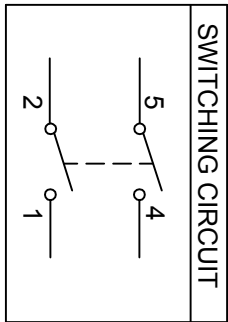


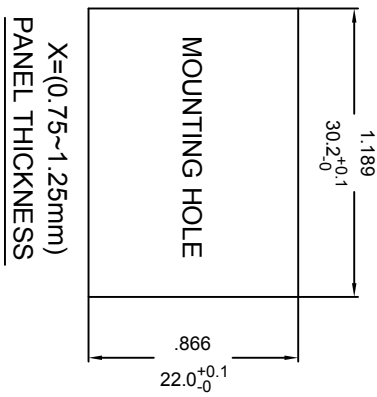
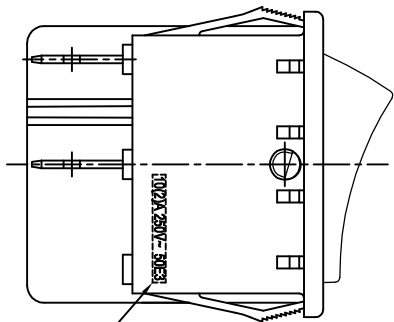
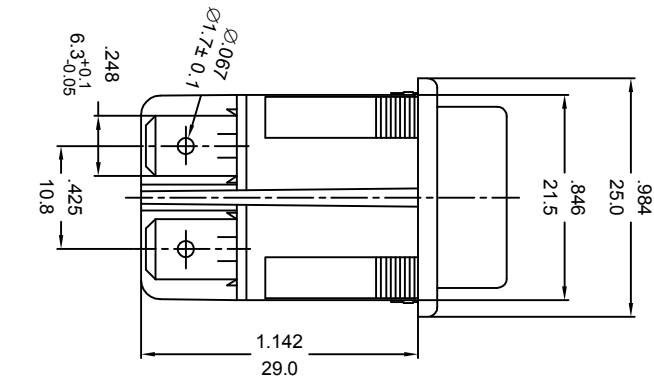
嘉尼企業股份有限公司 CANAL ELECTRONIC CO.,LTD.



(LEGEND COLOR: NONE)



(Pole on/off unilluminated)



Description	Material	Color	Flammability
Actuator	Nylon 66	Black	UL94 V-2
Base	Nylon 66	Black	UL94 V-2

ROCKER SWITCH MODEL: R SERIES
 RATING: 16(4)A 125/250V~ T125/55 (cURus/ENEC15)
 16(4)A 250V~T125/55 (VDE/ENEC/CQC)
 10(2)A 250V~ 50E3 (VDE/ENEC)
 DIELECTRIC WITHSTAND VOLTAGE: 1500VAC 1 MINUTE
 INSULATION RESISTANCE: 500VDC 100MΩ (MIN.)
 CONTACT RESISTANCE: 20mΩ INITIAL (MAX.)

NOTE: TOLERANCES UNLESS OTHERWISE SPECIFIED: ±.012/0.3 (in/mm)

REVISION	DESCRIPTION	REVISED BY	TOLERANCES		ANGLE 1/2°	SCALE	UNIT	PART NAME	PART NO	DWG NO
			DRAWN BY	CHECKED BY						
△			連志各		蔡劍	5/4	mm	R SPEC DRAWING		S8355A
△			連志各							
△	首次出圖		連志各					R-210C2N-NBB1-11DNH6		