

LED voltage selection		
Light Color	Operating voltage	Operating current
Red	1.9~2.2V DC	20mA(MAX)
Orange		
Yellow		
White	2.8~3.2V DC	
Blue		
Green		

ROCKER SWITCH MODEL MR-5 SERIES

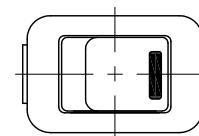
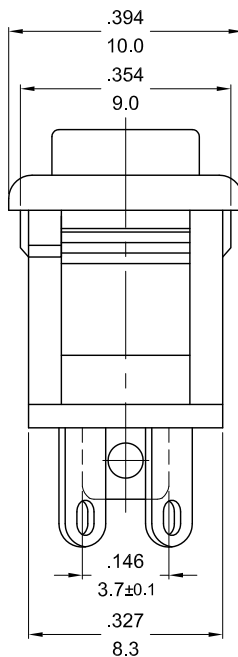
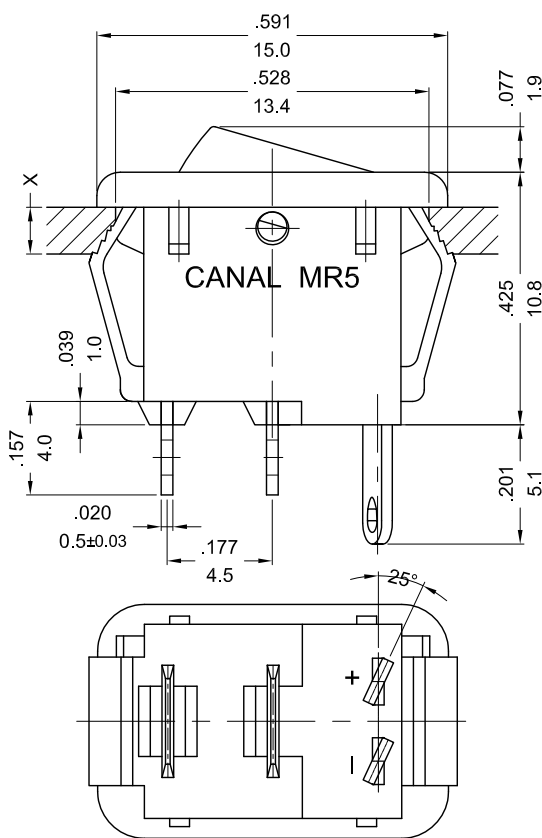
RATING: 3RA 250VAC (cURus,ENEC15)

6RA 125VAC (cURus,ENEC15)

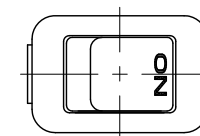
DIELECTRIC VOLTAGE-WITHSTAND:1,000VAC FOR 1 MINUTE

INSULATION RESISTANCE:DC 500V 100M Ω (MIN.)

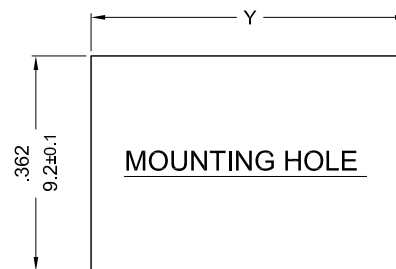
CONTACT RESISTANCE:20m Ω INITIAL (MAX.)



MARKING TYPE:E



MARKING TYPE:F



	X Panel Thickness	Y Cutout Dimension
A	0.75~1.0	.535/13.6 ^{+0.1} ₋₀
B	1.0~1.25	.535/13.8 ^{+0.1} ₋₀
C	1.25~1.5	.535/14.0 ^{+0.1} ₋₀

NOTE:TOLERANCES UNLESS OTHERWISE SPECIFIED:± .012/0.3 (in/mm)

REVISION	DESCRIPTION	REVISED BY	TOLERANCES		ANGLE $\frac{1}{2}^{\circ}$		UNIT	mm	PART NAME	DWG NO
△			DRAWN BY	趙超	DESIGNED BY	蔡劍	SCALE	3/1	MR5 SPEC DRAWING	S4920A
△			CHECKED BY		APPROVED BY		DATE	2012.10.11	MR5-111F*N1-*EA-0*2C	
△	2012.10.11 首次出圖	趙超								