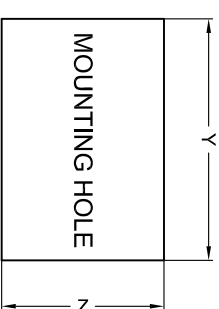
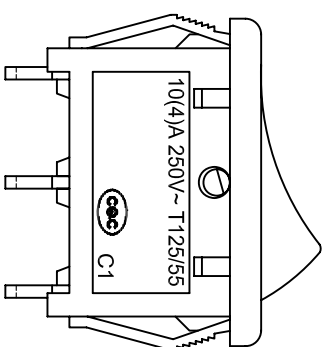
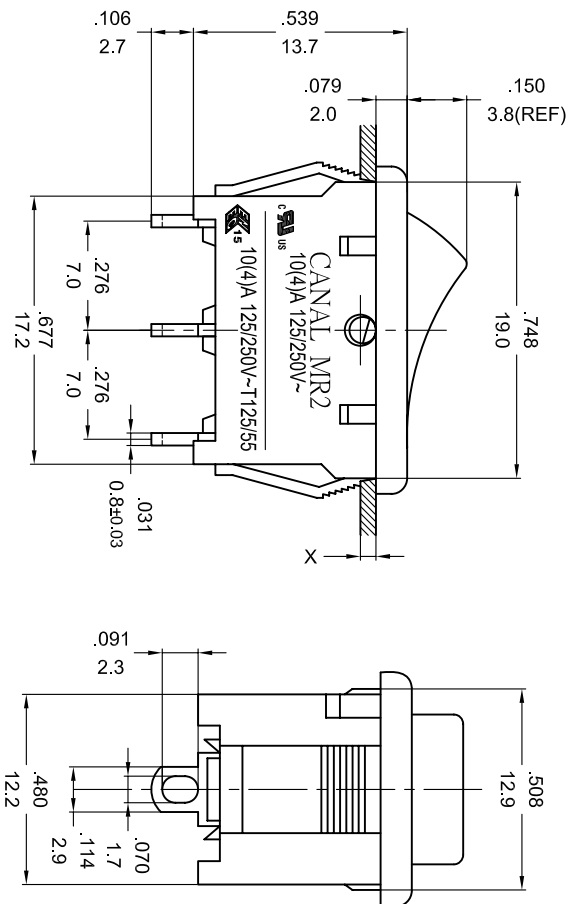


**ROCKER SWITCH MODEL MR2 SERIES**  
 RATING: 10(4)A 125/250V~T55 (cURus)  
 10(4)A 125/250V~T125/55 (ENECC15)  
 10(4)A 250V~T125/55 (CQC)  
 DIELECTRIC VOLTAGE-WITHSTAND: 1.500VAC FOR 1 MINUTE  
 INSULATION RESISTANCE: DC 500V 100MΩ (MIN.)  
 CONTACT RESISTANCE: 20mΩ INITIAL (MAX.)



X(PANEL THICKNESS)	Y(CUTOUT DIMENSION)	Z(CUTOUT DIMENSION)
0.75~1.25mm	19.2 <sup>+0.1</sup> <sub>-0</sub> mm	12.9 <sup>+0.15</sup> <sub>-0</sub> mm
1.25~2mm	19.4 <sup>+0.1</sup> <sub>-0</sub> mm	12.9 <sup>+0.15</sup> <sub>-0</sub> mm
2~3mm	19.8 <sup>+0.1</sup> <sub>-0</sub> mm	12.9 <sup>+0.15</sup> <sub>-0</sub> mm

NOTE: TOLERANCES UNLESS OTHERWISE SPECIFIED: ±.012/0.3 (in/mm)

PANEL CUTOUT DIMENSION TABLE

REVISION	DESCRIPTION	REVISED BY	TOLERANCES		ANGLE	SCALE	UNIT	PART NAME	MR2 SPEC DRAWING	DWG NO
			DRAWN BY	CHECKED BY						
△2018-12-07	依安規要求修正耐電壓	楊偉部	楊偉部			2/1	mm			S7649B
△2018-11-23	首次出圖。	楊偉部						MR2-121CSW-NBBA-30NC		