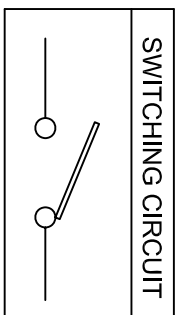
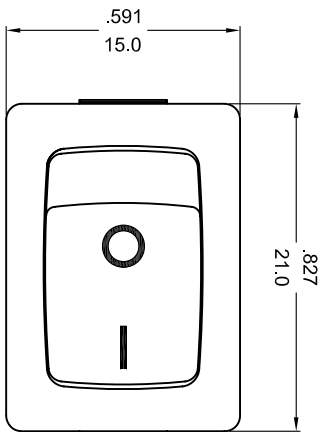
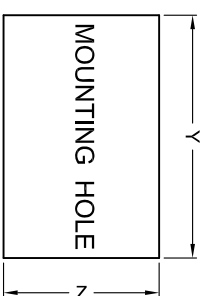
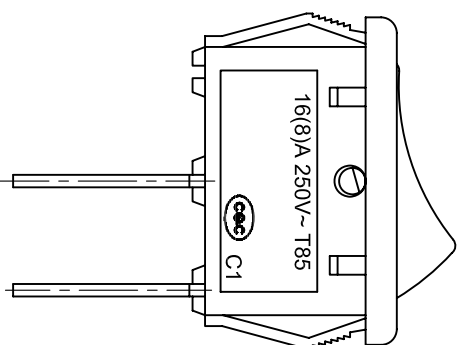
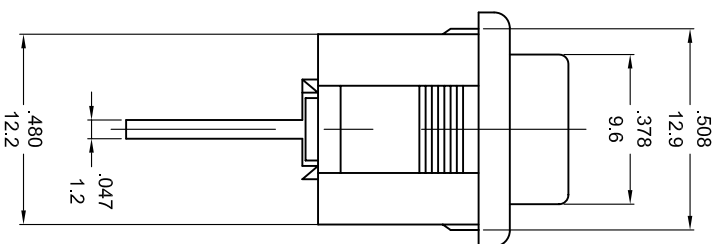
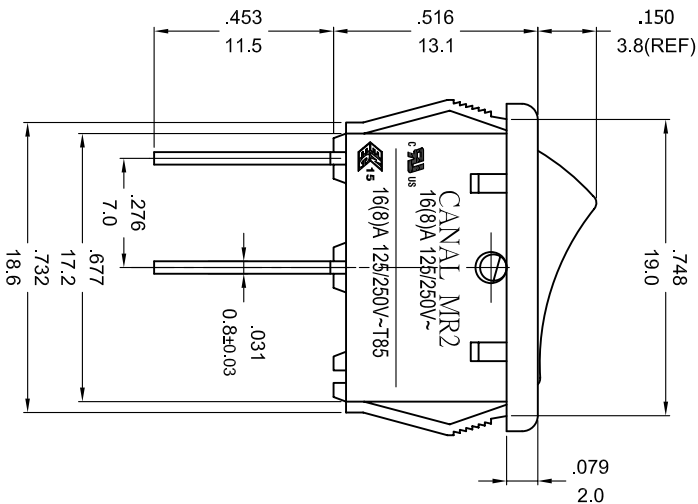


# 嘉尼企業股份有限公司 CANAL ELECTRONIC CO.,LTD.



**ROCKER SWITCH MODEL MR2 SERIES**  
 RATING:16(8)A 125/250V ~ T55(cURus)  
 16(8)A 125/250V ~ T85(ENEC15)  
 16(8)A 250V~T85 (CQC )  
 DIELECTRIC VOLTAGE-WITHSTAND:1,500VAC FOR 1 MINUTE  
 INSULATION RESISTANCE:DC 500V 100MΩ (MIN.)  
 CONTACT RESISTANCE:20mΩ INITIAL (MAX.)  
 INRUSH CURRENT: 100AWILL BE REACHED WITHIN1/240 SECOND  
 FOR 50HZ ,3000 LIFE CYCLES



X(PANEL THICKNESS)	Y(CUTOUT DIMENSION)	Z(CUTOUT DIMENSION)
0.75~1.25mm	19.2 <sup>+0.1</sup> <sub>-0</sub> mm	12.9 <sup>+0.15</sup> <sub>-0</sub> mm
1.25~2mm	19.4 <sup>+0.1</sup> <sub>-0</sub> mm	12.9 <sup>+0.15</sup> <sub>-0</sub> mm
2~3mm	19.8 <sup>+0.1</sup> <sub>-0</sub> mm	12.9 <sup>+0.15</sup> <sub>-0</sub> mm

PANEL CUTOUT DIMENSION TABLE

NOTE:TOLERANCES UNLESS OTHERWISE SPECIFIED:±.012/0.3(in/mm)

REVISION	DESCRIPTION	REVISED BY	TOLERANCES	ANGLE	SCALE	UNIT	PART NAME	MR2 SPEC DRAWING	DWG NO
△			DRAWN BY 楊偉韶	DESIGNED BY 蔡劍	2/1	mm			S7730A
△			CHECKED BY	APPROVED BY					
△									
△	2019.03.21	首次出圖			2019.03.21		MR2-112C5W-INBBB-68NS		