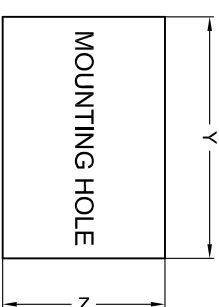
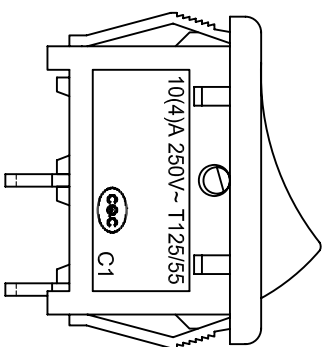
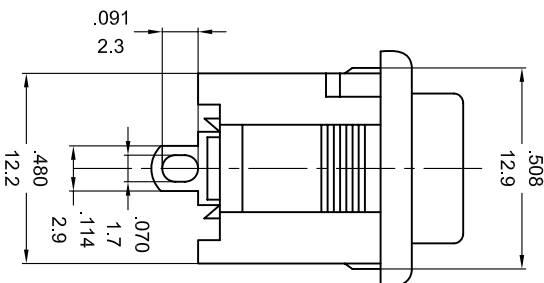
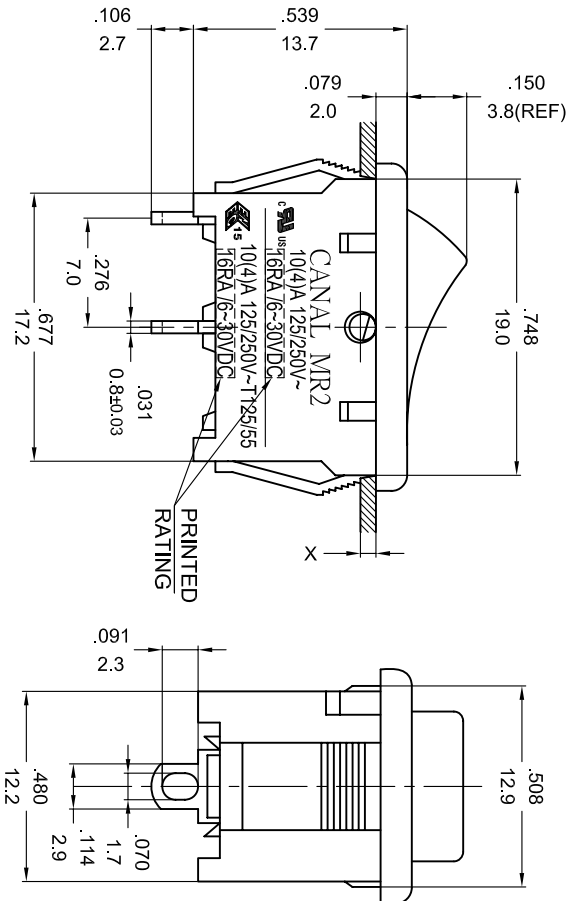


ROCKER SWITCH MODEL MR2 SERIES
 RATING: 16RA/6~30VDC (cURus/ENEC15)
 10(4)A 125/250V~T55 (cURus)
 10(4)A 125/250V~T125/55 (ENEC15)
 10(4)A 250V~T125/55 (CQC)
 DIELECTRIC VOLTAGE-WITHSTAND: 1.500VAC FOR 1 MINUTE
 INSULATION RESISTANCE: DC 500V 100MΩ (MIN.)
 CONTACT RESISTANCE: 20mΩ INITIAL (MAX.)



X(PANEL THICKNESS)	Y(CUTOUT DIMENSION)	Z(CUTOUT DIMENSION)
0.75~1.25mm	19.2 ^{+0.1} ₋₀ mm	12.9 ^{+0.15} ₋₀ mm
1.25~2mm	19.4 ^{+0.1} ₋₀ mm	12.9 ^{+0.15} ₋₀ mm
2~3mm	19.8 ^{+0.1} ₋₀ mm	12.9 ^{+0.15} ₋₀ mm

PANEL CUTOUT DIMENSION TABLE

NOTE: TOLERANCES UNLESS OTHERWISE SPECIFIED:±.012/0.3 (in/mm)

REVISION	DESCRIPTION	REVISED BY	TOLERANCES		ANGLE	SCALE	UNIT	PART NAME	MR2 SPEC DRAWING	DWG NO
			DRAWN BY	CHECKED BY						
△2018.12.07	依安規要求修正耐電壓	楊偉韶	楊偉韶			2/1	mm			S7650B
△2018.11.26	首次出圖。	楊偉韶						MR2-111CSW-NBBD-30NC		