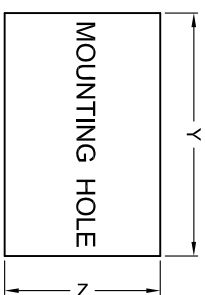
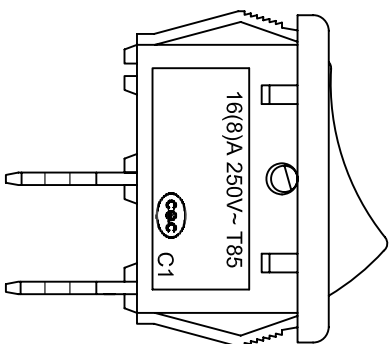
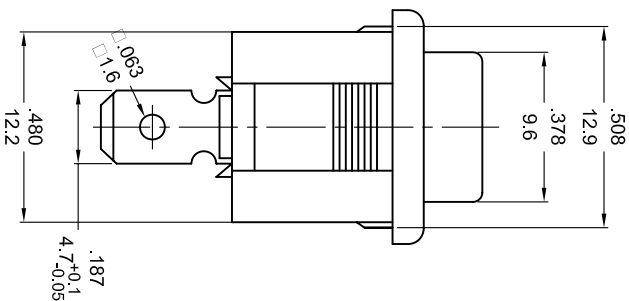
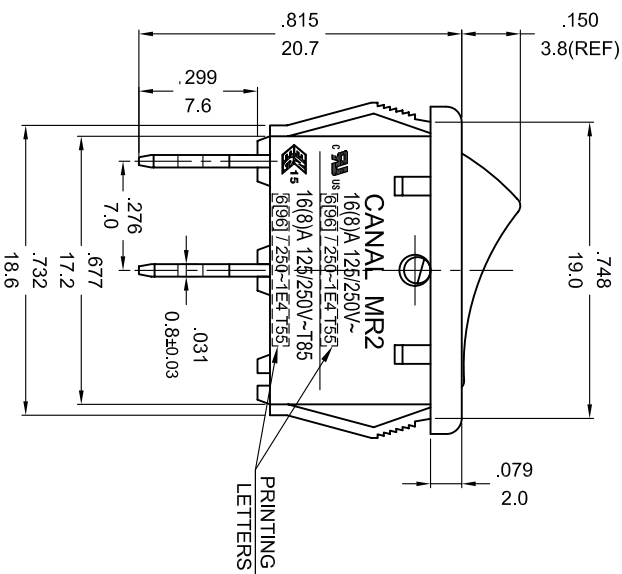


ROCKER SWITCH MODEL MR2 SERIES
 RATING: 6[96] / 250~1E4 T55(cURus/ENEC15)
 16(8)A 125/250V ~ T55(cURus)
 16(8)A 125/250V ~ T85(ENEC15)
 16(8)A 250V~T85 (CQC)
 DIELECTRIC VOLTAGE-WITHSTAND:1,500VAC FOR 1 MINUTE
 INSULATION RESISTANCE:DC 500V 100MΩ (MIN.)
 CONTACT RESISTANCE:20mΩ INITIAL (MAX.)



X(PANEL THICKNESS)	Y(CUTOUT DIMENSION)	Z(CUTOUT DIMENSION)
0.75~1.25mm	19.2 ^{+0.1} ₋₀ mm	12.9 ^{+0.15} ₋₀ mm
1.25~2mm	19.4 ^{+0.1} ₋₀ mm	12.9 ^{+0.15} ₋₀ mm
2~3mm	19.8 ^{+0.1} ₋₀ mm	12.9 ^{+0.15} ₋₀ mm

NOTE:TOLERANCES UNLESS OTHERWISE SPECIFIED:±.012/0.3(in/mm)

PANEL CUTOUT DIMENSION TABLE



REVISION	DESCRIPTION	REVISED BY	TOLERANCES	ANGLE	SCALE	UNIT	PART NAME	MOUNTING HOLE	DWG NO
△			DRAWN BY 楊偉韶	DESIGNED BY 蔡劍	2/1	mm	MR-2 SPEC DRAWING		S7843A
△			CHECKED BY	APPROVED BY					
△	首次出圖	楊偉韶			2019.07.30		MR2-110C5W-INBBF-28NC		