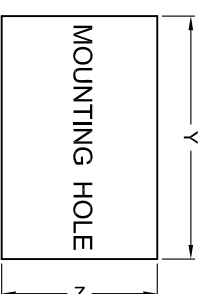
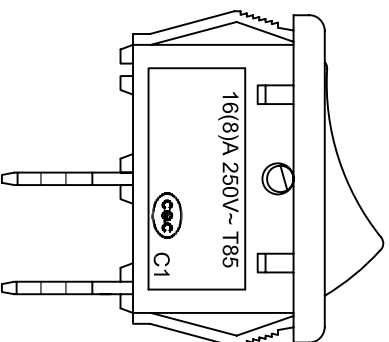
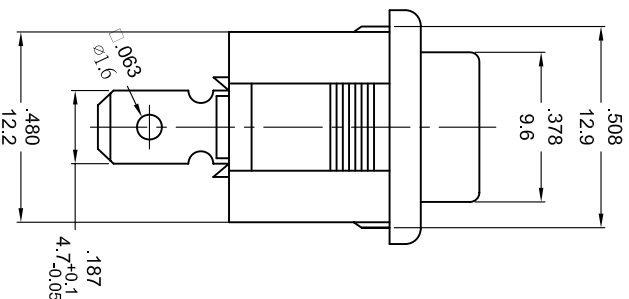
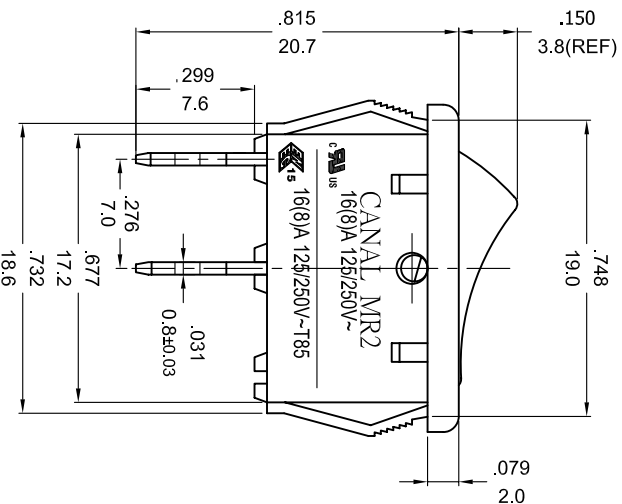


**ROCKER SWITCH MODEL MR2 SERIES**  
 RATING:16(8)A 125/250V ~ T55(cURus)  
 16(8)A 125/250V ~ T85(ENEC15)  
 16(8)A 250V~T85 (CQC )  
 DIELECTRIC VOLTAGE-WITHSTAND:1,500VAC FOR 1 MINUTE  
 INSULATION RESISTANCE:DC 500V 100MΩ (MIN.)  
 CONTACT RESISTANCE:20mΩ INITIAL (MAX.)



X(PANEL THICKNESS)	Y(CUTOUT DIMENSION)	Z(CUTOUT DIMENSION)
0.75~1.25mm	19.2 <sup>+0.1</sup> <sub>-0</sub> mm	12.9 <sup>+0.15</sup> <sub>-0</sub> mm
1.25~2mm	19.4 <sup>+0.1</sup> <sub>-0</sub> mm	12.9 <sup>+0.15</sup> <sub>-0</sub> mm
2~3mm	19.8 <sup>+0.1</sup> <sub>-0</sub> mm	12.9 <sup>+0.15</sup> <sub>-0</sub> mm

NOTE:TOLERANCES UNLESS OTHERWISE SPECIFIED:±.012/0.3(in/mm)

PANEL CUTOUT DIMENSION TABLE

REVISION	DESCRIPTION	REVISED BY	TOLERANCES		ANGLE	SCALE	UNIT	PART NAME	PART NO	DWG NO
			DRAWN BY	CHECKED BY						
△2019.02.15	增加刻字圖，重新出圖		楊偉韶		蔡劍	2/1	mm	MR-2 SPEC DRAWING	MR2-110C5W-NBBB-28NC	S6471B
△2016.04.11	首次出圖		楊偉韶				mm			