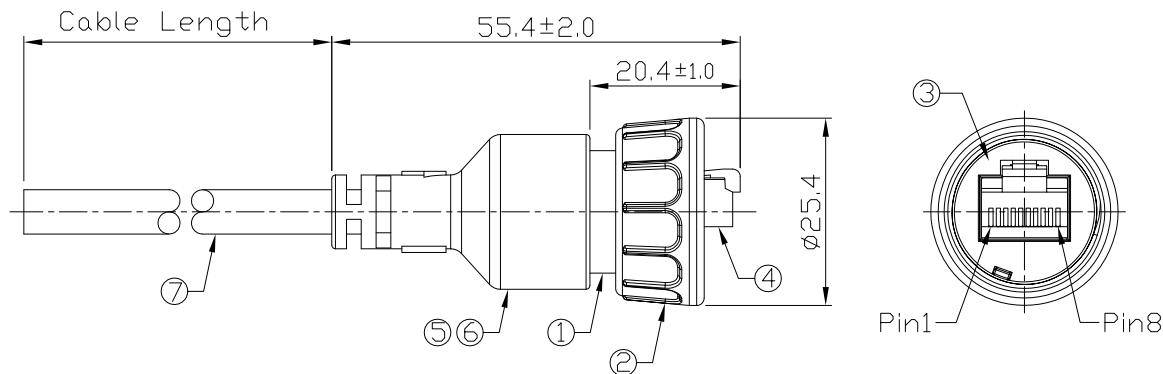


Notes: (Unless Otherwise Specified)
 1. Waterproof Rate: IP67.
 2. RoHS Compliant.

REV	ECN#	DESCRIPTION OF REVISION	DRAW BY DATE	CHECK BY DATE	APPROVE BY DATE
A0		Mass Production	Vicky 08/05/10	Ray 08/05/10	Ray 08/05/10



GT125320-02-10	10000 mm	±500
GT125320-02-09	9000 mm	±450
GT125320-02-08	8000 mm	±400
GT125320-02-07	7000 mm	±150
GT125320-02-06	6000 mm	±150
GT125320-02-05	5000 mm	±150
GT125320-02-04	4000 mm	±150
GT125320-02-03	3000 mm	±150
GT125320-02-02	2000 mm	±100
GT125320-02-01	1000 mm	±50
GT125320-02-29	900 mm	±40
GT125320-02-28	800 mm	±40
GT125320-02-27	700 mm	±40
GT125320-02-26	600 mm	±40
GT125320-02-25	500 mm	±40
GT125320-02-24	400 mm	±20
GT125320-02-23	300 mm	±20
GT125320-02-22	200 mm	±10
Part No.	Cable Length	Tol.

7	Cable	CAT5E 24AWG*4P+D+AL/My (UV) Color: Black, OD=6.0mm	1
6	Over Mold	PVC Color: Black	1
5	Inner Mold	Thermoplastic Color: White	1
4	RJ45 Plug	Housing: Thermoplastic, Color: Clean Contacts: Copper Alloy, Finish: Au Plated Shell: Cold Roll Steel, Finish: Ni Plated	1
3	Rubber Pad	Silicone Color: Black	1
2	Screw Nut	Thermoplastic Color: Black	1
1	Housing	Thermoplastic Color: Black	1
Item	Part Name	Material / Finish	QTY



Wiring Diagram

GTC
 DOC.CENTER.ISSUE
 AUG.09.2010
 ONLY FOR
 RELEASE

TITLE						DRAWING NUMBER			REV.
RJ45 Plastic C3 Shielded Cable End Plug Screw						GT125320-02-XX			A0
THIRD ANGLE PROJECTION	SIZE	SCALE	DRAW / DATE	CHECK / DATE	APPROVE / DATE	TOLERANCES		UNIT	SHEET
	B	1:1	Vicky 08/05/10	Ray 08/05/10	Ray 08/05/10	X.X ± 0.5 X.XX ± 0.2	X.XXX ± 0.05 ANGLES ± 1°	mm	1/1

GT Contact CO.,LTD

NOTICE OF PROPRIETARY PROPERTY:
 THE INFORMATION CONTAINED HEREIN IS THE PROPRIETARY PROPERTY OF GT Contact CO.,LTD THE POSSESSOR AGREES TO THE FOLLOWING:
 (a) TO MAINTAIN THIS DOCUMENT IN CONFIDENCE
 (b) NOT TO REPRODUCE OR COPY IT
 (c) NOT TO REVEAL OR PUBLISH IT IN WHOLE OR PART
 (d) ALL RIGHTS RESERVED