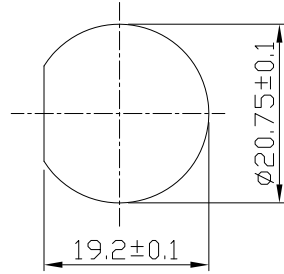


Notes: (Unless Otherwise Specified)

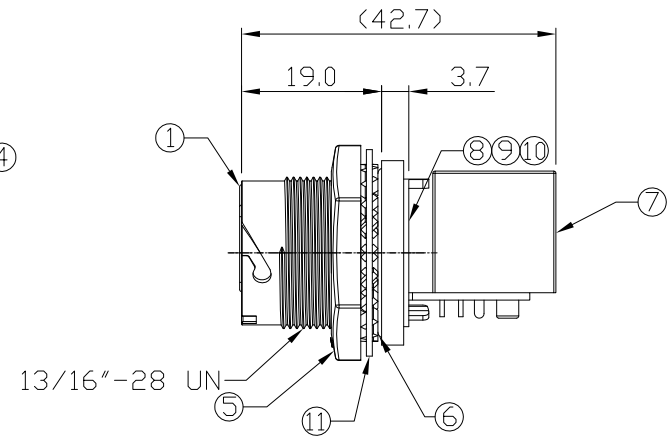
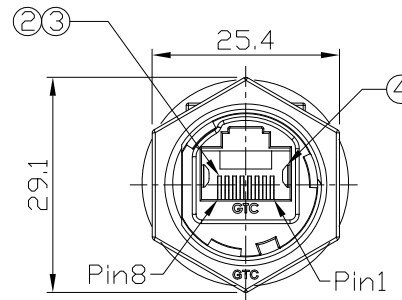
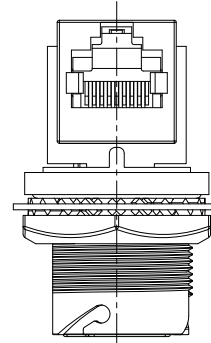
1. Waterproof Rate: IP68.
2. Recommend Panel Thickness: 0.8 to 3.0 mm.
3. Recommend Torque: 19~20 Kgf-cm.
4. Mating Cap P/N: GT1C213022.
5. RoHS Compliant.



Recommend  
Panel Cut-Out

REV	ECN#	DESCRIPTION OF REVISION	DRAW BY DATE	CHECK BY DATE	APPROVE BY DATE
A1	ECN-111202	Add C3 Metal Washer , Marked $\triangle A1$	Joyce 12/14/11	Lucas 12/14/11	Ray 12/14/11
A2	ECN-171123	Modify Drawing	Lucas 11/30/17	Lucas 11/30/17	Ray 11/30/17

GTC  
DOC.CENTER.ISSUE  
DEC.01.2017  
ONLY FOR  
RELEASE



Item	Part Name	Material / Finish	Q'ty
11	Washer	Stainless Finish: —	1
10	Glue	Epoxy Color: Black	
9	PCB	FR-4 Color: -	1
8	Holder	Silicone Color: Black	1 $\triangle A2$
7	RJ45 Receptacle	Shell: Copper Alloy; Finish: Ni Plated Housing: Thermoplastic; Color: Black Contacts: Copper Alloy; Finish: Au Plated	1
6	O-Ring	Silicone Color: Red	1
5	Hex Nut	Zn Alloy Finish: Ni Plated	1
4	EMI Shielded Plate	Copper Alloy Finish: Ni Plated	2
3	Holder	Thermoplastic Color: Black	1
2	RJ45 Receptacle	Housing: Thermoplastic; Color: Gray Contacts: Copper Alloy; Finish: Au Plated	1
1	Housing	Zn Alloy Finish: Ni Plated	1

TITLE						DRAWING NUMBER			REV.	
RJ45 Metal C3 Shielded Panel Jack Lock With Coupler 90°						GT225200-40			A2	
	B	1:1	Karen 06/03/09	Ray 06/03/09	Ray 06/03/09	X.X ± 0.5 X.XX ± 0.2	X.XXX ± 0.05 ANGLES ± 1°	mm	1/1	
THIRD ANGLE PROJECTION	SIZE	SCALE	DRAW / DATE	CHECK / DATE	APPROVE / DATE	TOLERANCES		UNIT	SHEET	

GT Contact CO.,LTD

NOTICE OF PROPRIETARY PROPERTY:  
THE INFORMATION CONTAINED HEREIN IS THE PROPRIETARY PROPERTY OF GT CONTACT CO.,LTD THE POSSESSOR AGREES TO THE FOLLOWING:  
(i) TO MAINTAIN THIS DOCUMENT IN CONFIDENCE  
(ii) NOT TO REPRODUCE OR COPY IT  
(iii) NOT TO REVEAL OR PUBLISH IT IN WHOLE OR PART  
(iv) ALL RIGHTS RESERVED