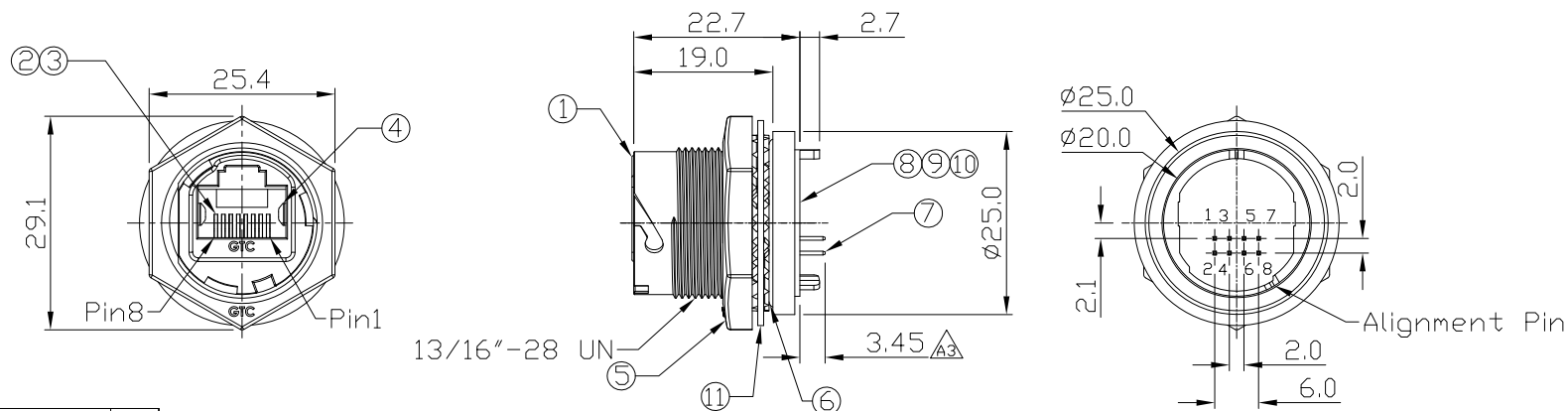


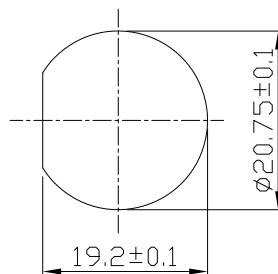
Notes: (Unless Otherwise Specified)

1. Waterproof Rate: IP68.
2. Recommend Panel Thickness: 0.8 to 3.0 mm.
3. Recommend Torque: 19~20 Kgf-cm.
4. Mating Cap P/N: GT1C213022.
5. RoHS Compliant.

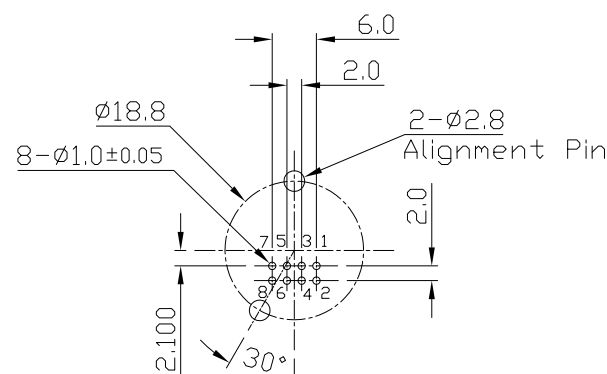
| REV | ECN#       | DESCRIPTION OF REVISION | DRAW BY DATE      | CHECK BY DATE     | APPROVE BY DATE |
|-----|------------|-------------------------|-------------------|-------------------|-----------------|
| A3  | ECN-170916 | 2.8mm>3.45mm            | Viola<br>10/02/17 | Lucas<br>10/02/17 | Ray<br>10/02/17 |



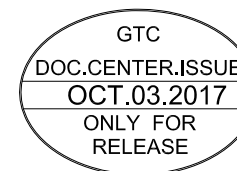
| 11   | Washer             | Stainless<br>Finish: —  | 1    |
|------|--------------------|---|------|
| 10   | Glue               | Epoxy<br>Color: Black   |      |
| 9    | PCB                | FR-4<br>Color: -  | 1    |
| 8    | Holder             | Thermoplastic<br>Color: Black   | 1    |
| 7    | Pin Header         | Housing: Thermoplastic; Color: Black<br>Contacts: Copper Alloy; Finish: Au Plated | 1    |
| 6    | O-Ring             | Silicone<br>Color: Red  | 1    |
| 5    | Hex Nut            | Zn Alloy<br>Finish: Ni Plated   | 1    |
| 4    | EMI Shielded Plate | Copper Alloy<br>Finish: Ni Plated   | 2    |
| 3    | Holder             | Thermoplastic<br>Color: Black   | 1    |
| 2    | RJ45 Receptacle    | Housing: Thermoplastic; Color: Gray<br>Contacts: Copper Alloy; Finish: Au Plated  | 1    |
| 1    | Housing            | Zn Alloy<br>Finish: Ni Plated   | 1    |
| Item | Part Name          | Material / Finish   | Q'ty |



Recommend  
Panel Cut-Out



Recommend PCB Layout



GT Contact CO.,LTD

NOTICE OF PROPRIETARY PROPERTY:

THE INFORMATION CONTAINED HEREIN IS THE PROPRIETARY PROPERTY OF GT Contact CO.,LTD THE POSSESSOR AGREES TO THE FOLLOWING:  
 (A) TO MAINTAIN THIS DOCUMENT IN CONFIDENCE  
 (B) NOT TO REPRODUCE OR COPY IT  
 (C) NOT TO REVEAL OR PUBLISH IT IN WHOLE OR PART  
 (D) ALL RIGHTS RESERVED

| TITLE                                      |      |       |                |              |                | DRAWING NUMBER          |                             |      | REV.  |
|--|------|-------|----------------|--------------|----------------|-------------------------|-----------------------------|------|-------|
| RJ45 Metal C3 Shielded Panel Jack Dip Lock |      |       |                |              |                | GT225200-10             |                             |      | A3    |
|  | B    | 1:1   | Karen 09/24/08 | Ray 09/24/08 | Ray 09/24/08   | X.X ± 0.5<br>X.XX ± 0.2 | X.XXX ± 0.05<br>ANGLES ± 1° | mm   | 1/1   |
| THIRD ANGLE PROJECTION                     | SIZE | SCALE | DRAW / DATE    | CHECK / DATE | APPROVE / DATE | TOLERANCES              |                             | UNIT | SHEET |