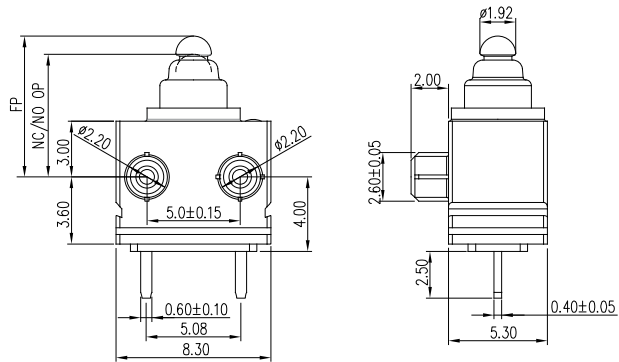



DIMENSIONS

 Unless otherwise specified, a tolerance of $\pm 0.4\text{mm}$ applies to all dimensions


DW33 SERIES

SPECIFICATIONS
Contact Resistance (initial)

 Max. 500m Ω

Measured by ohm meter –Open Voltage <1VDC, Driver current -100mA

Insulation Resistance (at 500VDC/minute)

 Min. 100M Ω
Dielectric Strength

Min. 500VAC(50-60HZ)/minute between Live parts.

Operating Temperature Range

-40°C to 85°C (with no icing)

Vibration

10~55Hz, displacement 0.75 mm (p-p)

Electrical Service Life

50mA 16VDC- Min. 150,000 operations

100mA 12VDC- Min. 300,000 operations

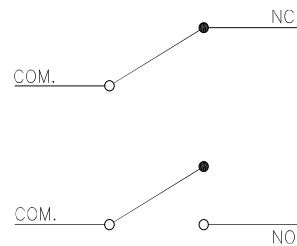
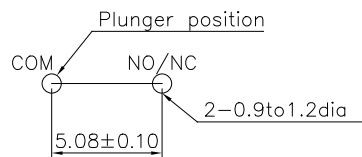
1mA 5VDC- Min. 300,000 operations

Electrical Operating Frequency

Max. 120 operations per minute

Operating application of the switch

Set the switch pushing distance from 60% to 90% of the specified OT value

CONTACT CONFIGURATION

MOUNTING HOLES

TYPICAL APPLICATION

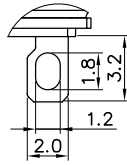
Automotive (detection of door opening/closing and gear lever position, etc.) Household Appliances (propane stoves, vacuum cleaners, air conditioners washing machines, etc.)

ORDERING INFORMATION

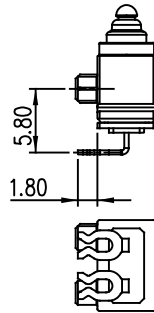
| | | | | | | | |
|----------------------|-------------|------------------------|----------------------|--------------------------------|--------------------|---------------------|------------------|
| DW33 | P1 | S | YC | 1 | A | 0A | Z |
| SERIES PREFIX | CODE | OPERATING FORCE | TERMINAL TYPE | CIRCUIT ARRANGEMENT | PILLAR TYPE | SPECIAL CODE | ROHS CODE |
| | P1 | S STANDARD | A | 1 S.P.S.T-NO. 2 S.P.S.T-NC. | A | | |
| | | | P | | B | | |
| | | | EC | | | | |
| | | | ED | | | | |
| | | | YC | | | | |
| | | | YD | | | | |

| | | | | | | | |
|-------------------|-----|-----|------------|------------|-----|-----|-----|
| DIMENSIONS | | | | | | | |
| | L1 | H | A | B | C | D | P |
| CODE | | | | | | | |
| A | 2.0 | 3.0 | $\phi 2.2$ | $\phi 2.2$ | 2.6 | 2.6 | 5.0 |

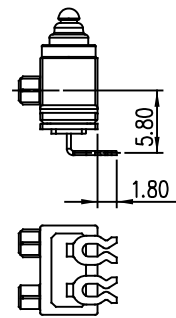
A TYPE



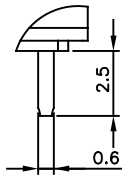
E- TERMINAL C TYPE



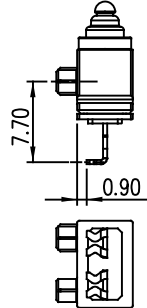
E- TERMINAL D TYPE



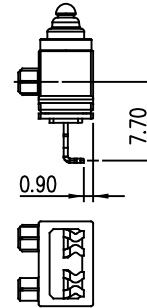
P TYPE



Y- TERMINAL C TYPE

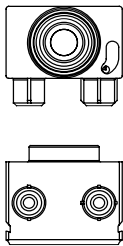


Y- TERMINAL D TYPE

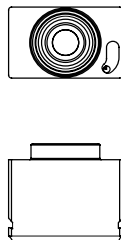


COVER TYPES (PILLAR & TRAVEL TYPES)

TYPE A



TYPE B



OPERATING CHARACTERISTICS

| SWITCH TYPE | PART SUFFIX | OF Max (gf) | | FP Max (mm) | NC/NO-OP (mm) | NC/NO-OT Min.(mm) |
|--------------------|-------------|---------------|-----|---------------|-----------------|---------------------|
| | | S | 122 | | | |
| DW33- □□ -00 □□ -Z | | S | 122 | 7.7 | 7.1±0.25 | 1.75 |



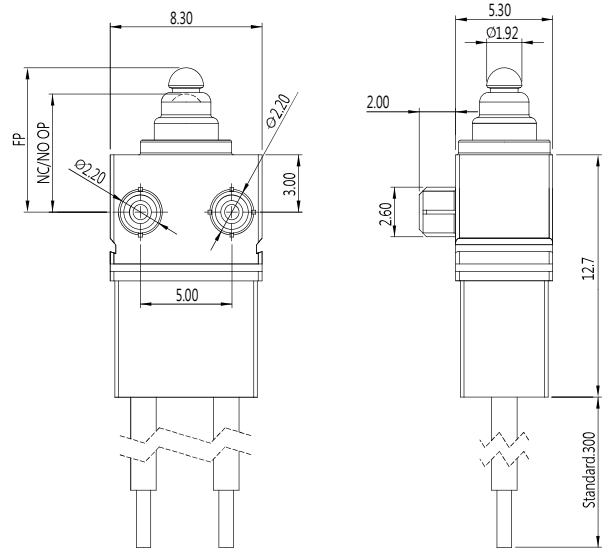
DW33(IP67) SERIES

TYPICAL APPLICATIONS

Automotive (detection of door opening/closing and gear lever position, etc.), Household Appliances (propane stoves, vacuum cleaners, air conditioners washing machines, etc.)

DIMENSIONS

Unless otherwise specified, a tolerance of $\pm 0.4\text{mm}$ applies to all dimensions.



ORDERING INFORMATION

