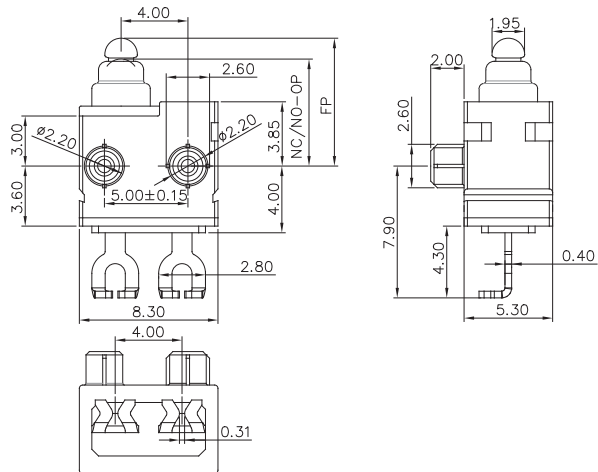


DIMENSIONS

 Unless otherwise specified, a tolerance of $\pm 0.4\text{mm}$ applies to all dimensions


DW32 SERIES

SPECIFICATIONS
Contact Resistance (initial)

 Max. 500m Ω

Measured by ohm meter –Open Voltage<1VDC, Driver current -100mA

Insulation Resistance (at 100VDC/minute)

 Min. 100M Ω
Dielectric Strength

Min. 500VAC(50-60HZ)/minute between Live parts.

Operating Temperature Range

-40°C to 85°C (with no icing)

Vibration

10~55Hz, displacement 0.75 mm (p-p)

Electrical Service Life

50mA 16VDC- Min. 150,000 operations

50mA 12VDC- Min. 200,000 operations

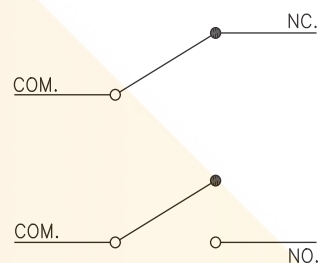
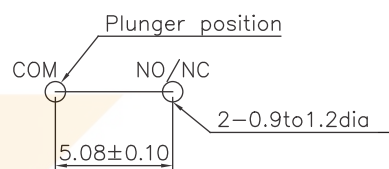
1mA 5VDC- Min. 300,000 operations

Electrical Operating Frequency

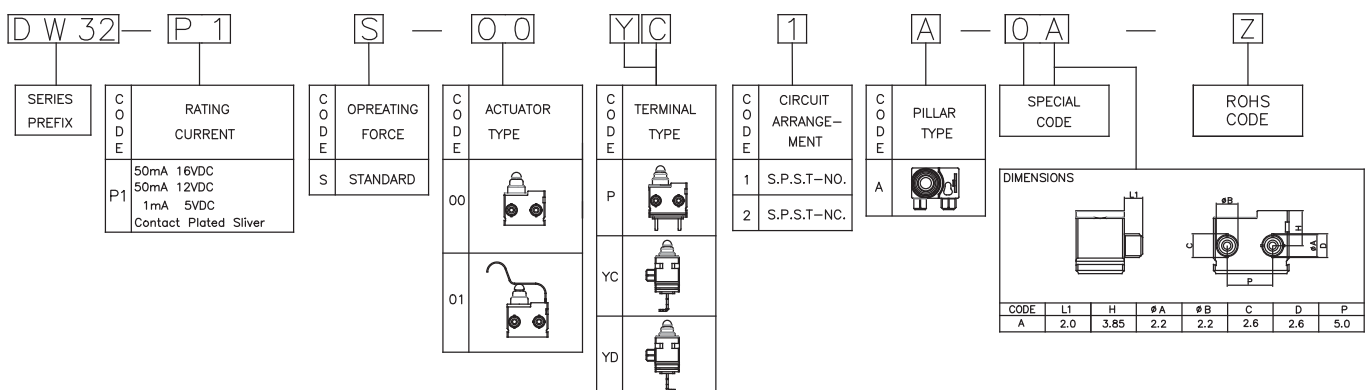
Max. 120 operations per minute

Operating application of the switch

Set the switch pushing distance from 60% to 90% of the specified OT value

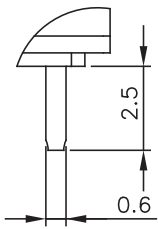
CONTACT CONFIGURATION

MOUNTING HOLES

TYPICAL APPLICATIONS

Automotive and Off Road Vehicles (detection of door opening/closing, lever position, etc.) Household Appliances (propane stoves, vacuum cleaners, HEVAC, washing machines, etc.), Industrial

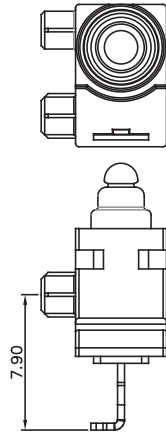
ORDERING INFORMATION


TERMINAL TYPES(The thickness of each terminal is 0.4 mm)

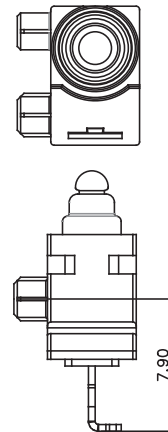
P TYPE PCB



Y TERMINAL C TYPE Left side

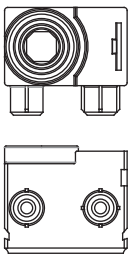


Y TERMINAL D TYPE Right side



COVER TYPES (PILLAR & TRAVEL TYPES)

A TYPE



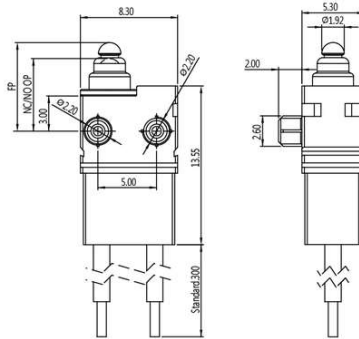
OPERATING CHARACTERISTICS

SWITCH TYPE	PART SUFFIX	OF Max (gf)	FP Max (mm)	NC-OP (mm)	NO-OP (mm)	NC-OT Min.(mm)	NO-OT Min. (mm)
DW32- □□ -00Y0-Z		S 123	7.7	7.1±0.25	7.1±0.25	1.75	1.75
DW32- □□ -01Y0-Z		S 153	13.4	10.75±0.60	10.75±0.60	2.25	2.25



DIMENSIONS

Unless otherwise specified, a tolerance of ±0.4mm applies to all dimensions.



DW32(IP67)series

SPECIFICATIONS

Operating frequency(electrical):

Max. 120 Operation / min

Contact resistance:

500m Ω(max)

Insulation resistance(at 500 VDC)

100M Ω(Min)

Dielectric strength(50 - 60 Hz)

Min. 500VAC RMS

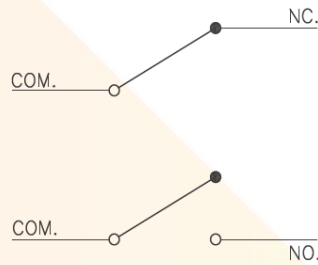
Service life(electrical)

150,000~300,000 Operations

RATING

50mA 16VDC; 100mA 12VDC; 1mA 5VDC

CONTACT CONFIGURATION



TYPICAL APPLICATIONS

Automotive and Off Road Vehicles (detection of door opening/closing, lever position, etc.) Household Appliances (propane stoves, vacuum cleaners, HEVAC, washing machines, etc.), Industrial

ORDER INFORMATION

