



## DW SERIES

### SPECIFICATIONS

#### Contact Resistance(initial)

Max. 100 mΩ

Measured by ohm meter - open voltage <1 VDC, driver current -100 mA

#### Insulation Resistance(at 250 VDC / minute)

Min. 100 MΩ

#### Dielectric Strength

150 VAC(50~ 60 Hz)

#### Operating Temperature Range

-40°C to 85°C (with no icing)

#### Vibration

10~55 Hz, displacement 0.75 mm(p-p)

#### Electrical Service Life

10 mA - Min. 500,000 operations

3A - Min. 6,000 operations

#### Electrical Operating Frequency

10mA-120 operations per minute

3A-10~30 operations per minute

#### Mechanical Service Life

Min. 500,000 operations

#### Mechanical Operating Frequency

120 operations per minute

### TYPICAL APPLICATIONS

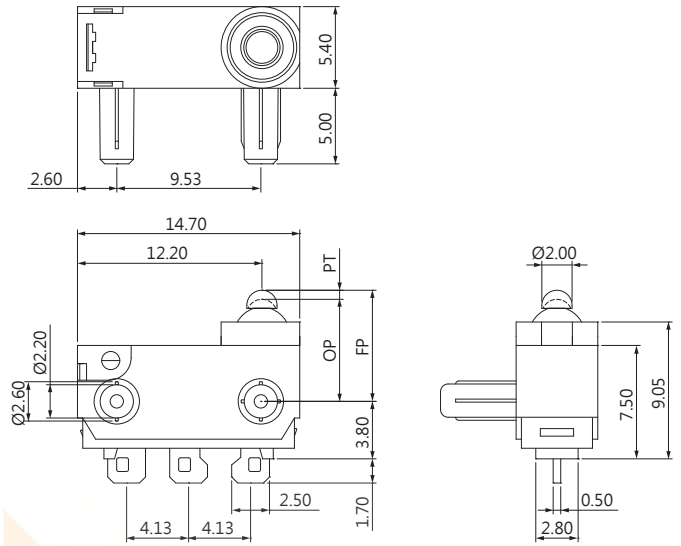
Automotive (Seat Belt, Door Latches, Engine Hood, Boot Lid, etc.),  
HEVAC, Security Systems, Industrial

### CERTIFICATE INFORMATION

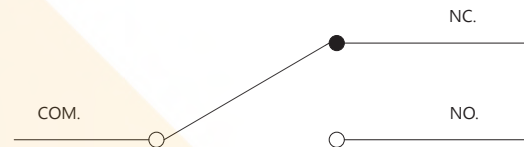
Model Name	UL, cUL	ENEC14
DW-N2S	10 mA 12 VDC (Temp65°C), Min. 10,000 operations	10 mA 12 VDC, μ 5E5
DW-N3S	3 A 12 VDC (Temp65°C) Min. 100,000 operations 3 A 125 VAC (Temp65°C) Min. 6,000 operations	3 A 12 VDC, μ 1E5

### DIMENSIONS

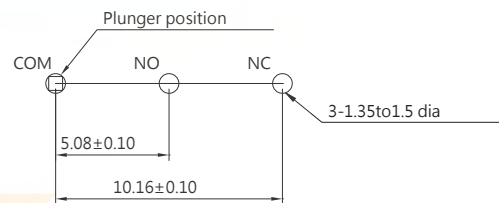
Unless otherwise specified, a tolerance of ±0.4mm applies to all dimensions.



### CONTACT CONFIGURATION



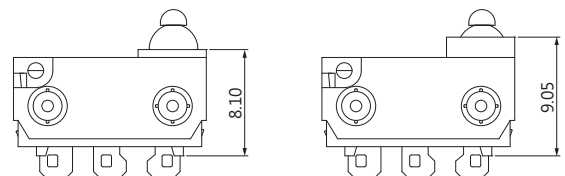
### MOUNTING HOLES FOR PCB TERMINAL



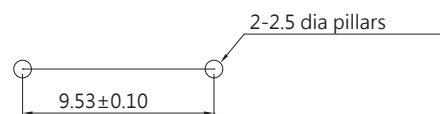
### TRAVEL TYPES

LONG TRAVEL

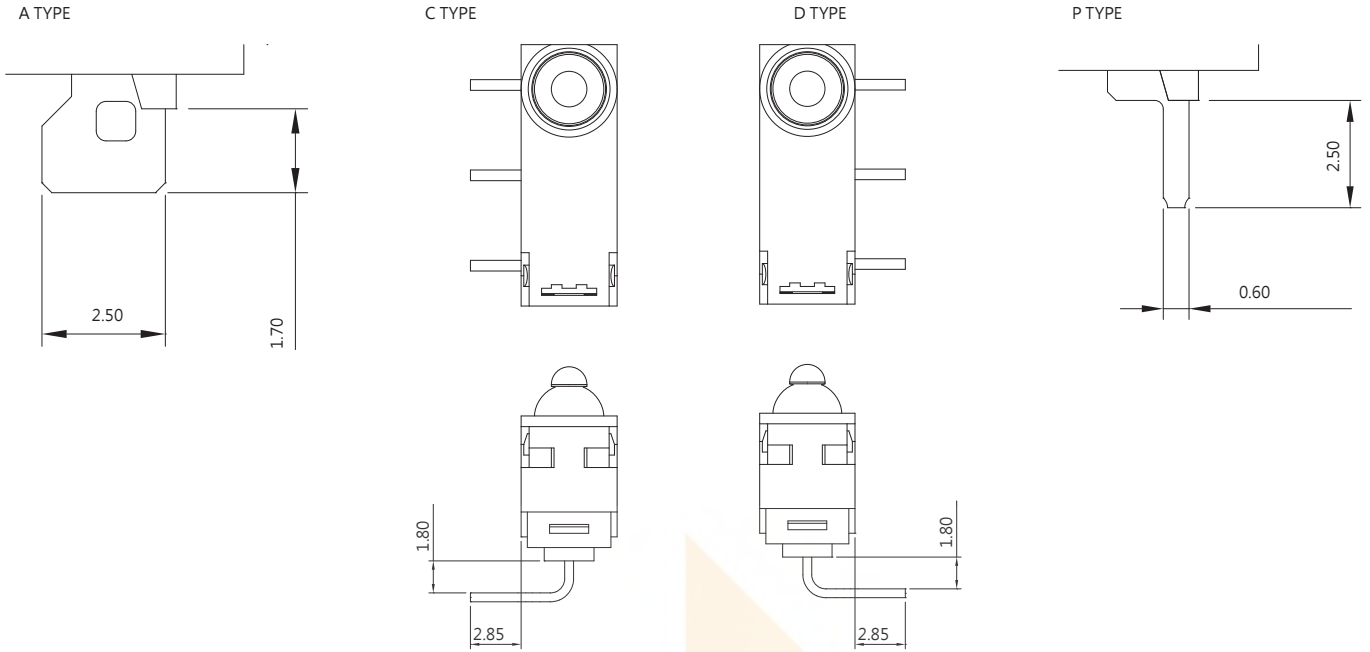
SHORT TRAVEL



### PILLAR PITCH



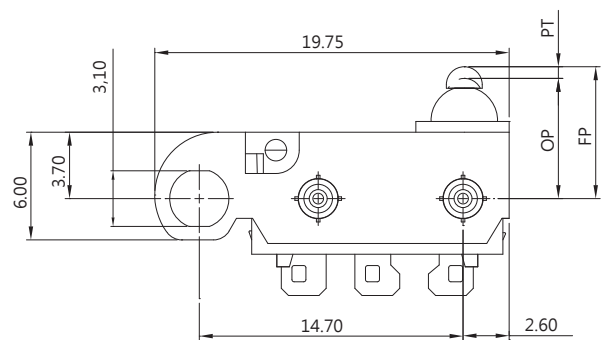
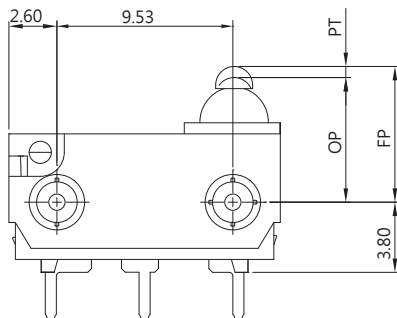
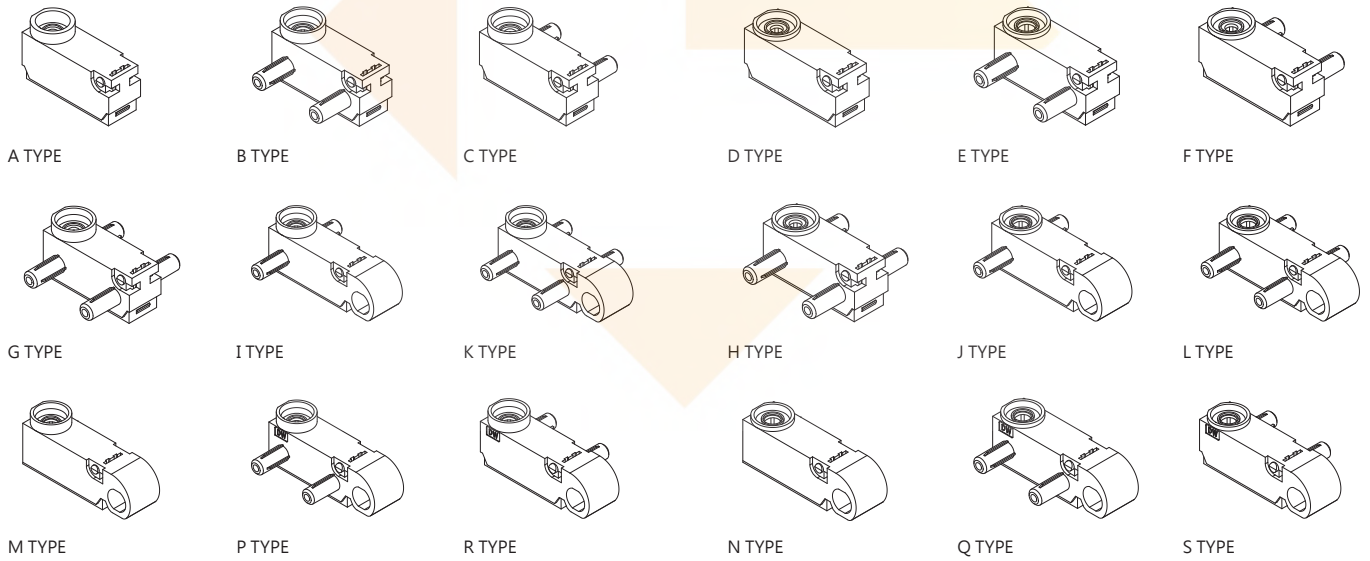
TERMINAL TYPES (The thickness of each terminal is 0.5mm)



COVER TYPES ( PILLAR & TRAVEL TYPES )

SHORT TRAVEL

LONG TRAVEL



ORDERING INFORMATION

D	W	-	N	2	-	S	-	0	1	-	A	-	0	-	A	-	0	A	-	Z																																																																	
SERIES PREFIX		RATING CURRENT		OPERATING FORCE		ACTUATOR TYPE		TERMINAL TYPE		CIRCUIT ARRANGEMENT		PILLAR & TRAVEL TYPE		SPECIAL CODE		ROHS CODE		DIMENSIONS																																																																			
N2		10mA 12VDC Contact Plated Gold and Terminal Plated Sliver		S STANDARD		00		A		0 S.P.D.T		A		0		Z																																																																					
N3		3A 12VDC 3A 125VAC Terminal Plated Sliver and Contact is Sliver				01		C		1 S.P.S.T NO ONLY TERMINAL TYPE C D P		B						<table border="1"> <thead> <tr> <th>CODE</th> <th>L1</th> <th>H</th> <th>ΦA</th> <th>ΦB</th> <th>ΦC</th> <th>ΦD</th> <th>P</th> </tr> </thead> <tbody> <tr> <td>A</td> <td>2.0</td> <td>3.7</td> <td>2.2</td> <td>2.6</td> <td>2.2</td> <td>2.6</td> <td>9.53</td> </tr> <tr> <td>B</td> <td>3.5</td> <td>3.7</td> <td>2.2</td> <td>2.6</td> <td>2.2</td> <td>2.6</td> <td>9.53</td> </tr> <tr> <td>C</td> <td>2.8</td> <td>3.75</td> <td>2.7</td> <td>3.1 (THREE RIBS)</td> <td>2.2</td> <td>2.6</td> <td>9.53</td> </tr> <tr> <td>D</td> <td>4.0</td> <td>3.7</td> <td>2.2</td> <td>2.6</td> <td>2.2</td> <td>2.6</td> <td>9.53</td> </tr> <tr> <td>E</td> <td>0.9</td> <td>3.7</td> <td>2.2</td> <td>N/A</td> <td>2.2</td> <td>N/A</td> <td>9.53</td> </tr> <tr> <td>F</td> <td>1.8</td> <td>3.7</td> <td>2.5</td> <td>N/A</td> <td>2.5</td> <td>N/A</td> <td>9.53</td> </tr> <tr> <td>G</td> <td>5.0</td> <td>3.7</td> <td>2.4</td> <td>2.8</td> <td>2.4</td> <td>2.8</td> <td>8.0</td> </tr> </tbody> </table>				CODE	L1	H	ΦA	ΦB	ΦC	ΦD	P	A	2.0	3.7	2.2	2.6	2.2	2.6	9.53	B	3.5	3.7	2.2	2.6	2.2	2.6	9.53	C	2.8	3.75	2.7	3.1 (THREE RIBS)	2.2	2.6	9.53	D	4.0	3.7	2.2	2.6	2.2	2.6	9.53	E	0.9	3.7	2.2	N/A	2.2	N/A	9.53	F	1.8	3.7	2.5	N/A	2.5	N/A	9.53	G	5.0	3.7	2.4	2.8	2.4	2.8	8.0
CODE	L1	H	ΦA	ΦB	ΦC	ΦD	P																																																																														
A	2.0	3.7	2.2	2.6	2.2	2.6	9.53																																																																														
B	3.5	3.7	2.2	2.6	2.2	2.6	9.53																																																																														
C	2.8	3.75	2.7	3.1 (THREE RIBS)	2.2	2.6	9.53																																																																														
D	4.0	3.7	2.2	2.6	2.2	2.6	9.53																																																																														
E	0.9	3.7	2.2	N/A	2.2	N/A	9.53																																																																														
F	1.8	3.7	2.5	N/A	2.5	N/A	9.53																																																																														
G	5.0	3.7	2.4	2.8	2.4	2.8	8.0																																																																														
						04		D		2 S.P.S.T NC ONLY TERMINAL TYPE C D P		C																																																																									
								P				G																																																																									
												I																																																																									
												K																																																																									
												M																																																																									
												P																																																																									
												R																																																																									
												D																																																																									
												E																																																																									
												F																																																																									
												H																																																																									
												J																																																																									
												L																																																																									
												N																																																																									
												Q																																																																									
												S																																																																									

OPERATING CHARACTERISTICS

SWITCH TYPE	PART SUFFIX	OF Max (gf)	OP (mm)	PT Max (mm)	OT Min (mm)	MD Max (mm)	FP Max (mm)	RF Min (gf)
DW- □□ S-00A0-Z		S	130	3.05±0.2	0.8	0.8	0.3	13
				6.75±0.2				
DW- □□ S-01A0-Z		S	195	3.7±0.5	3.85	1.35	0.5	55
				7.4±0.5				
DW- □□ S-04A0-Z		S	160	6.2±0.8	4.8	1.65	0.7	45
				9.9±0.8				



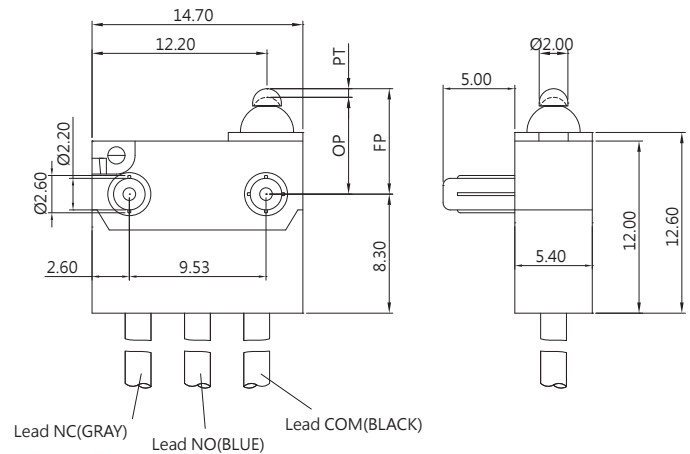
## DW (IP67) SERIES

### TYPICAL APPLICATIONS

Automotive (Seat Belt, Door Latches, Engine Hood, Boot Lid, etc.),  
HEVAC, Security Systems, Industrial

### DIMENSIONS

Unless otherwise specified, a tolerance of ±0.4mm applies to all dimensions.



### CERTIFICATE INFORMATION

Model Name	UL, cUL	ENEC14
DW-N2S	10 mA 12 VDC (Temp : 65°C ), Min. 10,000 operations	10mA 12VDC, μ 5E5
DW-N3S	3 A 12 VDC (Temp:65°C) Min. 100,000 operations 3A 125 VAC (Temp:65°C) Min. 6,000 operations	3A 12VDC, μ 1E5

### ORDERING INFORMATION

DW	N2	S	01	A	0	E	A	001A	Z
SERIES PREFIX	RATING CURRENT	OPERATING FORCE	ACTUATOR TYPE	PILLAR & TRAVEL TYPE	CIRCUIT ARRANGEMENT	AWG TYPE	UL NUMBER	SERIAL CODE	ROHS CODE
	10mA 12VDC Contact Plated Gold and Terminal Plated Silver	S STANDARD	00 01 04	A B C G I K M P R D E F H J L N Q S	0 S.P.D.T 1 S.P.S.T.NO 2 S.P.S.T.NC	E 20 F 22 G 24	A UL 1007 C UL 1430 D UL 1061		
	3A 12VDC 3A 125VAC Terminal Plated Silver and Contact is Sliver			SHORT TRAVEL LONG TRAVEL					

DIMENSIONS							
CODE	L1	H	ΦA	ΦB	ΦC	ΦD	P
A	2.0	3.7	2.2	2.6	2.2	2.6	9.53
B	3.5	3.7	2.2	2.6	2.2	2.6	9.53
C	2.8	3.75	2.7	3.1 (THREE RIBS)	2.2	2.6	9.53
D	4.0	3.7	2.2	2.6	2.2	2.6	9.53
E	0.9	3.7	2.2	N/A	2.2	N/A	9.53
F	1.8	3.7	2.5	N/A	2.5	N/A	9.53
G	5.0	3.7	2.4	2.8	2.4	2.8	8.0