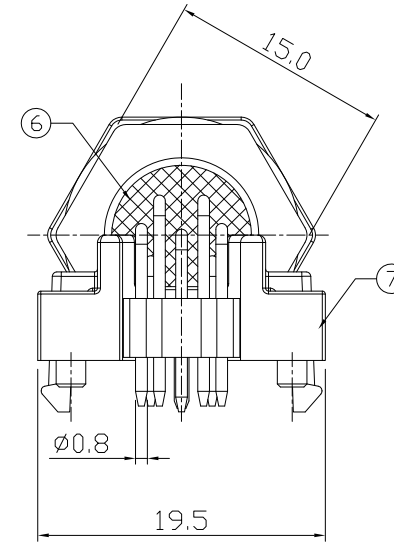
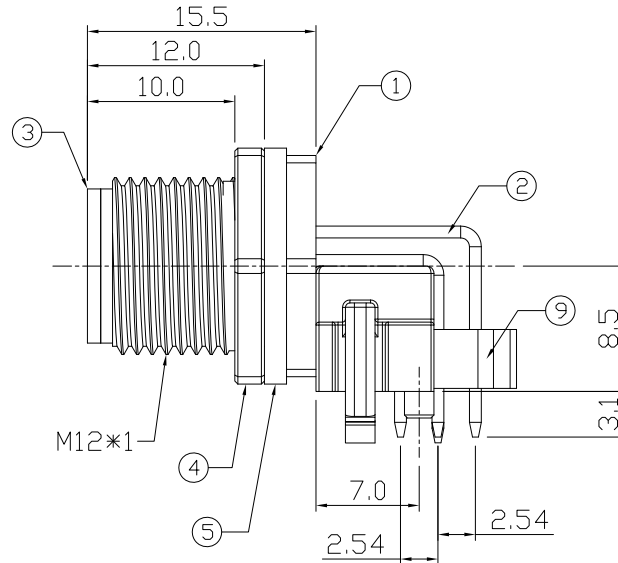
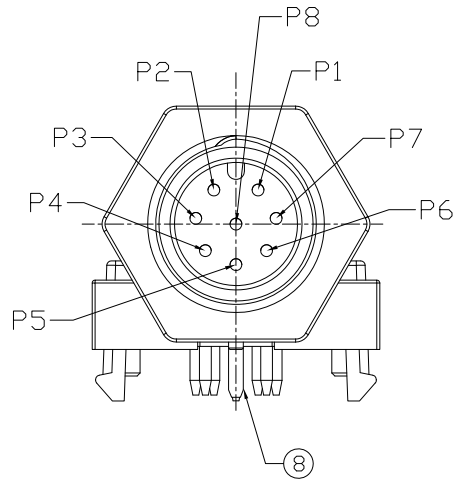


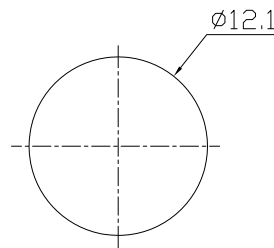
Notes: (Unless Otherwise Specified)

- 1. WaterProof Rate : IP68
- 2. Recommend Panel Thickness: 0.8 to 1.5 mm
- 3. Recommend Torque: 9~10 Kgf-cm
- 4. RoHS Compliant.

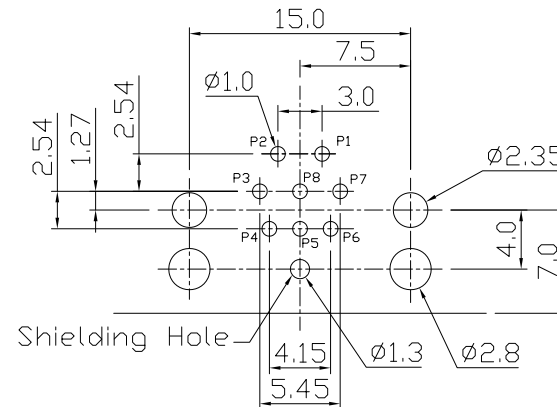
REV	ECN#	DESCRIPTION OF REVISION	DRAW BY DATE	CHECK BY DATE	APPROVE BY DATE
01			Lucas 03/16/20	Lucas 03/16/20	Ray 03/16/20



9	Positioning	Silicone Color: Black	1
8	Shielding shell	Copper Alloy Finish: Sn	1
7	Support	Thermoplastic Color: Black	1
6	Glue	Epoxy Color: Black	
5	Gasket	NBR Color: Black	1
4	Hex Nut	Copper Alloy Finish: Ni Plated	1
3	Housing	Thermoplastic Color: Black	1
2	Contacts	Copper Alloy Finish: Au Plated	8
1	Shielding Case	Copper Alloy Finish: Ni Plated	1
Item	Part Name	Material / Finish	Q'ty



Recommend Panel Cut-Out



Recommend PCB Layout
Thickness of PCB: 1.6mm

GTC
DOC.CENTER.ISSUE
MAR.16.2020
ONLY FOR
RELEASE

TITLE						DRAWING NUMBER			REV.	
M12 2A 8P Panel Male Shielding Dip 90°						GT271112-46080			01	
THIRD ANGLE PROJECTION	SIZE	SCALE	DRAW / DATE	CHECK / DATE	APPROVE / DATE	TOLERANCES		UNIT	SHEET	
	B	1:1	Lucas 03/16/20	Lucas 03/16/20	Ray 03/16/20	XX ± 0.5 XXX ± 0.2	XXX ± 0.05 ANGLES ± 1°	mm	1/1	

GT Contact CO.,LTD

NOTICE OF PROPRIETARY PROPERTY:
THE INFORMATION CONTAINED HEREIN IS THE PROPRIETARY PROPERTY OF GT Contact CO.,LTD THE POSSESSOR AGREES TO THE FOLLOWING:
(A) TO MAINTAIN THIS DOCUMENT IN CONFIDENCE
(B) NOT TO REPRODUCE OR COPY IT
(C) NOT TO REVEAL OR PUBLISH IT IN WHOLE OR PART
(D) ALL RIGHTS RESERVED