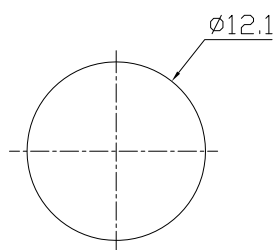
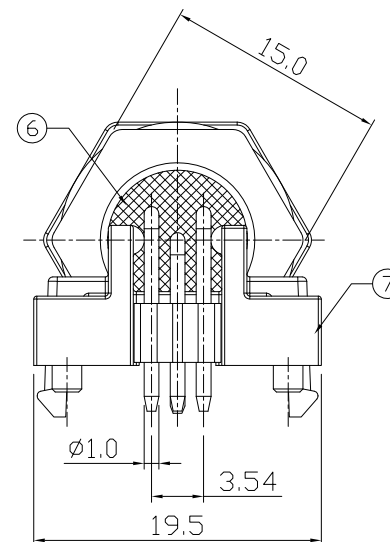
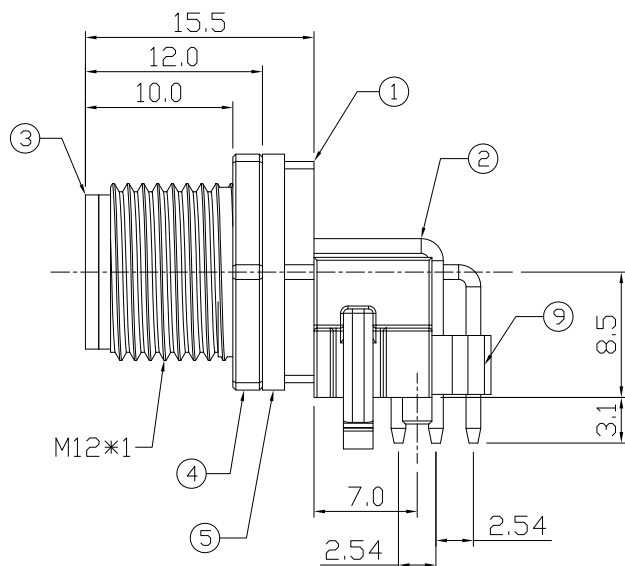
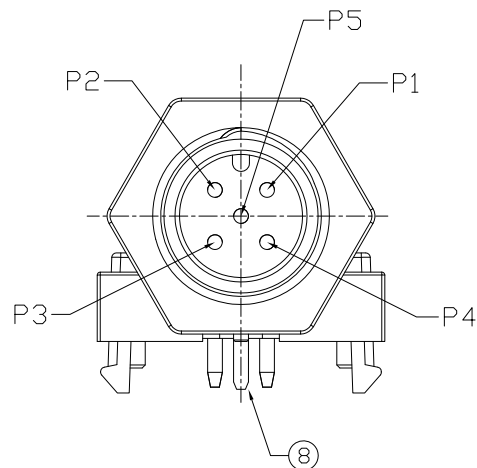


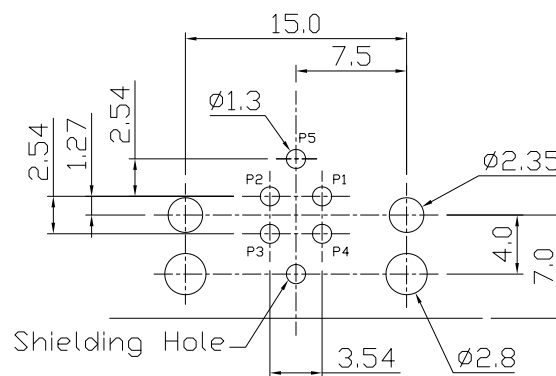
Notes: (Unless Otherwise Specified)

1. WaterProof Rate : IP68
2. Recommend Panel Thickness: 0.8 to 1.5 mm
3. Recommend Torque: 9~10 Kgf-cm
4. RoHS Compliant.

REV	ECN#	DESCRIPTION OF REVISION	DRAW BY DATE	CHECK BY DATE	APPROVE BY DATE
A0	ECN-200210	Add Positioning	Lucas 02/18/20	Lucas 02/18/20	Ray 02/18/20



Recommend
Panel Cut-Out



Recommend PCB Layout
Thickness of PCB: 1.6mm

GTC
DOC.CENTER.ISSUE
FEB.18.2020
ONLY FOR
RELEASE

Item	Part Name	Material / Finish	Q'ty
9	Positioning	Silicone Color: Black	1
8	Shielding shell	Copper Alloy Finish: Sn	1
7	Support	Thermoplastic Color: Black	1
6	Glue	Epoxy Color: Black	1
5	Gasket	NBR Color: Black	1
4	Hex Nut	Copper Alloy Finish: Ni Plated	1
3	Housing	Thermoplastic Color: Black	1
2	Contacts	Copper Alloy Finish: Au Plated	5
1	Shielding Case	Copper Alloy Finish: Ni Plated	1

TITLE	DRAWING NUMBER	REV.
M12 4A 5P Panel Male Shielding Dip 90°	GT271112-41050	A0

THIRD ANGLE PROJECTION	SIZE	SCALE	DRAW / DATE	CHECK / DATE	APPROVE / DATE	TOLERANCES	UNIT	SHEET
THIRD ANGLE PROJECTION	B	1:1	Lucas 09/06/19	Lucas 09/06/19	Ray 09/06/19	X.X ± 0.5 X.XX ± 0.2	mm	1/1

GT Contact CO.,LTD

NOTICE OF PROPRIETARY PROPERTY:
THE INFORMATION CONTAINED HEREIN IS THE PROPRIETARY PROPERTY OF GT Contact CO.,LTD THE POSSESSOR AGREES TO THE FOLLOWING:
(A) TO MAINTAIN THIS DOCUMENT IN CONFIDENCE
(B) NOT TO REPRODUCE OR COPY IT
(C) NOT TO REVEAL OR PUBLISH IT IN WHOLE OR PART
(D) ALL RIGHTS RESERVED