

1

2

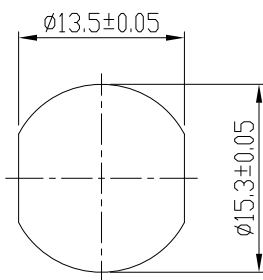
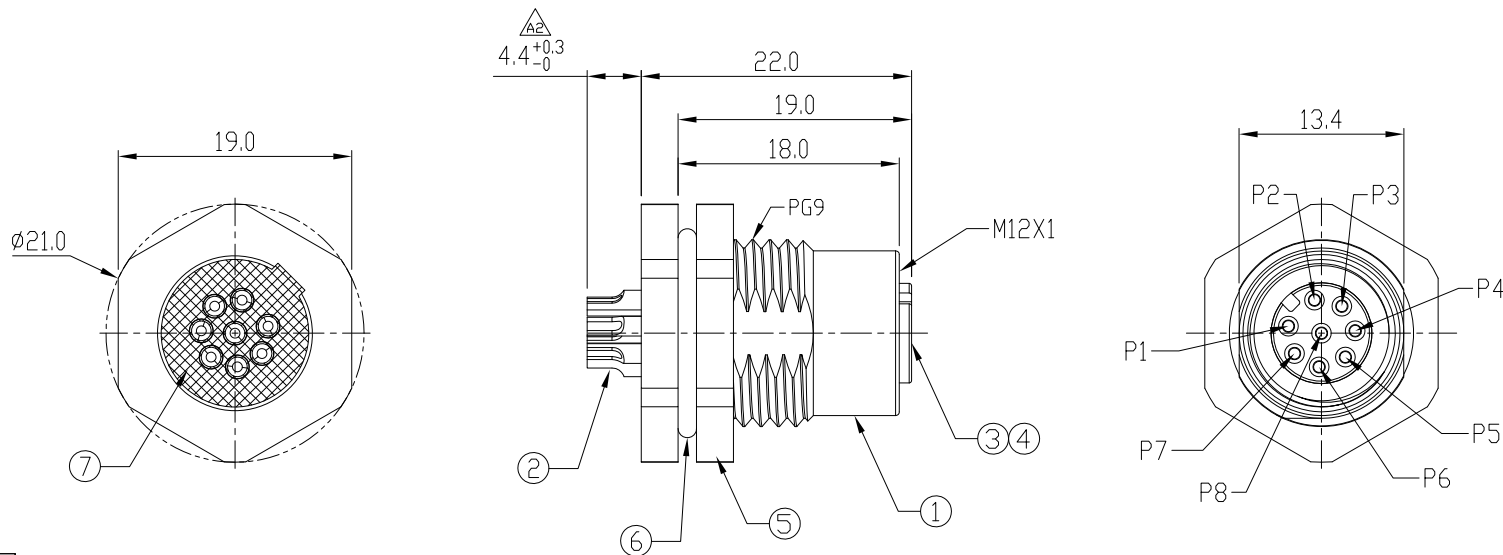
3

4

Notes: (Unless Otherwise Specified)

- 1. Waterproof Rate: IP68.
- 2. Recommend Panel Thickness: 0.8 To 5.0 mm.
- 3. Recommend Torque: 9~10 Kgf-cm.
- 4. Durability: 100 Cycles Min.
- 5. DWV: 650 Vrms
- 6. Rated Voltage: 30V AC/DC.
- 7. Insulation Resistance: 100 MΩ Min.
- 8. RoHS Compliant.

REV	ECN#	DESCRIPTION OF REVISION	DRAW BY DATE	CHECK BY DATE	APPROVE BY DATE
A1		Redraw	Vicky 05/26/11	Lucas 05/26/11	Ray 05/26/11
A2	ECN-141011	1. Change Shielding Case & Hosing 2. Base removed 3. Material Item No. Redraw	Hank 12/26/14	Lucas 12/26/14	Ray 12/26/14



Recommend Panel Cut-Out

GTC  
 DOC.CENTER.ISSUE  
 JAN.05.2015  
 ONLY FOR  
 RELEASE

Item	Part Name	Material / Finish	Q'ty
7	Glue	Epoxy Color: Black	
6	O-Ring	NBR Color: Black	1
5	Hex Nut	Copper Alloy Finish: Ni Plated	1
4	O-Ring	Silicone Color: Red	1
3	Housing	Thermal Plastic Color: Black	1
2	Contacts	Copper Alloy Finish: Au Plated	8
1	Shielding Case	Copper Alloy Finish: Ni Plated	1

TITLE	DRAWING NUMBER	REV.
M12 A-Coding 2A 8P Panel Front Mount Female Solder	GT234102-01080	A2

THIRD ANGLE PROJECTION	SIZE	SCALE	DRAW / DATE	CHECK / DATE	APPROVE / DATE	TOLERANCES	UNIT	SHEET
	B	2:1	Vicky 12/20/10	Lucas 12/20/10	Ray 12/20/10	X.X ± 0.5 X.XX ± 0.2 ANGLES ± 1°	mm	1/1

GT Contact CO.,LTD

NOTICE OF PROPRIETARY PROPERTY:  
 THE INFORMATION CONTAINED HEREIN IS THE PROPRIETARY PROPERTY OF GT Contact CO.,LTD THE POSSESSOR AGREES TO THE FOLLOWING:  
 (i) TO MAINTAIN THIS DOCUMENT IN CONFIDENCE  
 (ii) NOT TO REPRODUCE OR COPY IT  
 (iii) NOT TO REVEAL OR PUBLISH IT IN WHOLE OR PART  
 (iv) ALL RIGHTS RESERVED

1

2

3

4