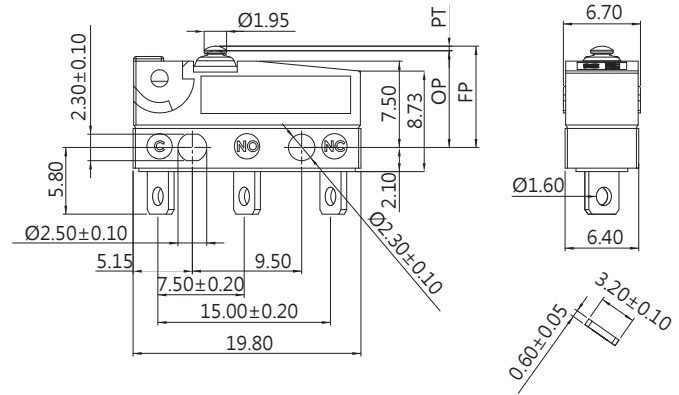


DIMENSIONS

 Unless otherwise specified, a tolerance of $\pm 0.4\text{mm}$ applies to all dimensions.


SW2 SERIES

SPECIFICATIONS
Contact Resistance (initial)

 Max. 300m Ω

Measured by ohm meter - open voltage < 1VDC, driver current -100 mA

Insulation Resistance (at 500VDC/minute)

 Min. 100M Ω
Dielectric Strength

Min. 500VAC(50-60HZ)/minute between Live parts.

Min. 1500VAC(50-60HZ)/minute between Live parts and dead metal parts

Operating Temperature Range

-40°C to 125°C (with no icing)

Vibration

10~55Hz, displacement 0.75 mm (p-p)

Electrical Service Life

Min. 10,000 operations

Electrical Operating Frequency

10~30 operations per minute

Mechanical Service Life

Min. 2,000,000 operations

Mechanical Operating Frequency

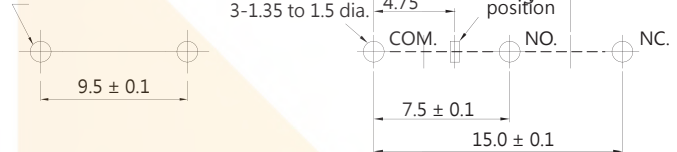
120 operations per minute

Operating application of the switch

Set the switch pushing distance from 60% to 90% of the specified OT value

MOUNTING HOLES

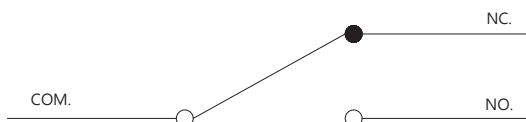
2-2.4 dia. mounting holes or M2.3 screw holes.


CERTIFICATE INFORMATION

Model Name	UL · cUL	ENEC
SW2-C1	0.1RA 125/250VAC uT125 1E4	0.1A 125/250VAC uT125 1E4
SW2-C3	3GPA 125/250VAC uT125 1E4	3A 125/250VAC uT125 1E4
SW2-06	5RA 30VDC uT125 1E4	5A 30VDC uT125 1E4
	6GPA 125/250VAC uT125 1E4	6A 125/250VAC uT125 1E4
SW2-H10	5RA 30VDC uT125 1E4	5A 30VDC uT125 1E4
	10RA125/250VAC uT125 1E4	
	10GPA 125/250VAC uT125 1E4	
	1/4HP 125/250VAC uT125 1E4	10(2)A 125/250VAC uT125 1E4

TYPICAL APPLICATIONS

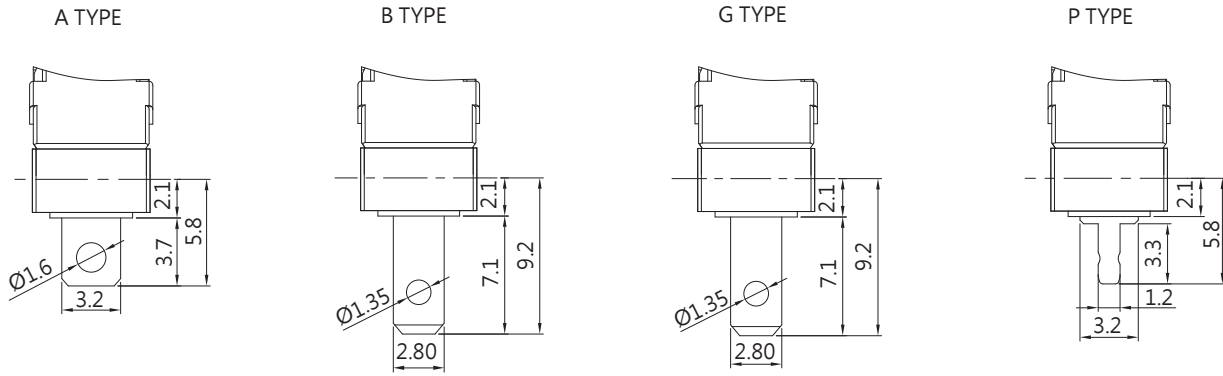
Small Household Appliances including coffee machines, HEVAC, Joysticks, Industrial, Pumps and Valves

CONTACT CONFIGURATION

THE SELECTION OF RATING & FORCE

MODEL	Rating	L	S	H
SW2	0.1A	*	*	*
	3A	*	*	*
	6A	*	*	*
	1/4 hp 10A 10(2)A		*	*

NOTE : The Symbol " * " to represent the result is accepted

TERMINAL TYPES (The thickness of each terminal is 0.6 mm)



Terminal t=0.5mm

ORDERING INFORMATION

S	W	2	—	0	6	S	1	—	0	0	A	0	—	Z					
SERIES PREFIX	C O D E		RATING CURRENT	C O D E		OPERTING FORCE	C O D E		COVER TYPE	C O D E		ACTUATOR TYPE	C O D E		TERMINAL TYPE	C O D E		CIRCUIT ARRANGEMENT	ROHS CODE
	C1	0.1A	125/250 VAC	H	HEAVIER	0		00		A		0	S.P.D.T						
	C3	3A	125/250 VAC	S	STANDARD	1		01		B		1	S.P.S.T NO						
	06	6A	125/250 VAC	L	LIGHT			02		P		2	S.P.S.T NC						
	H10	10A	125/250 VAC					03		G									
		10(2)A	125/250 VAC																
		1/4 hp	125/250 VAC																

#NOTE		
1	RATING CURRENT	OPERATING FORCE
	Code:C1	L, S, H
	Code:C3	L, S, H
	Code:06	L, S, H
	Code:H10	S, H

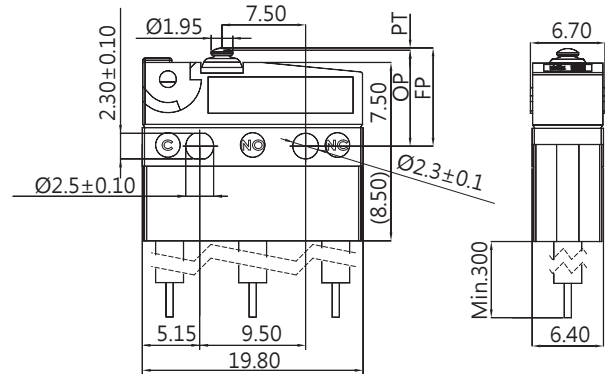
OPERATING CHARACTERISTICS

SWITCH TYPE	PART SUFFIX	OF Max. (gf)		OP (mm)	PT Max. (mm)	OT Min. (mm)	MD Max. (mm)	FP Max. (mm)	RF Min. (gf)	
		H	S						H	S
SW2- □□□□ -00 □□ -Z		H	300	8.4 ± 0.3	1.2	0.4	0.2	9.9	H	70
		S	203						S	50
		L	150						L	30
SW2- □□□□ -01 □□ -Z		H	121	8.8 ± 1.1	4.3	0.6	0.6	1.2	H	17
		S	82						S	16
		L	73						L	14
SW2- □□□□ -02 □□ -Z		H	105	8.8 ± 1.2	4.8	0.67	0.7	12.4	H	14
		S	66						S	13
		L	55						L	11
SW2- □□□□ -03 □□ -Z		H	72	8.8 ± 1.6	6.3	0.89	0.9	13.5	H	12
		S	54						S	11
		L	29						L	6
SW2- □□□□ -04 □□ -Z		H	106	10.7 ± 1.2	4.6	0.64	0.75	14.3	H	15
		S	68						S	14
		L	42						L	7
SW2- □□□□ -05 □□ -Z		H	100	14.5 ± 1.1	4.3	0.6	0.6	17.7	H	16
		S	72						S	15
		L	54						L	4
SW2- □□□□ -06 □□ -Z		H	165	8.8 ± 0.9	3.2	1.0	0.5	11.1	H	23
		S	98						S	21
		L	66						L	10
SW2- □□□□ -07 □□ -Z		H	65	8.8 ± 2.6	10.1	1.5	2.3	16.3	H	8
		S	39						S	8
		L	33						L	1
SW2- □□□□ -08 □□ -Z		H	106	11.3 ± 1.3	4.9	0.6	0.8	14.9	H	14
		S	68						S	13
		L	42						L	6
SW2- □□□□ -09 □□ -Z		H	50	8.8 ± 3.5	13.8	1.0	3.6	19.1	H	7
		S	33						S	7
		L	23						L	1



DIMENSIONS

Unless otherwise specified, a tolerance of ±0.4mm applies to all dimensions.



SW2 (IP67) SERIES

TYPICAL APPLICATIONS

Small Household Appliances including coffee machines, HEVAC, Joysticks, Industrial, Pumps and Valves

CERTIFICATE INFORMATION

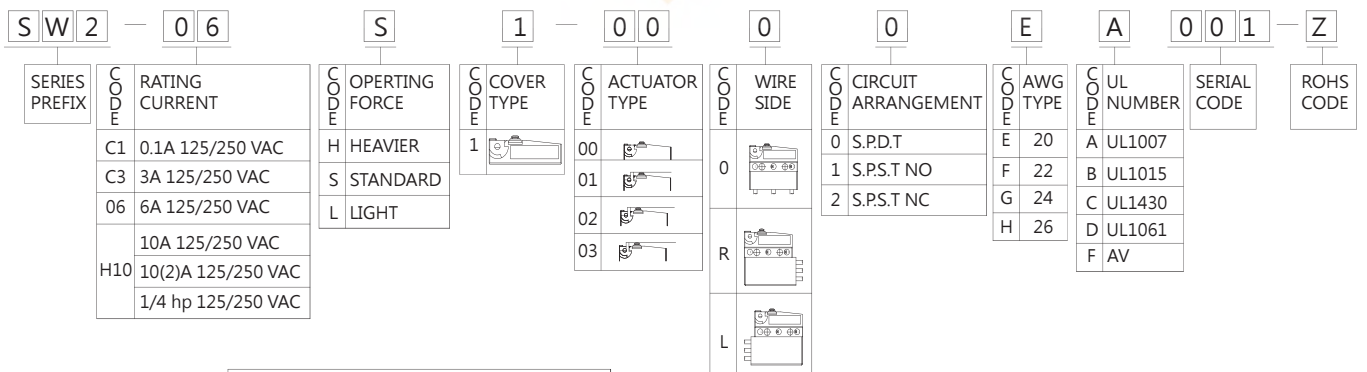
Model Name	UL · cUL	ENEC
SW2-C1	0.1RA 125/250VAC uT55 1E4	0.1A 125/250VAC uT55 1E4
SW2-C3	3GPA 125/250VAC uT55 1E4	3A 125/250VAC uT55 1E4
SW2-06	5RA 30VDC uT55 1E4	5A 30VDC uT55 1E4
	6GPA 125/250VAC uT55 1E4	6A 125/250VAC uT55 1E4
SW2-H10	5RA 30VDC uT55 1E4	5A 30VDC uT55 1E4
	10RA125/250VAC uT55 1E4	10(2)A 125/250VAC uT55 1E4
	10GPA 125/250VAC uT55 1E4 1/4HP 125/250VAC uT55 1E4	

THE SELECTION OF RATING & FORCE

MODEL	Rating	L	S	H
SW2	0.1A	*	*	*
	3A	*	*	*
	6A	*	*	*
	1/4 hp 10A 10(2)A		*	*

NOTE : The Symbol " * " to represent the result is accepted

ORDERING INFORMATION



#NOTE

	RATING CURRENT	AWG TYPE	LEADS WIRE	OPERATING FORCE
1	Code:C1	20~26	Min.30cm	L, S, H
	Code:C3	20~26	Min.30cm	L, S, H
	Code:06	20,22	Min.30cm	L, S, H
	Code:H10	20	Min.30cm	S, H
2	UL number code:F.AV wire(no safety).			