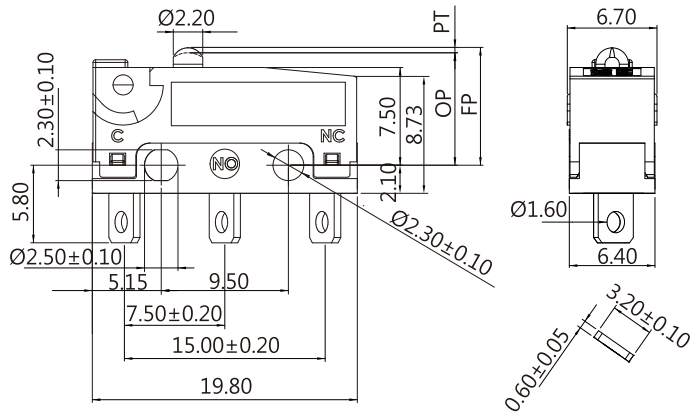



**DIMENSIONS**

 Unless otherwise specified, a tolerance of  $\pm 0.4\text{mm}$  applies to all dimensions.


## SW2 SERIES

**SPECIFICATIONS**
**Contact Resistance (initial)**

 Max. 300m $\Omega$ 

Measured by ohm meter - open voltage &lt; 1VDC, driver current -100 mA

**Insulation Resistance ( at 500VDC/minute )**

 Min. 100M $\Omega$ 
**Dielectric Strength**

Min. 500VAC(50-60HZ)/minute between Live parts.

Min. 1500VAC(50-60HZ)/minute between Live parts and dead metal parts

**Operating Temperature Range**

-40°C to 125°C ( with no icing )

**Vibration**

10~55Hz, displacement 0.75 mm (p-p)

**Electrical Service Life**

Min. 10,000 operations

**Electrical Operating Frequency**

10~30 operations per minute

**Mechanical Service Life**

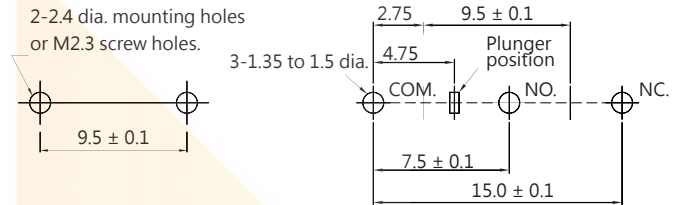
Min. 2,000,000 operations

**Mechanical Operating Frequency**

120 operations per minute

**Operating application of the switch**

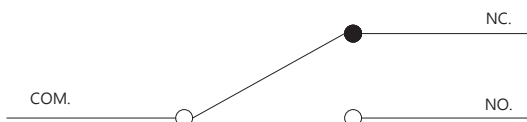
Set the switch pushing distance from 60% to 90% of the specified OT value

**MOUNTING HOLES**

**CERTIFICATE INFORMATION**

Model Name	UL · cUL	ENEC
SW2-C1	0.1RA 125/250VAC uT125 1E4	0.1A 125/250VAC uT125 1E4
SW2-C3	3GPA 125/250VAC uT125 1E4	3A 125/250VAC uT125 1E4
SW2-06	5RA 30VDC uT125 1E4	5A 30VDC uT125 1E4
	6GPA 125/250VAC uT125 1E4	6A 125/250VAC uT125 1E4
SW2-10	5RA 30VDC uT125 1E4	5A 30VDC uT125 1E4
	10RA125/250VAC uT125 1E4	10(2)A 125/250VAC uT125 1E4
	10GPA 125/250VAC uT125 1E4	
SW2-H10	5RA 30VDC uT125 1E4	5A 30VDC uT125 1E4
	10RA125/250VAC uT125 1E4	10(2)A 125/250VAC uT125 1E4
	10GPA 125/250VAC uT125 1E4	
	1/4HP 125/250VAC uT125 1E4	

**TYPICAL APPLICATIONS**

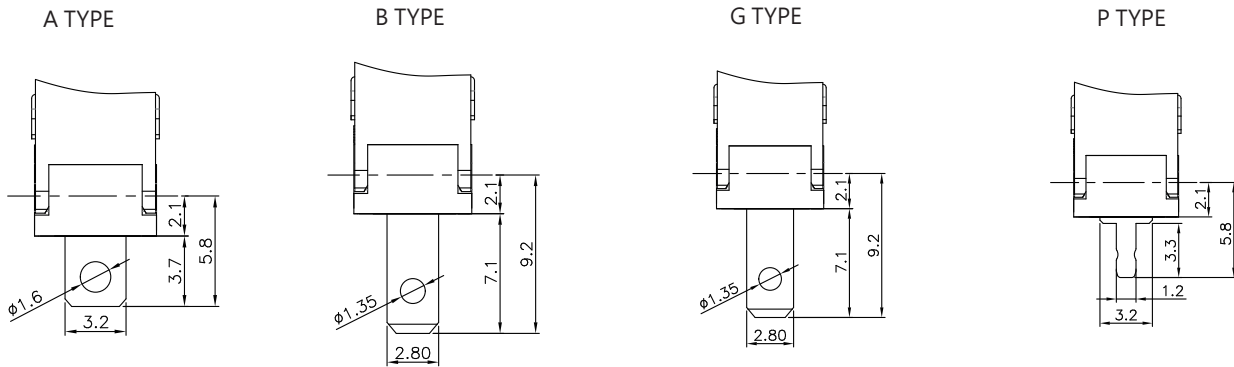
Small Household Appliances including Coffee Machines, HEVAC, Joysticks, Printers and Computer Peripherals, Industrial

**CONTACT CONFIGURATION**

**THE SELECTION OF RATING & FORCE**

MODEL	Rating	L	S	H
SW2	0.1A	*	*	*
	3A	*	*	*
	6A	*	*	*
	10A 10(2)A		*	*
	1/4 hp 10A 10(2)A		*	*

NOTE : The Symbol " \* " to represent the result is accepted

TERMINAL TYPES ( The thickness of each terminal is 0.6 mm )



Terminal t=0.5mm

ORDERING INFORMATION

<b>S</b>	<b>W</b>	<b>2</b>	—	<b>0</b>	<b>6</b>	<b>S</b>	<b>0</b>	—	<b>0</b>	<b>0</b>	<b>A</b>	<b>0</b>	—	<b>Z</b>				
SERIES PREFIX				RATING CURRENT		OPERATING FORCE			COVER TYPE		ACTUATOR TYPE		TERMINAL TYPE		CIRCUIT ARRANGEMENT		ROHS CODE	
				C1	0.1A 125/250 VAC	H	HEAVIER	0		00		A		0	S.P.D.T			
				C3	3A 125/250 VAC	S	STANDARD			01		B		1	S.P.S.T NO			
				06	6A 125/250 VAC	L	LIGHT			02		P		2	S.P.S.T NC			
				10	10A 125/250 VAC					03		G						
				10(2)A	125/250 VAC													
				H10	10A 125/250 VAC													
				H10	10(2)A 125/250 VAC													
				H10	1/4 hp 125/250 VAC													

#NOTE		
1	RATING CURRENT	OPERATING FORCE
	Code:C1	L, S, H
	Code:C3	L, S, H
	Code:06	L, S, H
	Code: 10	S, H
	Code:H10	S, H

OPERATING CHARACTERISTICS

SWITCH TYPE	PART SUFFIX	OF Max. (gf)		OP (mm)	PT Max. (mm)	OT Min. (mm)	MD Max. (mm)	FP Max. (mm)	RF Min. (gf)	
		H	S						H	S
SW2- □□□□ -00 □□ -Z		H	300	8.4 ± 0.3	1.2	0.4	0.2	9.9	H	70
		S	203						S	50
		L	150						L	30
SW2- □□□□ -01 □□ -Z		H	121	8.8 ± 1.1	4.3	0.6	0.6	1.2	H	17
		S	82						S	16
		L	73						L	14
SW2- □□□□ -02 □□ -Z		H	105	8.8 ± 1.2	4.8	0.67	0.7	12.4	H	14
		S	66						S	13
		L	55						L	11
SW2- □□□□ -03 □□ -Z		H	72	8.8 ± 1.6	6.3	0.89	0.9	13.5	H	12
		S	54						S	11
		L	29						L	6
SW2- □□□□ -04 □□ -Z		H	106	10.7 ± 1.2	4.6	0.64	0.75	14.3	H	15
		S	68						S	14
		L	42						L	7
SW2- □□□□ -05 □□ -Z		H	100	14.5 ± 1.1	4.3	0.6	0.6	17.7	H	16
		S	72						S	15
		L	54						L	4
SW2- □□□□ -06 □□ -Z		H	165	8.8 ± 0.9	3.2	1.0	0.5	11.1	H	23
		S	98						S	21
		L	66						L	10
SW2- □□□□ -07 □□ -Z		H	65	8.8 ± 2.6	10.1	1.5	2.3	16.3	H	8
		S	39						S	8
		L	33						L	1
SW2- □□□□ -08 □□ -Z		H	106	11.3 ± 1.3	4.9	0.6	0.8	14.9	H	14
		S	68						S	13
		L	42						L	6
SW2- □□□□ -09 □□ -Z		H	50	8.8 ± 3.5	13.8	1.0	3.6	19.1	H	7
		S	33						S	7
		L	23						L	1