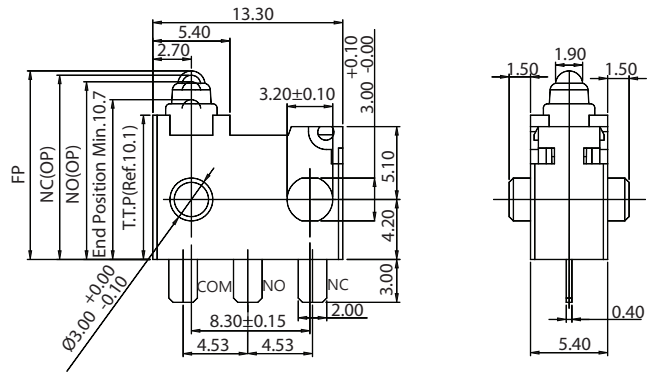


DIMENSIONS

 Unless otherwise specified, a tolerance of $\pm 0.4\text{mm}$ applies to all dimensions


DW3 SERIES

SPECIFICATIONS
Contact Resistance (initial)

Max. 1Ω

Measured by ohm meter –Open Voltage <1VDC, Driver current -100mA

Insulation Resistance (at 100VDC/minute)

Min. 100MΩ

Dielectric Strength

Min. 600VAC(50-60HZ)/minute between Live parts.

Operating Temperature Range

-40°C to 85°C (with no icing)

Vibration

10~55Hz, displacement 0.75 mm (p-p)

Electrical Service Life

100mA 30VDC- Min. 300,000 operations

50mA 16VDC- Min. 500,000 operations

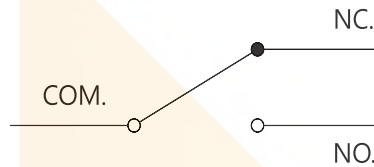
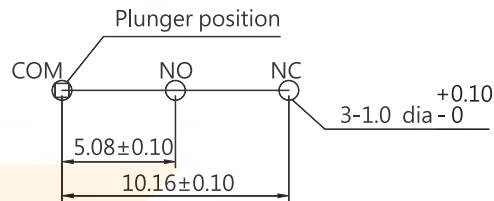
1mA 5VDC- Min. 500,000 operations

Electrical Operating Frequency

Max. 120 operations per minute

Operating application of the switch

Set the switch pushing distance from 60% to 90% of the specified OT value

CONTACT CONFIGURATION

MOUNTING HOLES

TYPICAL APPLICATIONS

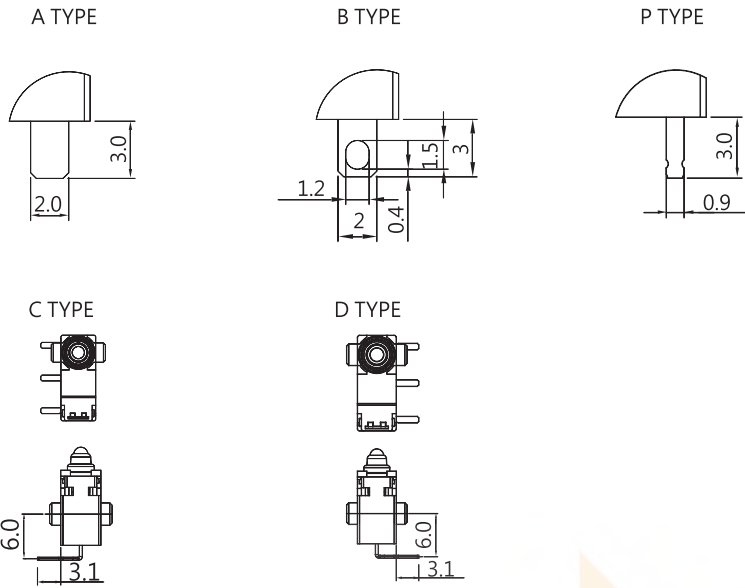
Automotive (detection of door opening/closing, gear lever etc.),

Household Appliances (gas stoves, vacuum cleaners, washing machines etc.),

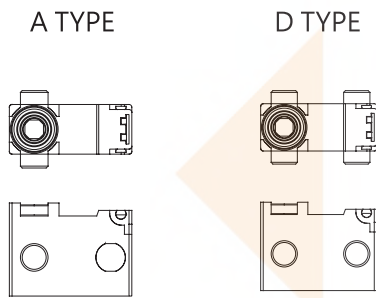
Industrial

D	W	3	-	G	1	S	-	0	0	A	0	A	-	0	A	-	Z
SERIES PREFIX	CODE	RATING CURRENT	CODE	OPERATING FORCE	CODE	ACTUATOR TYPE	CODE	TERMINAL TYPE	CODE	CIRCUIT ARRANGEMENT	CODE	PILLAR TYPE	SERIAL CODE	ROHS CODE	DIMENSIONS L1		
	P1	0.1A 30VDC 0.05A 16VDC 0.001A 5VDC Contact Plated Silver	S	STANDARD	00		A		0	S.P.D.T	A						
	G1	0.1A 30VDC 0.05A 16VDC 0.001A 5VDC Contact Plated Gold			A01		B				D						
							C				P						
							D										
							P										

TERMINAL TYPES(The thickness of each terminal is 0.4 mm)



COVER TYPES (PILLAR & TRAVEL TYPES)

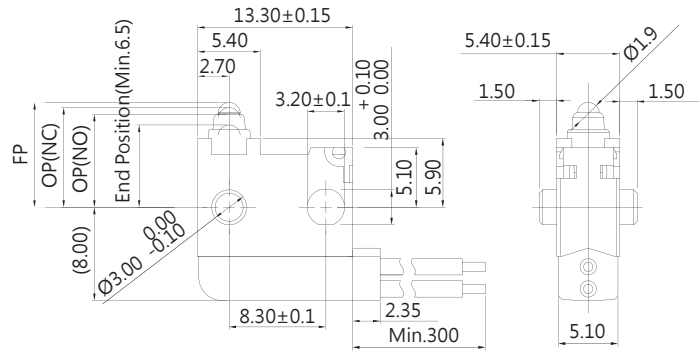


OPERATING CHARACTERISTICS

SWITCH TYPE	PART SUFFIX	OF Max (gf)	FP Max (mm)	NC-OP (mm)	NO-OP (mm)	NC-OT Min.(mm)	NO-OT Min. (mm)
DW3- □□ -00A0-Z		S 153	13.4	12.9±0.3	12.6±0.3	2.5	2.2
			9.2	8.7±0.3	8.4±0.3		
DW3- □□ -A01A0-Z		S 185	15.7	14.0±0.6	13.45±0.6	3.0	2.45
			11.5	9.8±0.6	9.25±0.6		

DIMENSIONS

Unless otherwise specified, a tolerance of ±0.4mm applies to all dimensions



DW3 (IP67) SERIES

TYPICAL APPLICATIONS

Automotive (detection of door opening/closing, gear lever etc.),
Household Appliances (gas stoves, vacuum cleaners, washing machines etc.),
Industrial

ORDERING INFORMATION

DW3	G1	S	00	A	0	M	F	001	A	Z
SERIES PREFIX	CODE	CODE	CODE	CODE	CODE	CODE	CODE	CODE	CODE	CODE
	RATING CURRENT	OPERATING FORCE	ACTUATOR TYPE	PILLAR TYPE	CIRCUIT ARRANGEMENT	AWG TYPE	UL NUMBER	SERIAL CODE	SPECIAL CODE	ROHS CODE
	P1 0.1A 30VDC 0.05A 16VDC 0.001A 5VDC Contact Plated Silver	S STANDARD	00 	A 	0 S.P.D.T 1 S.P.S.T-NO 2 S.P.D.T-NC	M 0.3mm ²	0 AVSS	A 		
	G1 0.1A 30VDC 0.05A 16VDC 0.001A 5VDC Contact Plated Gold		A01 	B 				B 		
				C 				C 		

NOTE: S.P.D.T only for bottom side

CODE	L1	H	ØA	ØB	ØC	ØD	P
A	1.5	5.9	3.0	HOLE 3.2	HOLE 3.0	N/A	8.3
B	5.0	5.9	2.2	2.2	2.6	2.6	8.3
C	1.5	5.9	3.0	3.0	N/A	N/A	8.3