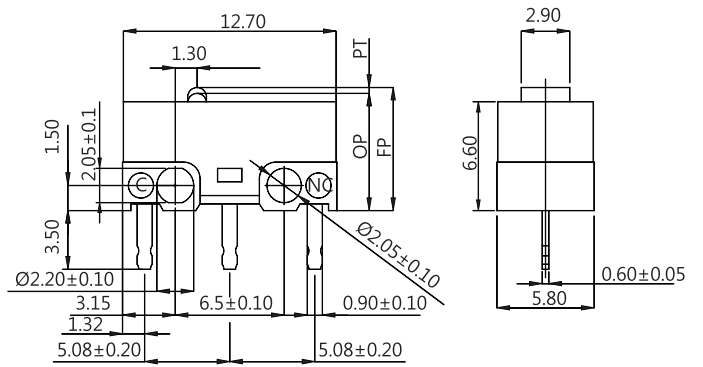




DIMENSIONS

Unless otherwise specified, a tolerance of ±0.4mm applies to all dimensions.



DF SERIES

SPECIFICATIONS

Contact Resistance (initial)

Max. 100mΩ

Measured by ohm meter –Open Voltage <1VDC, Driver current -100mA

Insulation Resistance (at 500VDC/minute)

Min. 100MΩ

Dielectric Strength

Min. 500VAC(50-60HZ)/minute between Live parts

Min. 1500VAC(50-60HZ)/minute between Live parts and dead metal parts

Operating Temperature Range

-40°C to 85°C (with no icing)

Vibration

10~55Hz, displacement 0.75 mm (p-p)

Electrical Service Life

0.1A - Min. 1,000,000 operations

Other ratings - Min. 10,000 operations

Electrical Operating Frequency

10~30 operations per minute

Mechanical Service Life

Min. 1,000,000 operations

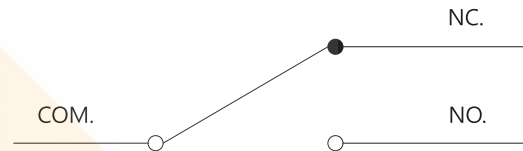
Mechanical Operating Frequency

120 operations per minute

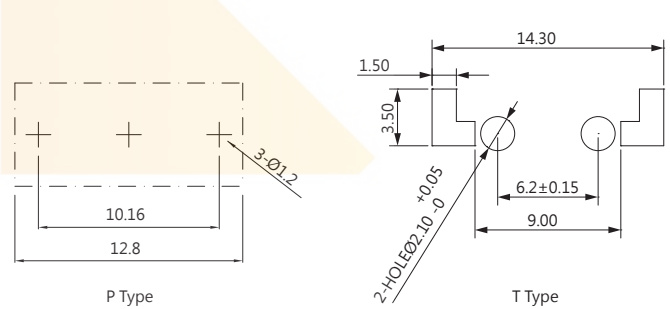
Operating application of the switch

Set the switch pushing distance from 60% to 90% of the specified OT value

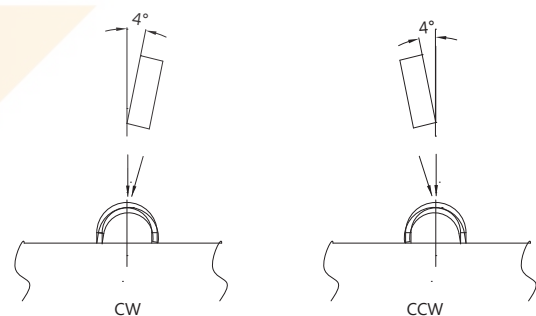
CONTACT CONFIGURATION



MOUNTING HOLES



PRESSING DIRECTION IS SUGGESTED TO BE VERTICAL AND WITH ±4°



Available for the model that mouse has stoppers added more than Min.0.1mm

THE SELECTION OF RATING & FORCE

MODEL	Rating	L	S
DF	0.1A	*	*
	1A	*	*
	3A	*	*

NOTE : The Symbol " * " to represent the result is accepted

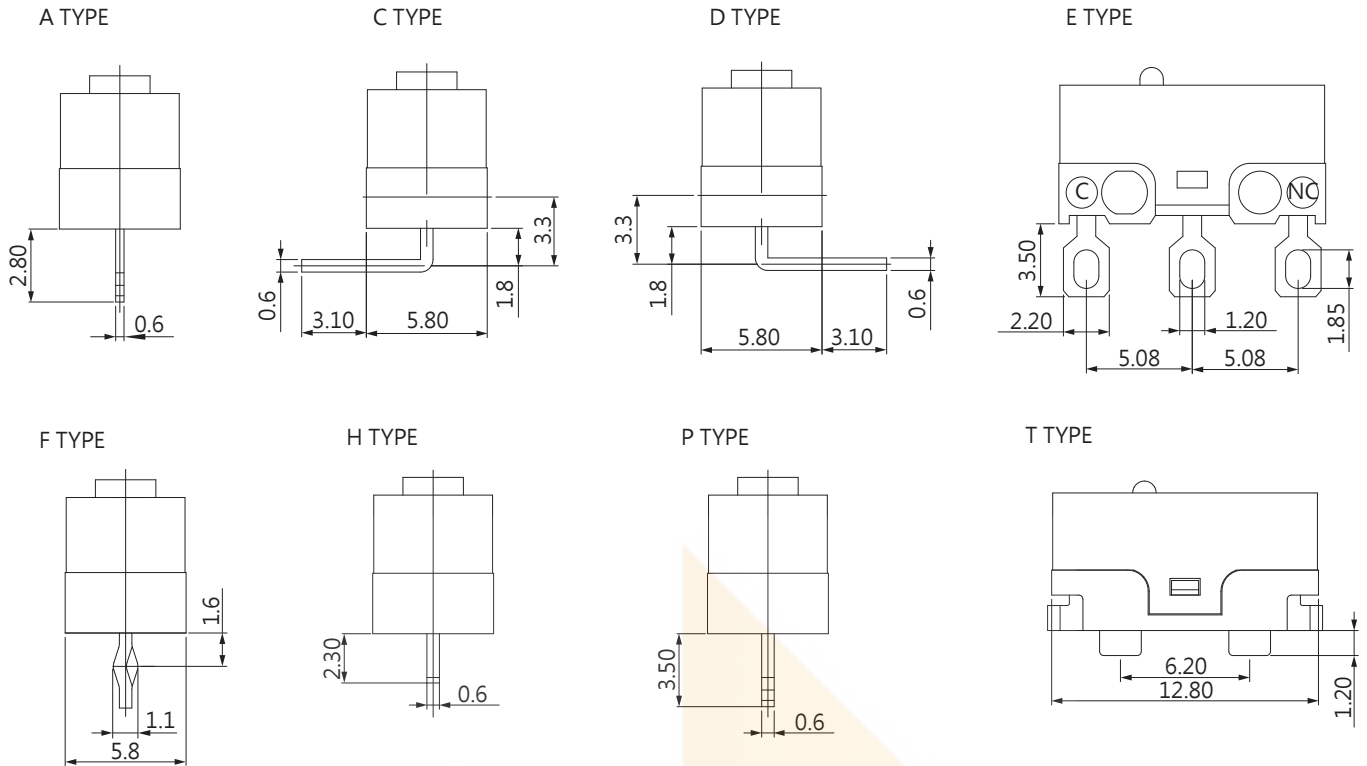
TYPICAL APPLICATIONS

Fire Call Points and Security Systems, Joysticks, Small Household Appliances, HEVAC, Industrial

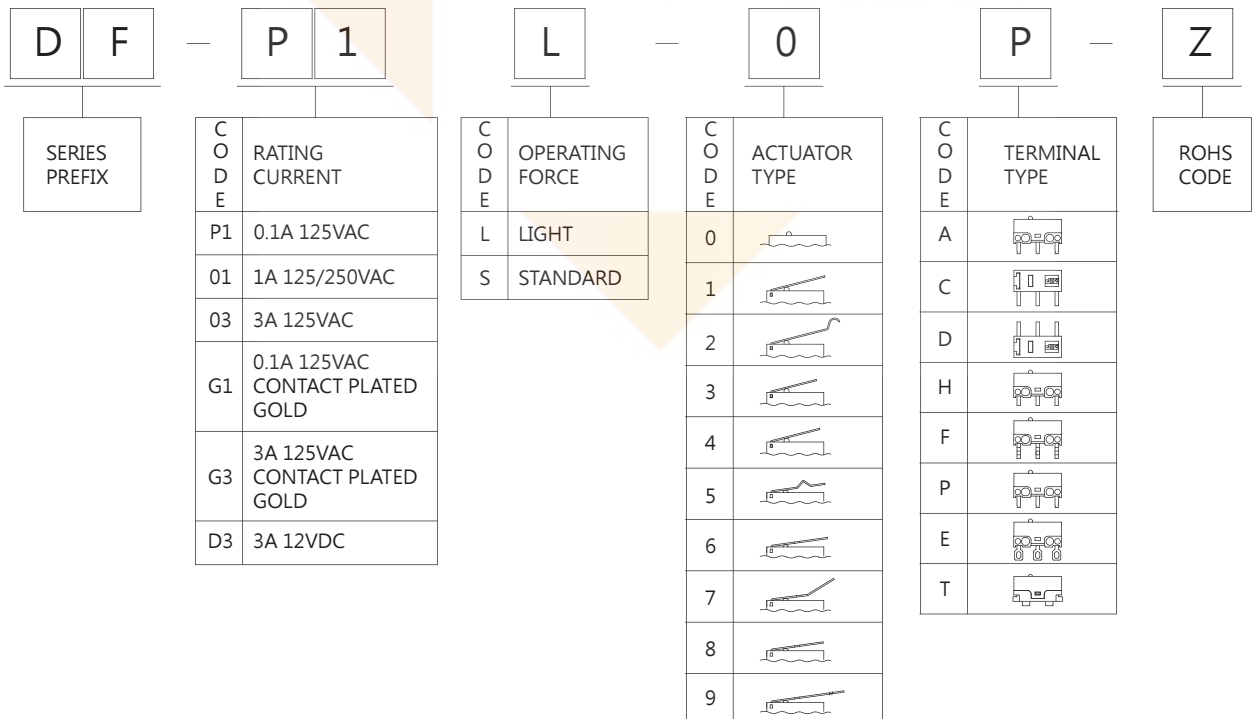
CERTIFICATE INFORMATION

Model Name	UL, cUL	ENEC
DF-01	1RA 125/250VAC μT55 1E4 1RA 24VDC μT55 1E4	1A 125/250VAC μT55 1E4 1A 24VDC μT55 1E4
DF-03	3A 125VAC (Temp:65°C) Min. 6000 operations	3A 125VAC μ T55 1E4
DF-G3	3A 125VAC(Temp:65°C) Min. 6000 operations	Non
DF-D3	3A 5VDC /12VDC (Temp:65°C) Min. 6000 operations	Non

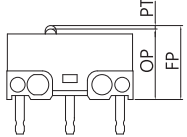
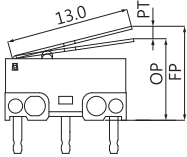
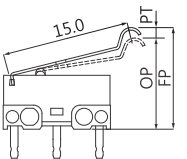
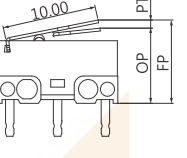
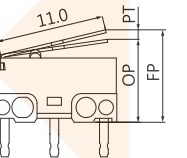
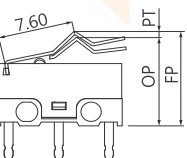
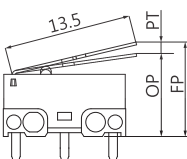
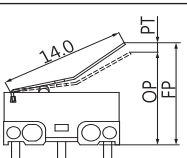
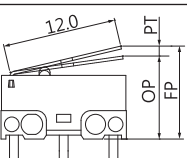
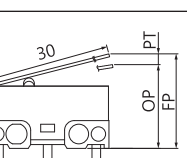
TERMINAL TYPES



ORDERING INFORMATION



OPERATING CHARACTERISTICS

SWITCH TYPE	PART SUFFIX	OF Max. (gf)		OP (mm)	PT Max. (mm)	OT Min. (mm)	MD Max. (mm)	FP Max. (mm)	RF Min. (gf)
		L	S						
DF- □□□ -0 □ -Z		L	80	7.0±0.2	0.62	0.2	0.12	7.35	21
		S	150						35
DF- □□□ -1 □ -Z		L	30	7.9±0.8	3.4	0.6	0.8	10.1	5
		S	56						8
DF- □□□ -2 □ -Z		L	25	9.8±0.9	3.5	0.7	0.92	14.2	5
		S	43						7
DF- □□□ -3 □ -Z		L	35	7.9±0.7	2.1	0.3	0.29	9.3	5
		S	57						12
DF- □□□ -4 □ -Z		L	39	8.0±0.8	2.5	0.5	0.7	10.8	6
		S	69						10
DF- □□□ -5 □ -Z		L	50	9.0±0.6	1.64	0.49	0.3	10.15	5
		S	70						11
DF- □□□ -6 □ -Z		L	30	8.33±0.9	3.5	0.6	0.8	10.6	3
		S	50						8
DF- □□□ -7 □ -Z		L	27	10.75±0.8	3.5	0.3	0.8	13.5	3
		S	48						8
DF- □□□ -8 □ -Z		L	33	8.17±0.8	2.8	0.6	0.7	11.2	5
		S	54						9
DF- □□□ -9 □ -Z		L	13	9.75±1.9	6.9	0.55	1.9	16.8	2
		S	21	9.5±1.9					3