



ZIPPY TECHNOLOGY CORP.



10F, NO.50, MIN CHYUAN ROAD,
SHIN-TIEN CITY, TAIPEI COUNTY,
TAIWAN, R.O.C

TEL: 886-2-2918-8512 / 886-2-2918-0603
FAX: 886-2-2915-5765 / 886-22916-0215
[Http://www.zippy.com.tw](http://www.zippy.com.tw)

APPROVED DATA SHEET

Model: 1001240162(VW1-10S1-04A0-CB001-Z)
=====

ISSUED DATE: 2019.03.11
APPROVED NO.: 1001240162.B
PAGE: 1/4

The undersigned guarantee of the model switches is meets the following specifications.

1.Operation Characteristics

Operating Force (OF) : Max.125 gf
Releasing Force (RF) : Min. 20 gf
Operating Position (OP) : 18.1±0.8 mm
Movement Differential (MD) : Max.1 mm
Over-travel (OT) : Min.1.7 mm
Pre-travel (PT) : Max.3.6 mm

2. Specifications

Initial Contact Resistance : Max. 300 mΩ . (Initial) (For molded lead wire models)
(Measured by ohm meter –Open Voltage<1VDC, Driver current -100mA)
Before measure the switch contact resistance, please press the switch three times on and off.

Initial Dielectric Strength : 500VAC(50-60HZ)/minute between contacts.
1,500VAC(50-60HZ)/minute between Live-parts and dead metal parts.

Insulation Resistance : Min. 100 MΩ (500 VDC/ minute).

Circuit Arrangement : SPDT (Single pole double throw)

Rating : 10A 125/250VAC ; 5A 30VDC

Service Life : Min. 10,000 operations.

Operating Frequency : 10~30 operations per minute.

Safety Certificate : UL, cUL, ENEC

Mechanical Service Life : Min. 1,000,000 operations.
Operating Frequency : Max. 120 operations per minute.

Operating application of the switch : Set the switch pushing distance from 60% to 90% of the specified OT value.

International Protection Code : IP67



ZIPPY TECHNOLOGY CORP.



10F, NO.50, MIN CHYUAN ROAD,
SHIN-TIEN CITY, TAIPEI COUNTY,
TAIWAN, R.O.C

TEL: 886-2-2918-8512 / 886-2-2918-0603
FAX: 886-2-2915-5765 / 886-22916-0215
[Http://www.zippy.com.tw](http://www.zippy.com.tw)

APPROVED DATA SHEET

Model: 1001240162(VW1-10S1-04A0-CB001-Z)
=====

ISSUED DATE: 2019.03.11
APPROVED NO.: 1001240162.B
PAGE: 2/4

3. Environments

Operating Temperature : -40°C ~ 85°C (with no icing)
Vibration Resistance : 10~55Hz, displacement 0.75mm(p-p) 2hr
Shock Resistance : Destruction: 1,000 m/s² {approx. 100G} max.
Malfunction: 300 m/s² {approx. 30G} max.

(For the pin plunger models, the vibration & shock condition apply for use at the free position and total travel position)

(For the lever models, the vibration & shock condition apply for use at the total travel position)

Soldering by hand : 350 °C maximum within 3 seconds.

Note: Wires should not be dragged.

ZIPPY TECHNOLOGY CORP.

許志誠

PREPARED

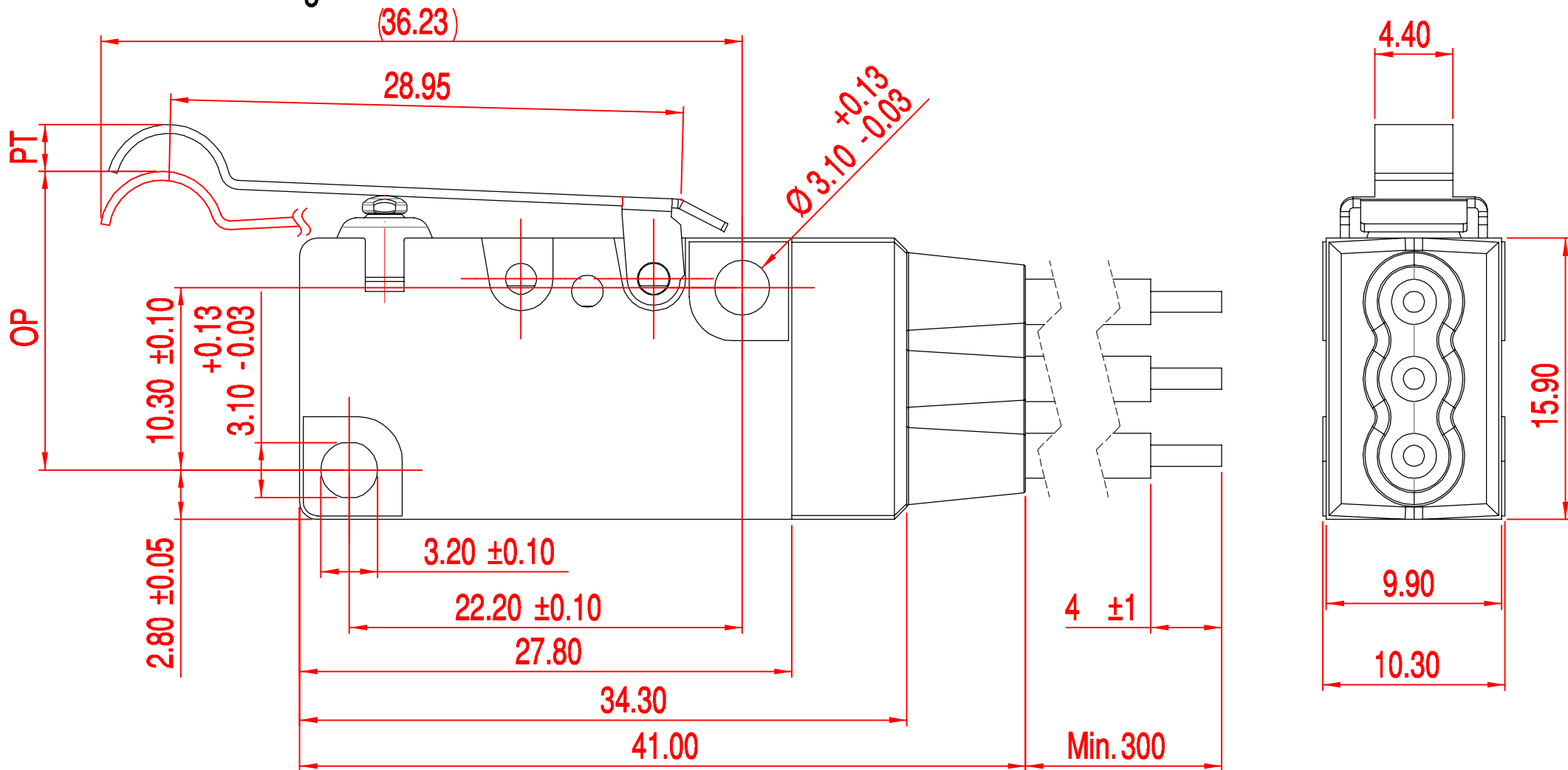
張奕鉸

CHECKED

沈俊榮

APPROVED

Dimensions drawing



COM : BLACK / UL1015 16AWG OR EQUIVALENT

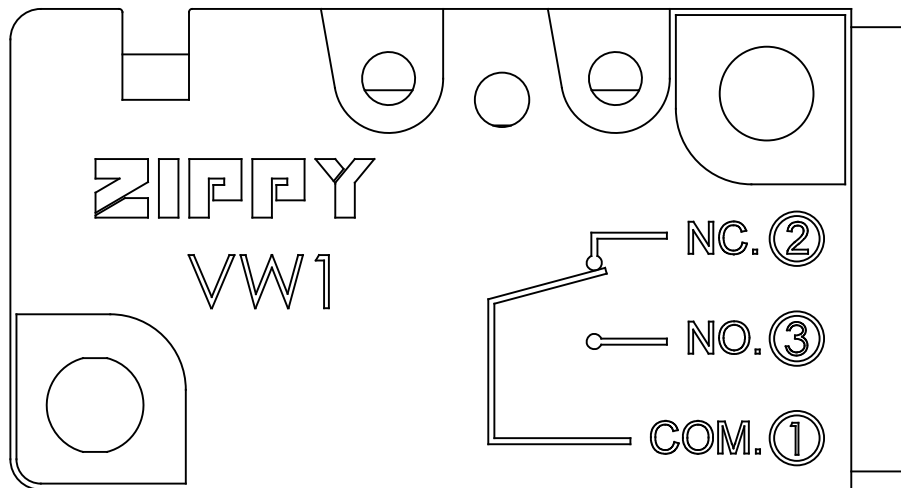
NO : BLUE / UL1015 16AWG OR EQUIVALENT

NC : RED / UL1015 16AWG OR EQUIVALENT

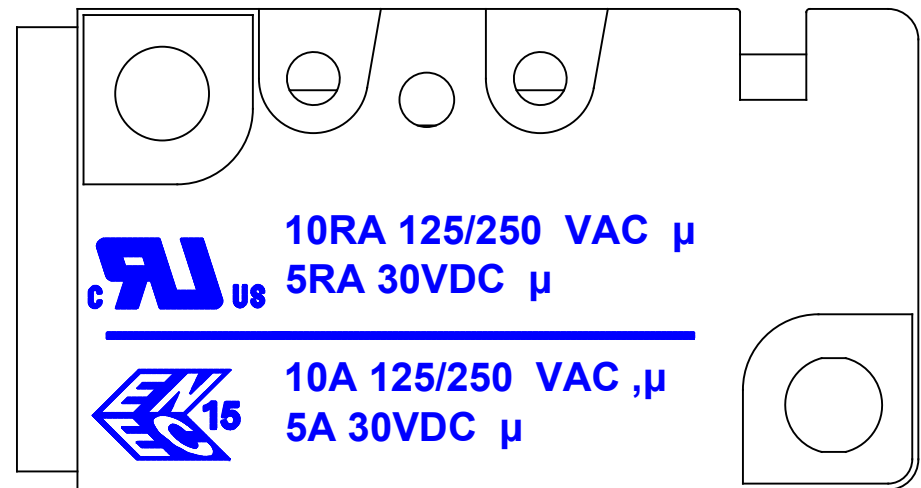
Tolerance	
X. X	± 0.2
XX. X	± 0.4

VIEW		SIZE	A4	UNIT	mm
DATE	OCT-30-2012	VER.	1.0	FILE NAME	VW1-04A0-R-CB001
APPROVAL	李金龍	CONFIRM	張哲維	DESIGN	沈俊榮

Marking drawing



obverse side



reverse side

Markings are either by printing or molding

新巨企業股份有限公司

ZIPPY TECHNOLOGY CORP.

VIEW		SIZE	A4	UNIT	mm
DATE	2019.02.18	VER.	1.0	FILE NAME	VW1-10-u
APPROVAL	沈俊榮	CONFIRM	張奕鉸	DESIGN	許志誠