



ZIPPY TECHNOLOGY CORP.



10F, NO.50, MIN CHYUAN ROAD,
SHIN-TIEN CITY, TAIPEI COUNTY,
TAIWAN, R.O.C

TEL: 886-2-2918-8512 / 886-2-2918-0603
FAX: 886-2-2915-5765 / 886-22916-0215
[Http://www.zippy.com.tw](http://www.zippy.com.tw)

APPROVED DATA SHEET

Model: 1001240054(VW1-06S1-02D3-Z)
=====

ISSUED DATE: 2019.03.11

APPROVED NO.: 1001240054.D

PAGE: 1/4

The undersigned guarantee of the model switches is meets the following specifications.

1. Operation Characteristics

| | | |
|----------------------------|---|-------------|
| Operating Force (OF) | : | Max. 110 gf |
| Releasing Force (RF) | : | Min. 15 gf |
| Operating Position (OP) | : | 14.8±0.8 mm |
| Movement Differential (MD) | : | Max. 0.9 mm |
| Over-travel (OT) | : | Min. 1.5 mm |
| Pre-travel (PT) | : | Max. 4.0 mm |

2. Specifications

| | | |
|-----------------------------|---|---|
| Initial Contact Resistance | : | Max. 100 mΩ . (Initial) (For molded lead wire models) (Measured by ohm meter –Open Voltage<1VDC, Driver current -100mA) Before measure the switch contact resistance, please press the switch three times on and off. |
| Initial Dielectric Strength | : | 500VAC(50-60HZ)/minute between contacts. 1,500VAC(50-60HZ)/minute between Live-parts and dead metal parts. |
| Insulation Resistance | : | Min. 100 MΩ (500 VDC/ minute). |
| Circuit Arrangement | : | SPDT (Single pole double throw) |
| Rating | : | 6A 125/250VAC; 5A 30VDC |
| Service Life | : | Min. 10,000 operations. |
| Operating Frequency | : | 10 ~ 30 operations per minute. |
| Safety Certificate | : | UL, cUL, ENEC |
| Mechanical Service Life | : | Min. 1,000,000 operations. |
| Operating Frequency | : | Max. 120 operations per minute. |

Operating application of the switch : Set the switch pushing distance from 60% to 90% of the specified OT value.



ZIPPY TECHNOLOGY CORP.



10F, NO.50, MIN CHYUAN ROAD,
SHIN-TIEN CITY, TAIPEI COUNTY,
TAIWAN, R.O.C

TEL: 886-2-2918-8512 / 886-2-2918-0603
FAX: 886-2-2915-5765 / 886-22916-0215
[Http://www.zippy.com.tw](http://www.zippy.com.tw)

APPROVED DATA SHEET

Model: 1001240054(VW1-06S1-02D3-Z)
=====

ISSUED DATE: 2019.03.11

APPROVED NO.: 1001240054.D

PAGE: 2/4

3. Environments

- Operating Temperature : -40°C ~ 85°C (with no icing)
- Vibration Resistance : 10~55Hz, displacement 0.75mm(p-p)
- Shock Resistance : Destruction: 1,000 m/s² {approx. 100G} max.
Malfunction: 300 m/s² {approx. 30G} max.

(For the pin plunger models, the vibration & shock condition apply for use at the free position and total travel position)

(For the lever models, the vibration & shock condition apply for use at the total travel position)

- Soldering by hand : 350°C maximum within 5 seconds.

ZIPPY TECHNOLOGY CORP.

許志誠

PREPARED

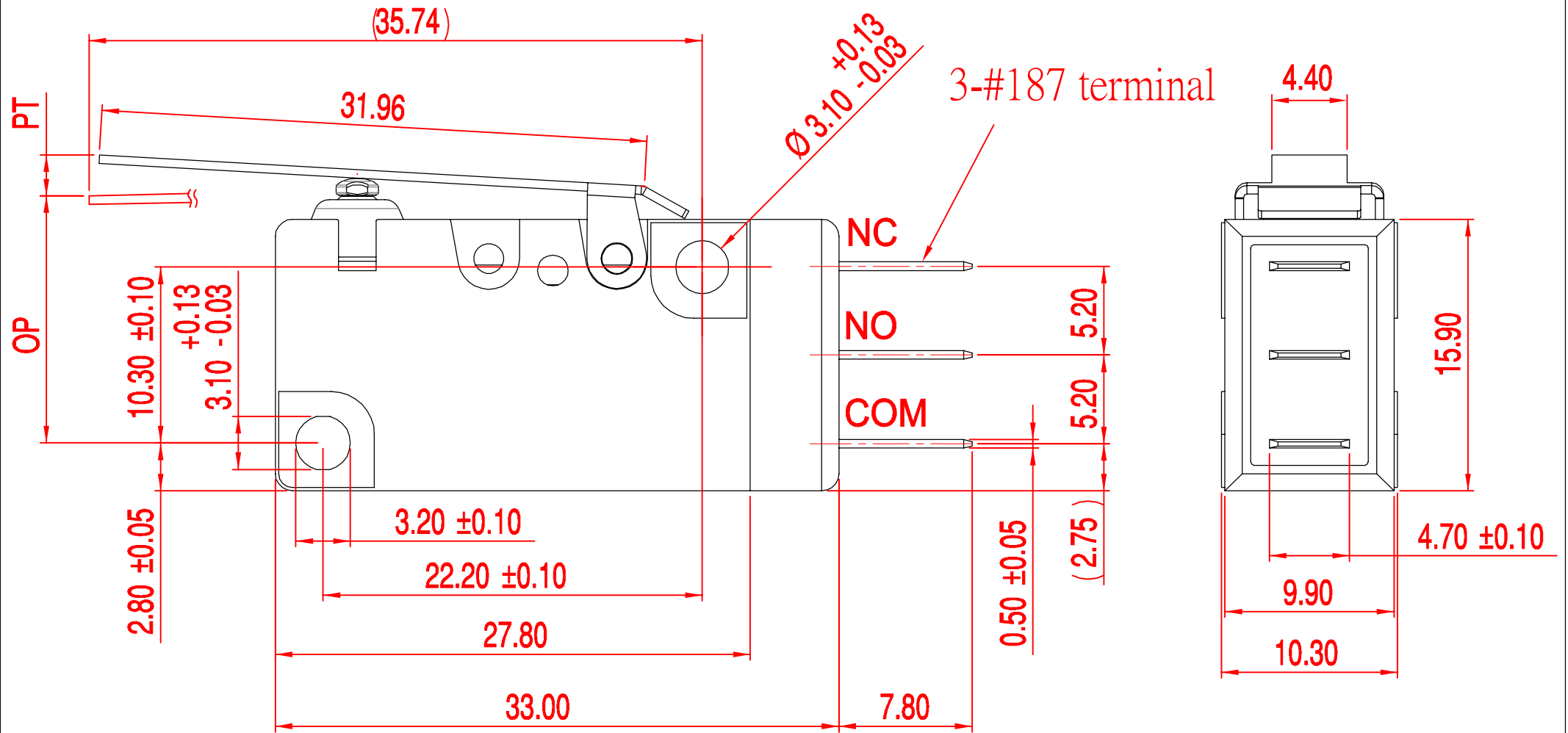
張奕鉸

CHECKED

沈俊榮

APPROVED

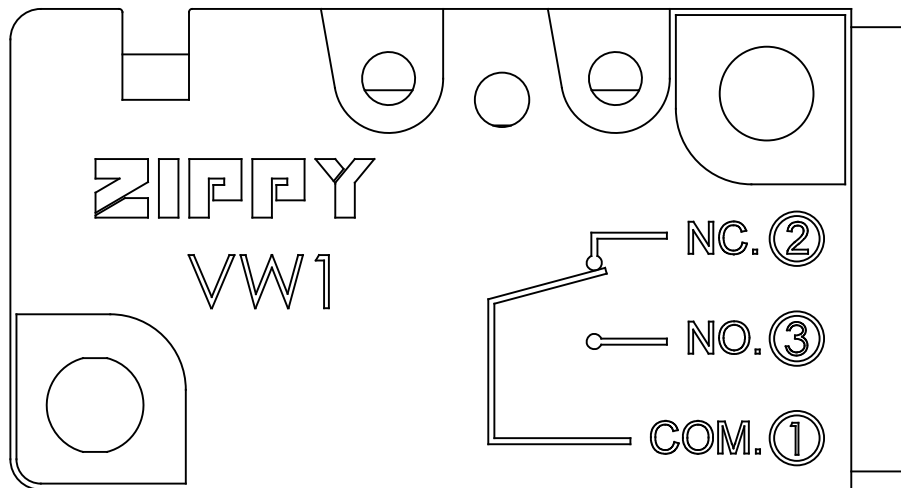
Dimensions drawing



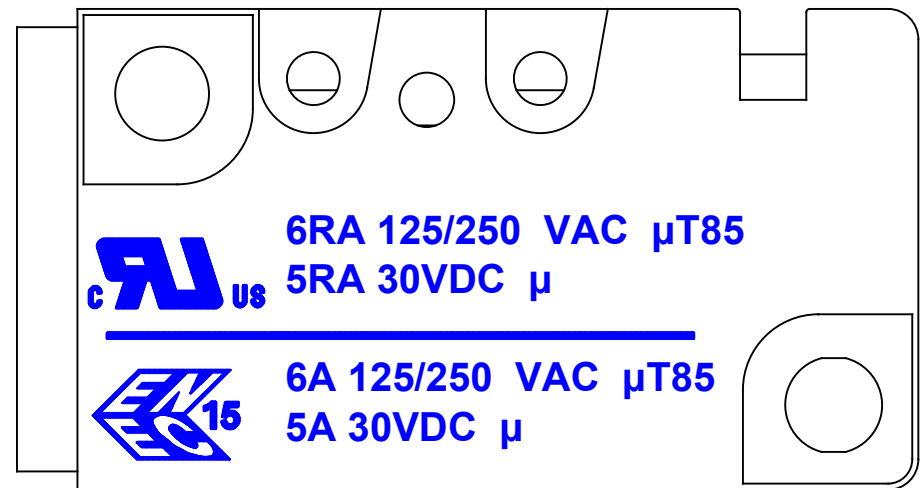
| Tolerance | |
|-----------|-----------|
| X. X | ± 0.2 |
| XX. X | ± 0.4 |

| | | | | | |
|----------|-------------|---------|-----|-----------|------------|
| VIEW | | SIZE | A4 | UNIT | mm |
| DATE | NOV-07-2013 | VER. | 1.1 | FILE NAME | VW1-02D3-R |
| APPROVAL | 方鼎杰 | CONFIRM | 林格祥 | DESIGN | 沈俊榮 |

Marking drawing



obverse side



reverse side

Markings are either by printing or molding

新巨企業股份有限公司

ZIPPY TECHNOLOGY CORP.

| | | | | | |
|----------|------------|---------|-----|-----------|-------------|
| VIEW | | SIZE | A4 | UNIT | mm |
| DATE | 2019.02.18 | VER. | 1.0 | FILE NAME | VW1-06-uT85 |
| APPROVAL | 沈俊榮 | CONFIRM | 張奕鉸 | DESIGN | 許志誠 |