



ZIPPY TECHNOLOGY CORP.



10F, NO.50, MIN CHYUAN ROAD,  
SHIN-TIEN CITY, TAIPEI COUNTY,  
TAIWAN, R.O.C

TEL: 886-2-2918-8512 / 886-2-2918-0603  
FAX: 886-2-2915-5765 / 886-22916-0215  
[Http://www.zippy.com.tw](http://www.zippy.com.tw)

### APPROVED DATA SHEET

Model: 1001240354(VW1-03S1-06D5-Z)

ISSUED DATE: 2019.03.11

APPROVED NO.: 1001240354.B

PAGE: 1/4

The undersigned guarantee of the model switches is meets the following specifications.

#### 1. Operation Characteristics

Operating Force (OF)	:	Max. 130 gf
Releasing Force (RF)	:	Min. 20 gf
Operating Position (OP)	:	20.4±0.7 mm
Movement Differential (MD)	:	Max. 0.7 mm
Over-travel (OT)	:	Min. 1.3 mm
Pre-travel (PT)	:	Max. 3.3 mm

#### 2. Specifications

Initial Contact Resistance	:	Max. 100 mΩ . (Initial) ( Measured by ohm meter –Open Voltage<1VDC, Driver current -100mA ) Before measure the switch contact resistance, please press the switch three times on and off.
Initial Dielectric Strength	:	500VAC(50-60HZ)/minute between contacts. 1,500VAC(50-60HZ)/minute between Live-parts and dead metal parts.
Insulation Resistance	:	Min. 100 MΩ ( 500 VDC/ minute ).
Circuit Arrangement	:	SPST ( Single pole single throw )
Rating	:	3A 125/250VAC ( R Load ) 3A 30VDC ( R Load )
Service Life	:	Min. 10,000 operations.
Operating Frequency	:	10 ~ 30 operations per minute.
Safety Certificate	:	UL, cUL, ENEC
Mechanical Service Life	:	Min. 1,000,000 operations.
Operating Frequency	:	Max. 120 operations per minute.

Operating application of the switch : Set the switch pushing distance from 60% to 90% of the specified OT value.



ZIPPY TECHNOLOGY CORP.



10F, NO.50, MIN CHYUAN ROAD,  
SHIN-TIEN CITY, TAIPEI COUNTY,  
TAIWAN, R.O.C

TEL: 886-2-2918-8512 / 886-2-2918-0603  
FAX: 886-2-2915-5765 / 886-22916-0215  
[Http://www.zippy.com.tw](http://www.zippy.com.tw)

### APPROVED DATA SHEET

-----  
**Model: 1001240354(VW1-03S1-06D5-Z)**  
=====

ISSUED DATE: 2019.03.11

APPROVED NO.: 1001240354.B

PAGE: 2/4

### 3. Environments

- Operating Temperature : -40°C ~ 85°C ( with no icing )
- Vibration Resistance : 10~55Hz, displacement 0.75mm(p-p)
- Shock Resistance : Destruction: 1,000 m/s<sup>2</sup> {approx. 100G} max.  
Malfunction: 300 m/s<sup>2</sup> {approx. 30G} max.

( For the pin plunger models, the vibration & shock condition apply for use at the free position and total travel position )

( For the lever models, the vibration & shock condition apply for use at the total travel position )

- Soldering by hand : 350°C maximum within 5 seconds.

- 4. Product Drawing : [Dimensions drawing](#)  
[Marking drawing](#)

ZIPPY TECHNOLOGY CORP.

許志誠

-----  
PREPARED

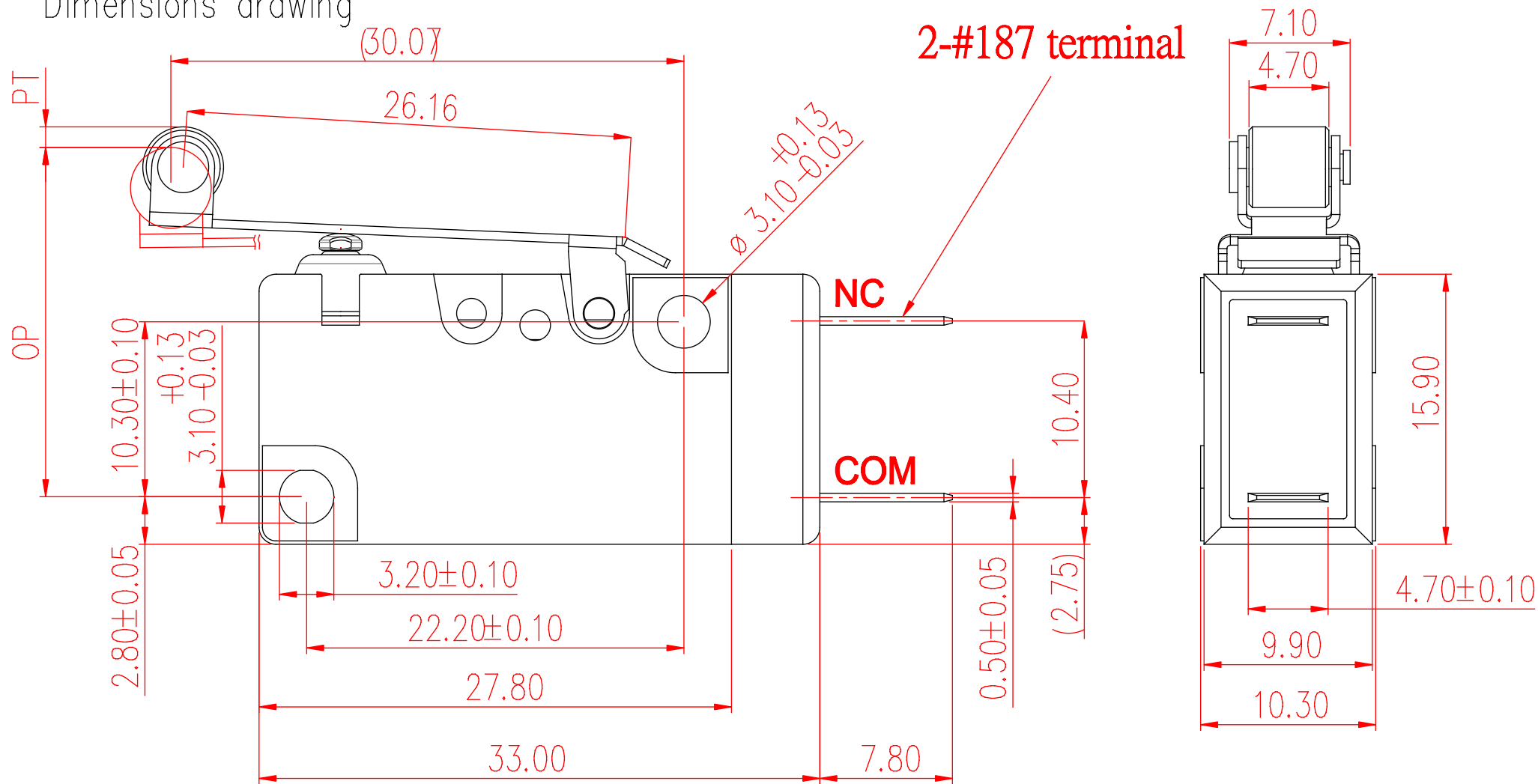
張奕鉸

-----  
CHECKED

沈俊榮

-----  
APPROVED

Dimensions drawing



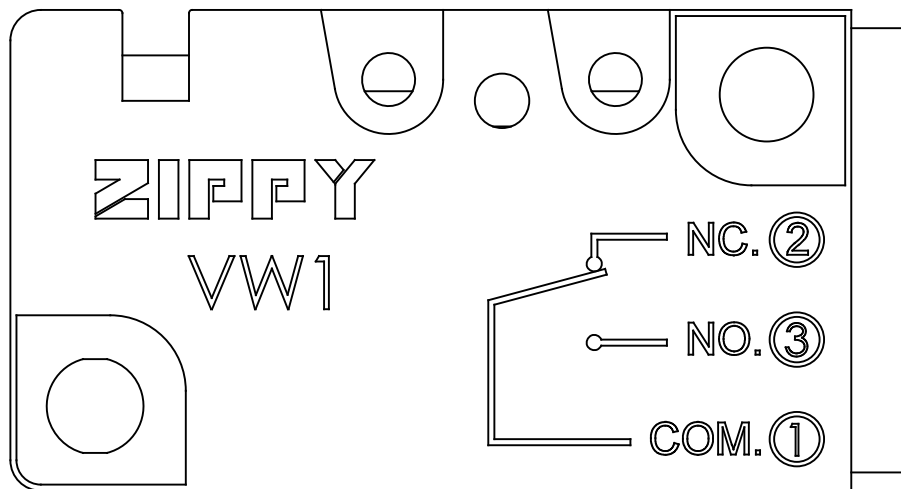
Tolerance	
X. X	± 0.2
XX. X	± 0.4

VIEW		SIZE	A4	UNIT	mm
DATE	MAY-06-2016	VER.	1.0	FILE NAME	VW1-06D5-R
APPROVAL	沈俊榮	CONFIRM	張奕鉸	DESIGN	許志誠

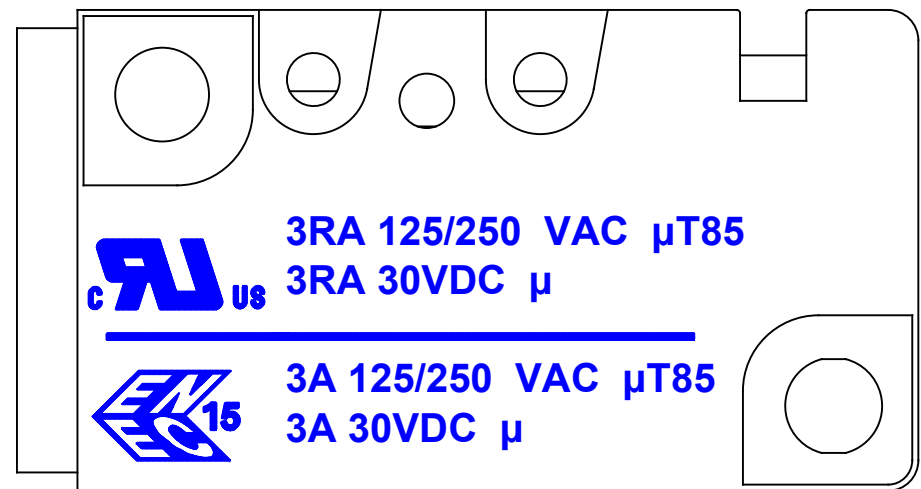
新巨企業股份有限公司

**ZIPPY** TECHNOLOGY CORP.

Marking drawing



obverse side



reverse side

Markings are either by printing or molding

新巨企業股份有限公司

**ZIPPY** TECHNOLOGY CORP.

VIEW		SIZE	A4	UNIT	mm
DATE	2019.02.18	VER.	1.0	FILE NAME	VW1-03-uT85
APPROVAL	沈俊榮	CONFIRM	張奕鉸	DESIGN	許志誠