



ZIPPY TECHNOLOGY CORP.



10F, NO.50, MIN CHYUAN ROAD,
SHIN-TIEN CITY, TAIPEI COUNTY,
TAIWAN, R.O.C

TEL: 886-2-2918-8512 / 886-2-2918-0603
FAX: 886-2-2915-5765 / 886-22916-0215
[Http://www.zippy.com.tw](http://www.zippy.com.tw)

APPROVED DATA SHEET

Model: 1000851363(VMN-15S-04D0-B-Z)

ISSUED DATE: 2020.03.31

APPROVED NO.: 1000851363.E

PAGE: 1/5

The undersigned guarantee of the model switches is meets the following specifications.

1. Operation Characteristics

| | | |
|----------------------------|---|--------------|
| Operating Force (OF) | : | Max. 110 gf |
| Releasing Force (RF) | : | Min. 14 gf |
| Operating Position (OP) | : | 18.7±1.5 mm |
| Movement Differential (MD) | : | Max. 0.76 mm |
| Over-travel (OT) | : | Min. 1.4 mm |
| Pre-travel (PT) | : | Max. 3.18 mm |

2. Specifications

| | | |
|-----------------------------|---|--------------------------------------------------------------------------------------------------------------------------------------------------------------------------------------|
| Initial Contact Resistance | : | Max. 30 mΩ . (Measured by ohm meter –Open Voltage<1VDC, Driver current -100mA) Before measure the switch contact resistance, please press the switch three times on and off. |
| Initial Dielectric Strength | : | 1,000VAC(50-60HZ)/minute between contacts. 1,500VAC(50-60HZ)/minute between Live-parts and dead metal parts. |
| Insulation Resistance | : | Min. 100 MΩ (500 VDC/ minute) between Live-parts and dead metal parts. |
| Circuit Arrangement | : | SPDT (Single pole double throw) |
| Rating | : | 15A 125/250VAC |
| Service Life | : | Min. 10,000 operations. |
| Rating Load | : | Resistive Load. |
| Operating Frequency | : | 10~30 operations per minute. |
| Safety Certificate | : | UL, cUL, ENEC |

Mechanical Service Life : Min. 10,000,000 operations.

Operating Frequency : Max. 120 operations per minute.

Operating application of the switch : Set the switch pushing distance from 60% to 90% of the specified OT value.



ZIPPY TECHNOLOGY CORP.



10F, NO.50, MIN CHYUAN ROAD,
SHIN-TIEN CITY, TAIPEI COUNTY,
TAIWAN, R.O.C

TEL: 886-2-2918-8512 / 886-2-2918-0603
FAX: 886-2-2915-5765 / 886-22916-0215
[Http://www.zippy.com.tw](http://www.zippy.com.tw)

APPROVED DATA SHEET

Model: 1000851363(VMN-15S-04D0-B-Z)
=====

ISSUED DATE: 2020.03.31

APPROVED NO.: 1000851363.E

PAGE: 2/5

3. Environments

- Operating Temperature : -40°C~125°C (with no icing)
- Vibration Resistance : 10~55Hz, displacement 0.75mm(p-p)
- Shock Resistance : Destruction: 1,000 m/s² {approx. 100G} max.
Malfunction: 300 m/s² {approx. 30G} max.

(For the pin plunger models, the vibration & shock condition apply for use at the free position and total travel position)

(For the lever models, the vibration & shock condition apply for use at the total travel position)

Soldering by hand : 350°C maximum within 5 seconds.

ZIPPY TECHNOLOGY CORP.

簡素玲

PREPARED

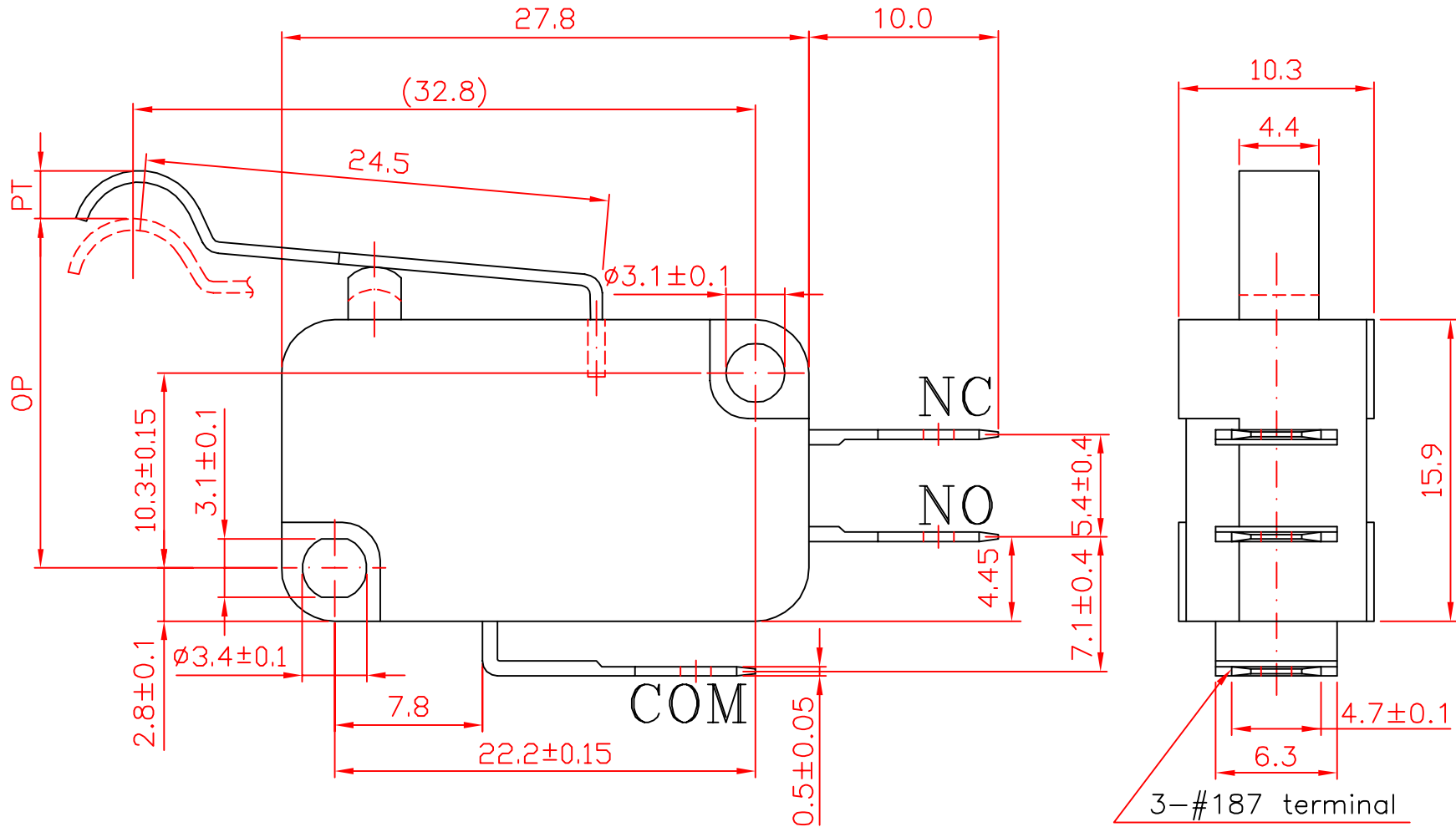
陳立業

CHECKED

沈俊榮

APPROVED

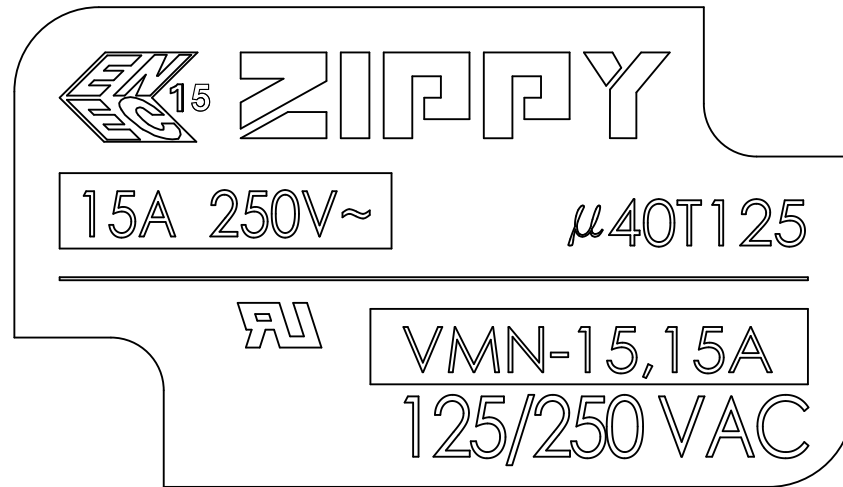
Dimensions drawing



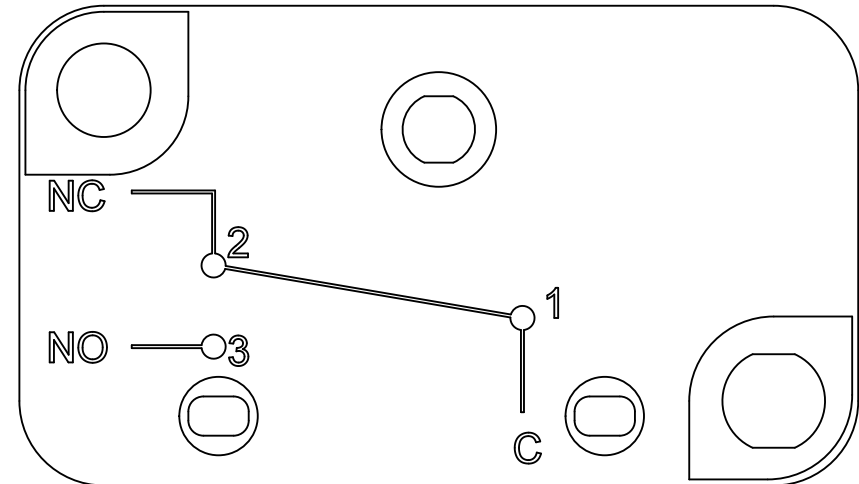
| Tolerance | |
|-----------|------|
| X.X | ±0.2 |
| XX.X | ±0.4 |

| | | | | | |
|----------|-------------|---------|-----|-----------|------------|
| VIEW | | SIZE | A4 | UNIT | mm |
| DATE | OCT.22.2013 | VER. | 1.5 | FILE NAME | VMN-04D0-R |
| APPROVAL | 李金龍 | CONFIRM | 方鼎杰 | DESIGN | 許志誠 |

Marking drawing



COVER



CASE

Markings are either by printing or molding.
Appearance according to dimensions drawing.

| | | | | | |
|----------|-------------|---------|-----|-----------|--------|
| VIEW | | SIZE | A4 | UNIT | mm |
| DATE | SEP.24,2015 | VER. | 1.4 | FILE NAME | VMN-15 |
| APPROVAL | 沈俊榮 | CONFIRM | 張立人 | DESIGN | 陳立業 |

CAUTIONS:

注意事項

1: To secure the switch, please use an M3 small screw on a flat surface and tighten with plane washers or spring washers to securely mount the Switch, using a maximum torque of 0.59N·m.
若使用定位孔型式，請使用M3小型螺絲固定在平面上，並使用平墊圈或者彈性墊圈以便安全的鎖固開關，鎖固扭力請勿超過0.59 N·m。

2: To ensure the best performance of the switch, when handling/installing the switch, please do not apply uneven pressure to the direction indicated by the arrow in (Figure -1). Any uneven pressure or pressure direction other than the operating direction might be harmful or damage the switch performance.

為確保開關正常運作，安裝及取用開關時，請勿直接施加壓力在(圖-1)中箭頭所指示的方向。如圖所示，任何不對稱的壓力或作動方向以外的壓力都不適用在開關按柄上。

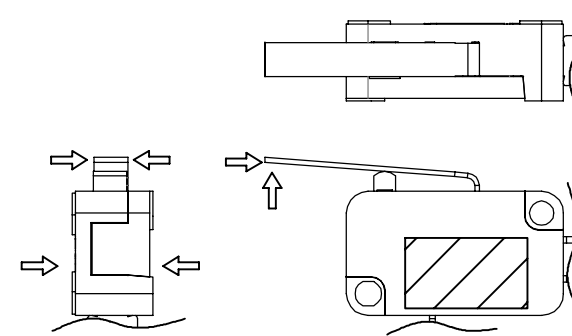
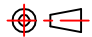


Figure-1

| | | | | | |
|----------|---------------------------------------------------------------------------------------|---------|-----|-----------|--------------|
| VIEW |  | SIZE | A4 | UNIT | mm |
| DATE | 2019.12.17 | VER. | 1.0 | FILE NAME | VMN-CAUTIONS |
| APPROVAL | 沈俊榮 | CONFIRM | 許志誠 | DESIGN | 陳立業 |