



ZIPPY TECHNOLOGY CORP.



10F, NO.50, MIN CHYUAN ROAD,  
SHIN-TIEN CITY, TAIPEI COUNTY,  
TAIWAN, R.O.C

TEL: 886-2-2918-8512 / 886-2-2918-0603  
FAX: 886-2-2915-5765 / 886-22916-0215  
[Http://www.zippy.com.tw](http://www.zippy.com.tw)

**APPROVED DATA SHEET**

-----  
**Model: 1000810329(V3-10S-04D1-Z)**  
=====

ISSUED DATE: 2019.6.5  
APPROVED NO.: 1000810329.D  
PAGE: 1/4

The undersigned guarantee of the model switches is meets the following specifications.

**1.Operation Characteristics**

Operating Force (OF) : Max. 290 gf  
Releasing Force (RF) : Min. 60 gf  
Free Position ( FP ) : Max. 24.0 mm  
Operating Position (OP) : 18.4±1.3 mm  
Movement Differential (MD) : Max. 2.4 mm  
Over-travel (OT) : Min. 0.9 mm  
Pre-travel (PT) : Max. 4.3 mm

**2. Specifications**

Initial Contact Resistance : Max. 30 mΩ .  
( Measured by ohm meter –Open Voltage<1VDC, Driver current -100mA )  
Before measure the switch contact resistance, please press the switch three times on and off.

Initial Dielectric Strength : 1,500VAC(50-60HZ)/minute between contacts.  
1,500VAC(50-60HZ)/minute between Live-parts and dead metal parts.

Insulation Resistance : Min. 100 MΩ ( 500 VDC/ minute ) between Live-parts and dead metal parts.

Circuit Arrangement : SPST (Single pole single throw – Full disconnection, gap>3mm)

Rating : 10.1A 125/250VAC; 1/2HP 125/250VAC; 10(4)A 125/250VAC

Service Life : Min. 10,000 operations.

Rating Load : Resistive Load and Motor Load.

Operating Frequency : 10~30 operations per minute.

Safety Certificate : UL, cUL, ENEC

Mechanical Service Life : Min. 500,000 operations.  
Operating Frequency : Max. 120 operations per minute.

Operating application of the switch : Set the switch pushing distance from 60% to 90% of the specified OT value.



ZIPPY TECHNOLOGY CORP.



10F, NO.50, MIN CHYUAN ROAD,  
SHIN-TIEN CITY, TAIPEI COUNTY,  
TAIWAN, R.O.C

TEL: 886-2-2918-8512 / 886-2-2918-0603  
FAX: 886-2-2915-5765 / 886-22916-0215  
[Http://www.zippy.com.tw](http://www.zippy.com.tw)

### APPROVED DATA SHEET

-----  
**Model: 1000810329(V3-10S-04D1-Z)**  
=====

ISSUED DATE: 2019.6.5  
APPROVED NO.: 1000810329.D  
PAGE: 2/4

### 3. Environments

- Operating Temperature : -40°C ~ 125°C ( with no icing )
- Vibration Resistance : 10~55Hz, displacement 0.75mm(p-p)
- Shock Resistance : Destruction: 1,000 m/s<sup>2</sup> {approx. 100G} max.  
Malfunction: 300 m/s<sup>2</sup> {approx. 30G} max.

( For the pin plunger models, the vibration & shock condition apply for use at the free position and total travel position )

( For the lever models, the vibration & shock condition apply for use at the total travel position )

- Soldering by hand : 350 °C maximum within 5 seconds.

ZIPPY TECHNOLOGY CORP.

陳立業

-----  
PREPARED

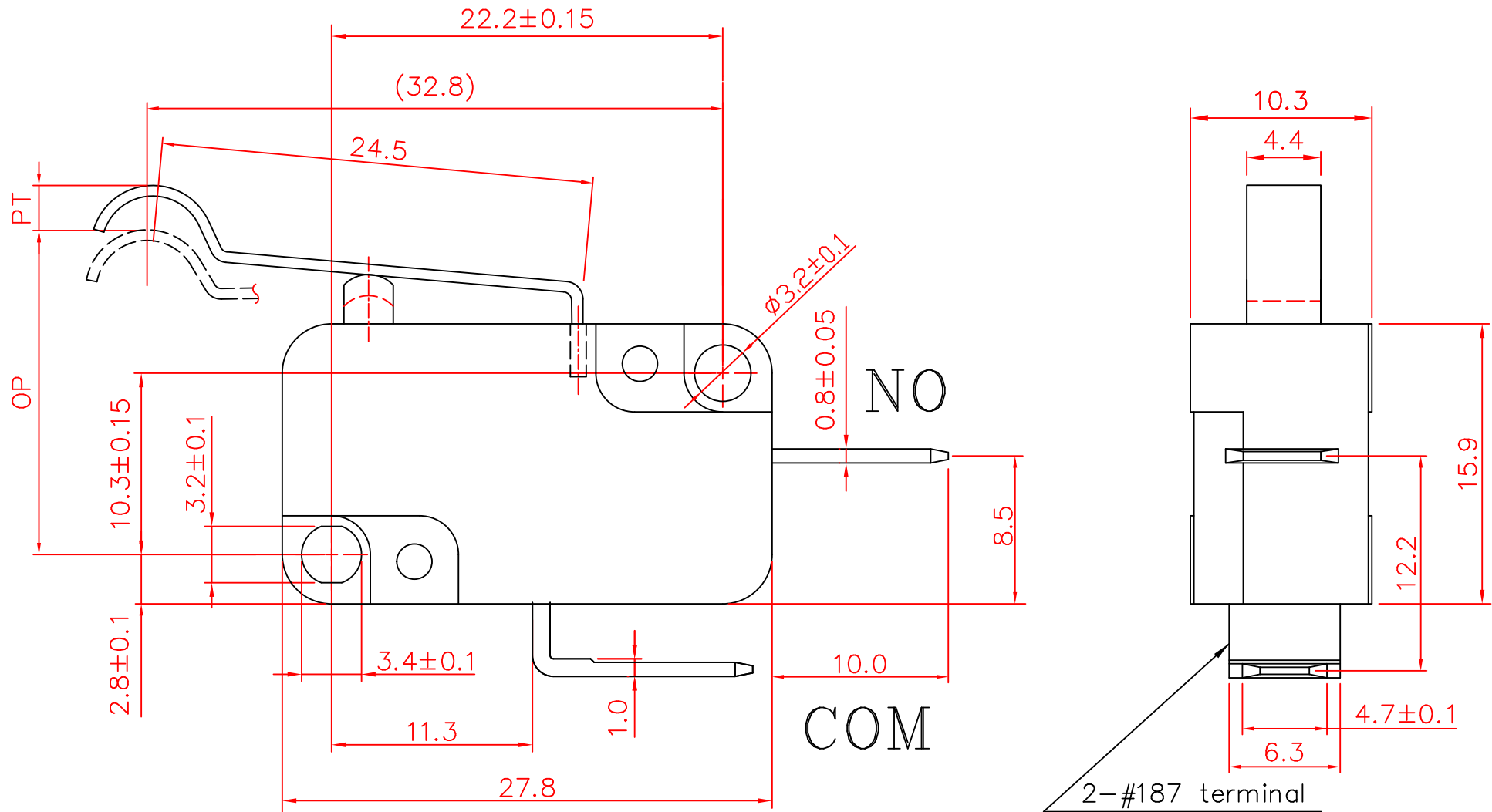
許志誠

-----  
CHECKED

沈俊榮

-----  
APPROVED

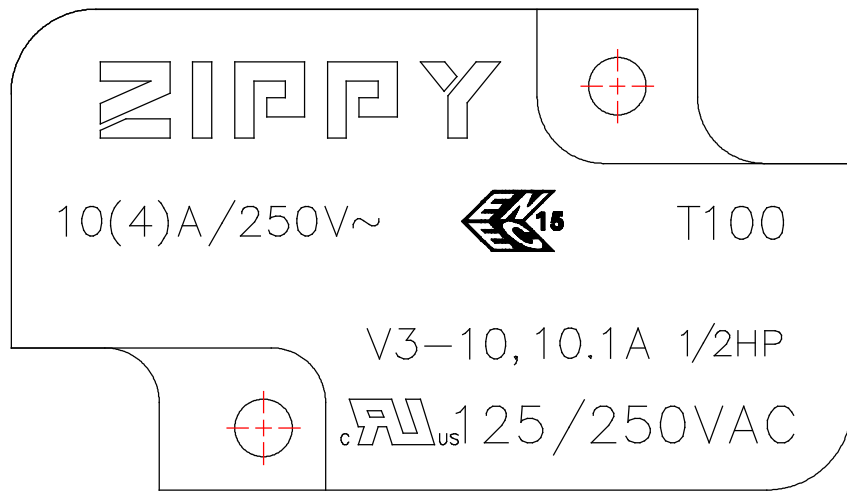
# Dimensions drawing



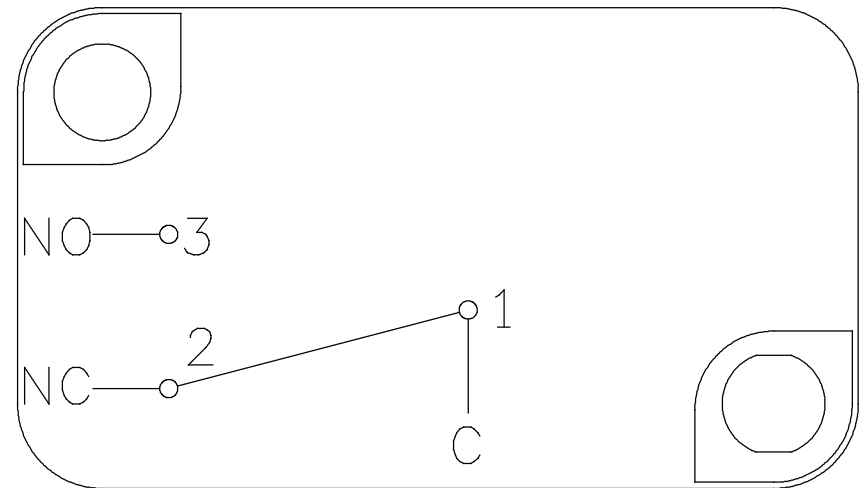
Tolerance	
X.X	$\pm 0.2$
XX.X	$\pm 0.4$

VIEW		SIZE	A4	UNIT	mm
DATE	MAY.07.2015	VER.	1.3	FILE NAME	V3-04D1-R
APPROVAL	沈俊榮	CONFIRM	張立人	DESIGN	陳立業

# Marking drawing



COVER



CASE

Markings are either by printing or molding.  
Appearance according to dimensions drawing.

VIEW		SIZE	A4	UNIT	mm
DATE	SEP.22,2015	VER.	1.4	FILE NAME	V3-10-01
APPROVAL	沈俊榮	CONFIRM	張立人	DESIGN	陳立業