



ZIPPY TECHNOLOGY CORP.



10F, NO.50, MIN CHYUAN ROAD,  
SHIN-TIEN CITY, TAIPEI COUNTY,  
TAIWAN, R.O.C

TEL: 886-2-2918-8512 / 886-2-2918-0603  
FAX: 886-2-2915-5765 / 886-22916-0215  
[Http://www.zippy.com.tw](http://www.zippy.com.tw)

### APPROVED DATA SHEET

Model: 1001120745(SM1-N6S-00P0-Z)

ISSUED DATE: MAY.13.2015  
APPROVED NO.: 1001120745.C  
PAGE: 1/4

The undersigned guarantee of the model switches is meets the following specifications.

#### 1.Operation Characteristics

- Operating Force (OF) : Max.150 gf
- Releasing Force (RF) : Min. 25 gf
- Free Position ( FP ) : Max.12.2 mm
- Operating Position (OP) : 11.4±0.3 mm
- Movement Differential (MD) : Max.0.2 mm
- Over-travel (OT) : Min. 0.4 mm
- Pre-travel (PT) : Max.1.1 mm

#### 2. Specifications

- Initial Contact Resistance : Max. 300 mΩ .  
( Measured by ohm meter –Open Voltage<1VDC, Driver current -100mA )  
Before measure the switch contact resistance, please press the switch three times on and off.
- Initial Dielectric Strength : 500VAC(50-60HZ)/minute between contacts.  
1,500VAC(50-60HZ)/minute between Live-parts and dead metal parts.
- Insulation Resistance : Min. 100 MΩ ( 500 VDC/ minute ) between Live-parts and dead metal parts.
- Circuit Arrangement : SPDT ( Single pole double throw )
- Rating : 6A 125/250VAC; 5A 30VDC
- Service Life : Min. 10,000 operations.
- Rating Load : Resistive Load.
- Operating Frequency : 10~30 operations per minute.
- Safety Certificate : UL, cUL, ENEC15
- Mechanical Service Life : Press the Switch to operation position - Min. 5,000,000 operations.
- Operating Frequency : Max. 120 operations per minute.



10F, NO.50, MIN CHYUAN ROAD,  
SHIN-TIEN CITY, TAIPEI COUNTY,  
TAIWAN, R.O.C

TEL: 886-2-2918-8512 / 886-2-2918-0603  
FAX: 886-2-2915-5765 / 886-22916-0215  
[Http://www.zippy.com.tw](http://www.zippy.com.tw)

## APPROVED DATA SHEET

Model: 1001120745(SM1-N6S-00P0-Z)

ISSUED DATE: MAY.13.2015  
APPROVED NO.: 1001120745.C  
PAGE: 2/4

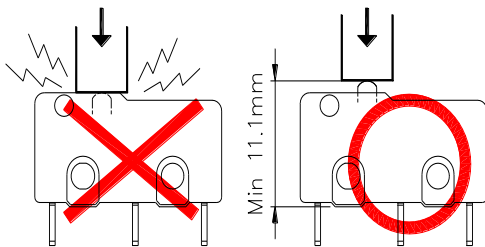
### 3. Environments

- Operating Temperature : -40°C ~ 125°C ( with no icing )
- Vibration Resistance : 10~55Hz, displacement 0.75mm(p-p)
- Shock Resistance : Destruction: 1,000 m/s<sup>2</sup> {approx. 100G} max.  
Malfunction: 300 m/s<sup>2</sup> {approx. 30G} max.

( For the pin plunger models, the vibration & shock condition apply for use at the free position and total travel position )

( For the lever models, the vibration & shock condition apply for use at the total travel position )

- Soldering by hand : 350°C maximum within 5 seconds.
- Soldering bath : 260°C maximum within 5 seconds.



ZIPPY TECHNOLOGY CORP.

陳維塘

PREPARED

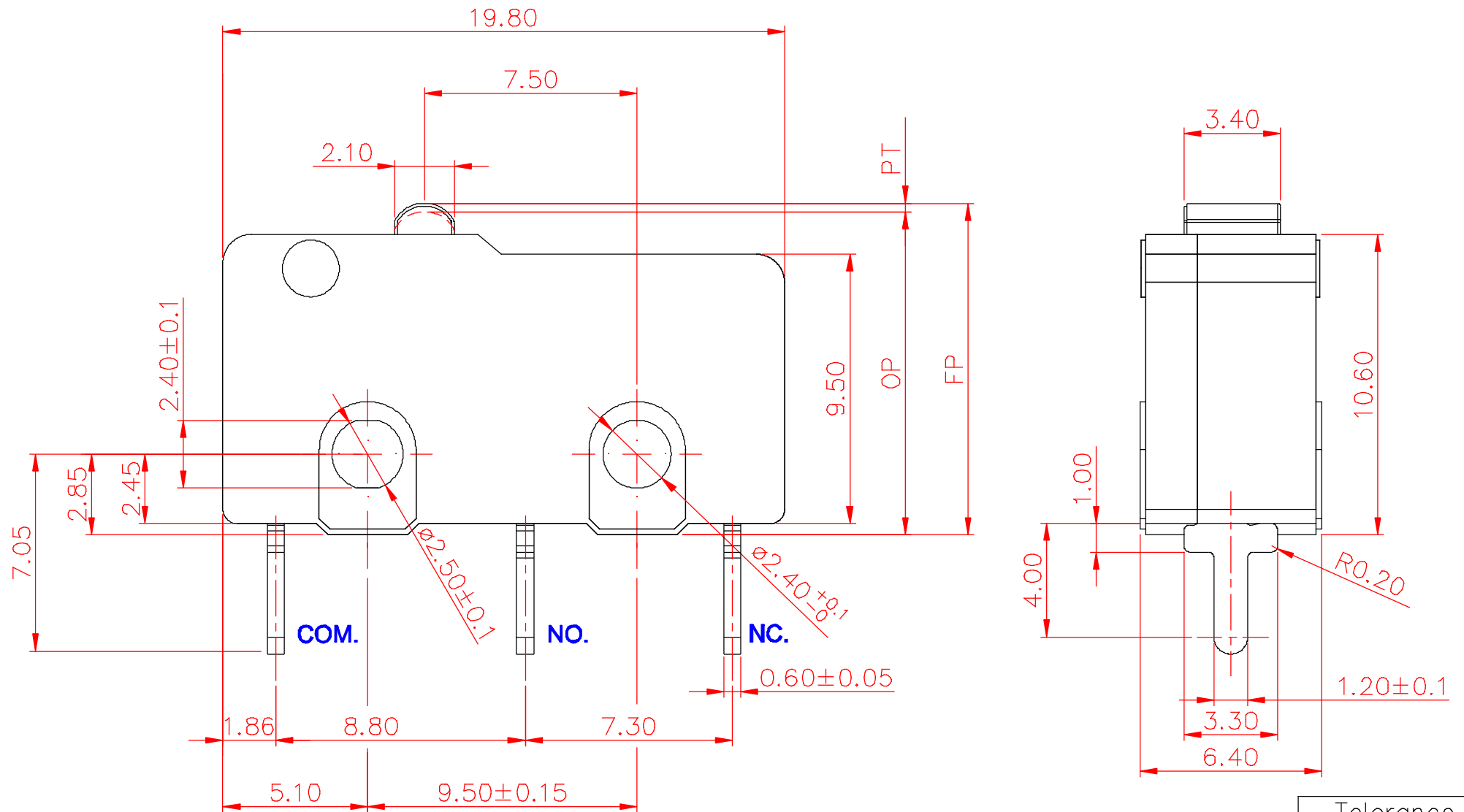
林佩貞

CHECKED

倪有庭

APPROVED

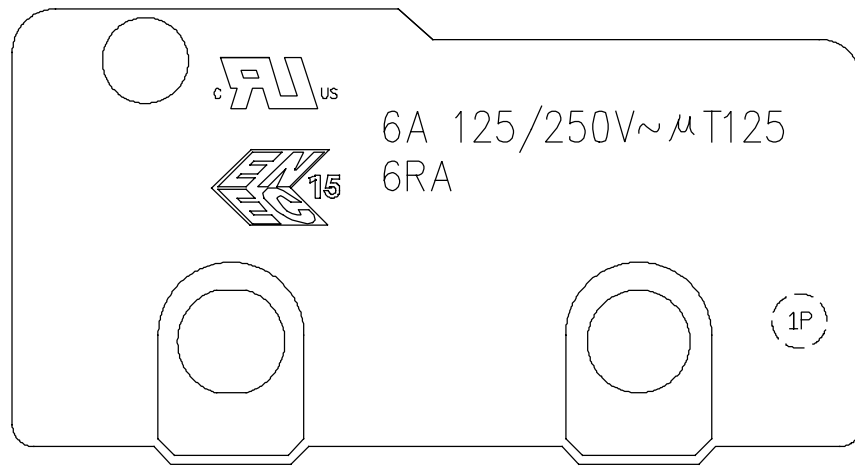
# Dimensions drawing



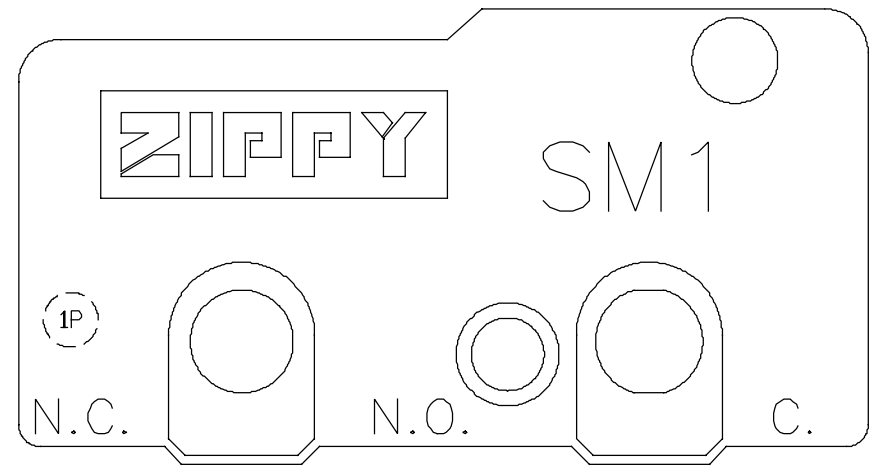
Tolerance	
X.X	±0.2
XX.X	±0.4

VIEW		SIZE	A4	UNIT	mm
DATE	JAN.15.2015	VER.	1.5	FILE NAME	SM1-00PO
APPROVAL	倪有庭	CONFIRM	王永輝	DESIGN	林佩貞

# Marking drawing



COVER



CASE

Markings are either by printing or molding

VIEW		SIZE	A4	UNIT	mm
DATE	Jul 12, 2016	VER.	1.4	FILE NAME	SM1-N6
APPROVAL	倪有庭	CONFIRM	陳維塘	DESIGN	王永輝