



ZIPPY TECHNOLOGY CORP.



10F, NO.50, MIN CHYUAN ROAD,
SHIN-TIEN CITY, TAIPEI COUNTY,
TAIWAN, R.O.C

TEL: 886-2-2918-8512 / 886-2-2918-0603
FAX: 886-2-2915-5765 / 886-22916-0215
[Http://www.zippy.com.tw](http://www.zippy.com.tw)

APPROVED DATA SHEET

Model: 1001121387(SM1-N6H-05A0-Z)
=====

ISSUED DATE: MAY.06.2015
APPROVED NO.: 1001121387.A
PAGE: 1/4

The undersigned guarantee of the model switches is meets the following specifications.

1.Operation Characteristics

| | | |
|----------------------------|---|---------------|
| Operating Force (OF) | : | Max.117 gf |
| Releasing Force (RF) | : | Min. 21 gf |
| Free Position (FP) | : | Max. 20.50 mm |
| Operating Position (OP) | : | 17.1±1.1 mm |
| Movement Differential (MD) | : | Max.1.44 mm |
| Over-travel (OT) | : | Min.0.55 mm |
| Pre-travel (PT) | : | Max.4.60 mm |

2. Specifications

| | | |
|-----------------------------|---|---|
| Initial Contact Resistance | : | Max. 300 mΩ . (Measured by ohm meter –Open Voltage<1VDC, Driver current -100mA) Before measure the switch contact resistance, please press the switch three times on and off. |
| Initial Dielectric Strength | : | 500VAC(50-60HZ)/minute between contacts. 1,500VAC(50-60HZ)/minute between Live-parts and dead metal parts. |
| Insulation Resistance | : | Min. 100 MΩ (500 VDC/ minute) between Live-parts and dead metal parts. |
| Circuit Arrangement | : | SPDT (Single pole double throw) |
| Rating | : | 6A 125/250VAC; 5A 30VDC |
| Service Life | : | Min. 10,000 operations. |
| Rating Load | : | Resistive Load. |
| Operating Frequency | : | 10~30 operations per minute. |
| Safety Certificate | : | UL, cUL, ENEC15 |



10F, NO.50, MIN CHYUAN ROAD,
SHIN-TIEN CITY, TAIPEI COUNTY,
TAIWAN, R.O.C

TEL: 886-2-2918-8512 / 886-2-2918-0603
FAX: 886-2-2915-5765 / 886-22916-0215
[Http://www.zippy.com.tw](http://www.zippy.com.tw)

APPROVED DATA SHEET

Model: 1001121387(SM1-N6H-05A0-Z)

ISSUED DATE: MAY.06.2015
APPROVED NO.: 1001121387.A
PAGE: 2/4

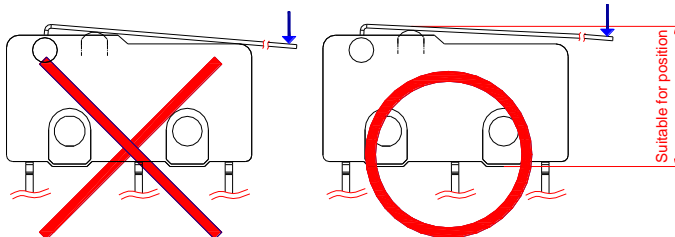
3. Environments

Operating Temperature : -40°C ~ 125°C (with no icing)
Vibration Resistance : 10~55Hz, displacement 0.75mm(p-p)
Shock Resistance : Destruction: 1,000 m/s² {approx. 100G} max.
Malfunction: 300 m/s² {approx. 30G} max.

(For the pin plunger models, the vibration & shock condition apply for use at the free position and total travel position)

(For the lever models, the vibration & shock condition apply for use at the total travel position)

Soldering by hand : 350°C maximum within 5 seconds.
Soldering bath : 260°C maximum within 5 seconds.



ZIPPY TECHNOLOGY CORP.

卓妍蓁

PREPARED

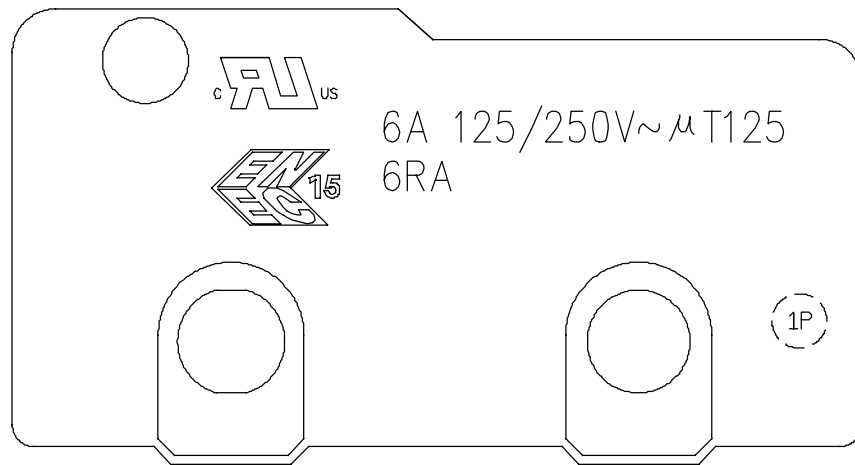
林佩貞

CHECKED

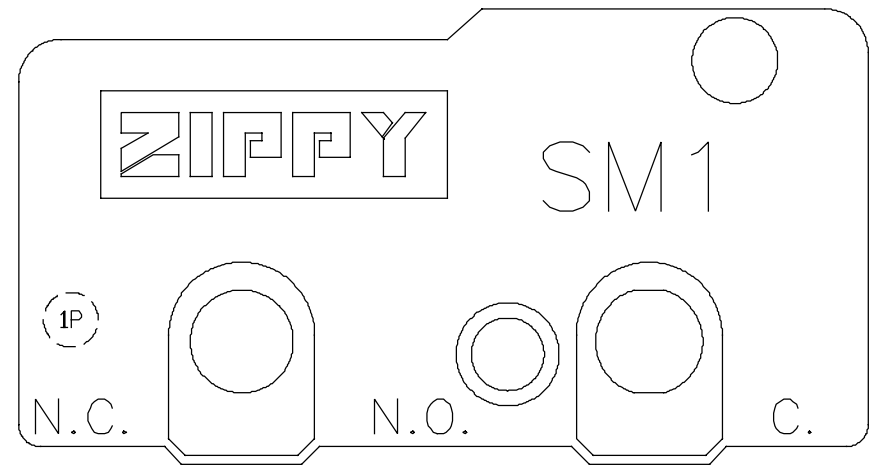
倪有庭

APPROVED

Marking drawing



COVER



CASE

Markings are either by printing or molding

| | | | | | |
|----------|--------------|---------|-----|-----------|--------|
| VIEW | | SIZE | A4 | UNIT | mm |
| DATE | Jul 12, 2016 | VER. | 1.4 | FILE NAME | SM1-N6 |
| APPROVAL | 倪有庭 | CONFIRM | 陳維塘 | DESIGN | 王永輝 |