



ZIPPY TECHNOLOGY CORP.



10F, NO.50, MIN CHYUAN ROAD,
SHIN-TIEN CITY, TAIPEI COUNTY,
TAIWAN, R.O.C

TEL: 886-2-2918-8512 / 886-2-2918-0603
FAX: 886-2-2915-5765 / 886-22916-0215
[Http://www.zippy.com.tw](http://www.zippy.com.tw)

APPROVED DATA SHEET

Model: 1001122017(SM1-G1S-04A0-Z)

ISSUED DATE: 2019.02.19
APPROVED NO.: 1001122017.A
PAGE: 1/4

The undersigned guarantee of the model switches is meets the following specifications.

1. Operation Characteristics

- Operating Force (OF) : Max.47 gf
- Releasing Force (RF) : Min. 5 gf
- Free Position (FP) : Max.16.66 mm
- Operating Position (OP) : 13.7±0.9 mm
- Movement Differential (MD) : Max.0.86 mm
- Over-travel (OT) : Min. 0.64 mm
- Pre-travel (PT) : Max.3.86 mm

2. Specifications

- Initial Contact Resistance : Max. 300 mΩ .
(Measured by ohm meter –Open Voltage<1VDC, Driver current -100mA)
Before measure the switch contact resistance, please press the switch three times on and off.
- Initial Dielectric Strength : 500VAC(50-60HZ)/minute between contacts.
1,500VAC(50-60HZ)/minute between Live-parts and dead metal parts.
- Insulation Resistance : Min. 100 MΩ (500 VDC/ minute) between Live-parts and dead metal parts.
- Circuit Arrangement : SPDT (Single pole double throw)
- Rating : 0.1A 125/250VAC; 0.1A 30VDC
- Service Life : Min. 10,000 operations.
- Rating Load : Resistive Load.
- Operating Frequency : 10~30 operations per minute.
- Safety Certificate : UL, cUL, ENEC

- Mechanical Service Life : Press the Switch to operation position - Min. 5,000,000 operations.
- Operating Frequency : Max. 120 operations per minute.



APPROVED DATA SHEET

Model: 1001122017(SM1-G1S-04A0-Z)

ISSUED DATE: 2019.02.19
APPROVED NO.: 1001122017.A
PAGE: 2/4

3. Environments

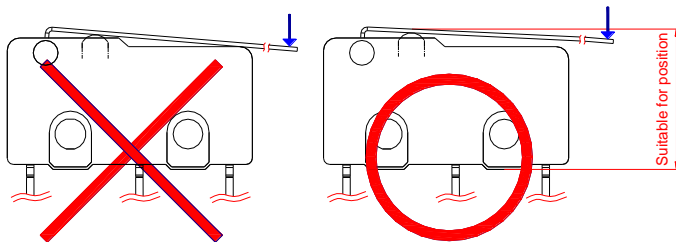
Operating Temperature	:	-40°C ~ 125°C (with no icing)
Vibration Resistance	:	10~55Hz, displacement 0.75mm(p-p)
Shock Resistance	:	Destruction: 1,000 m/s ² {approx. 100G} max. Malfunction: 300 m/s ² {approx. 30G} max.

(For the pin plunger models, the vibration & shock condition apply for use at the free position and total travel position)

(For the lever models, the vibration & shock condition apply for use at the total travel position)

Soldering by hand	:	350°C maximum within 5 seconds.
Soldering bath	:	260°C maximum within 5 seconds.

Note: Common terminal silver- plated, other terminals are gold-plated.



ZIPPY TECHNOLOGY CORP.

卓妍蓁

PREPARED

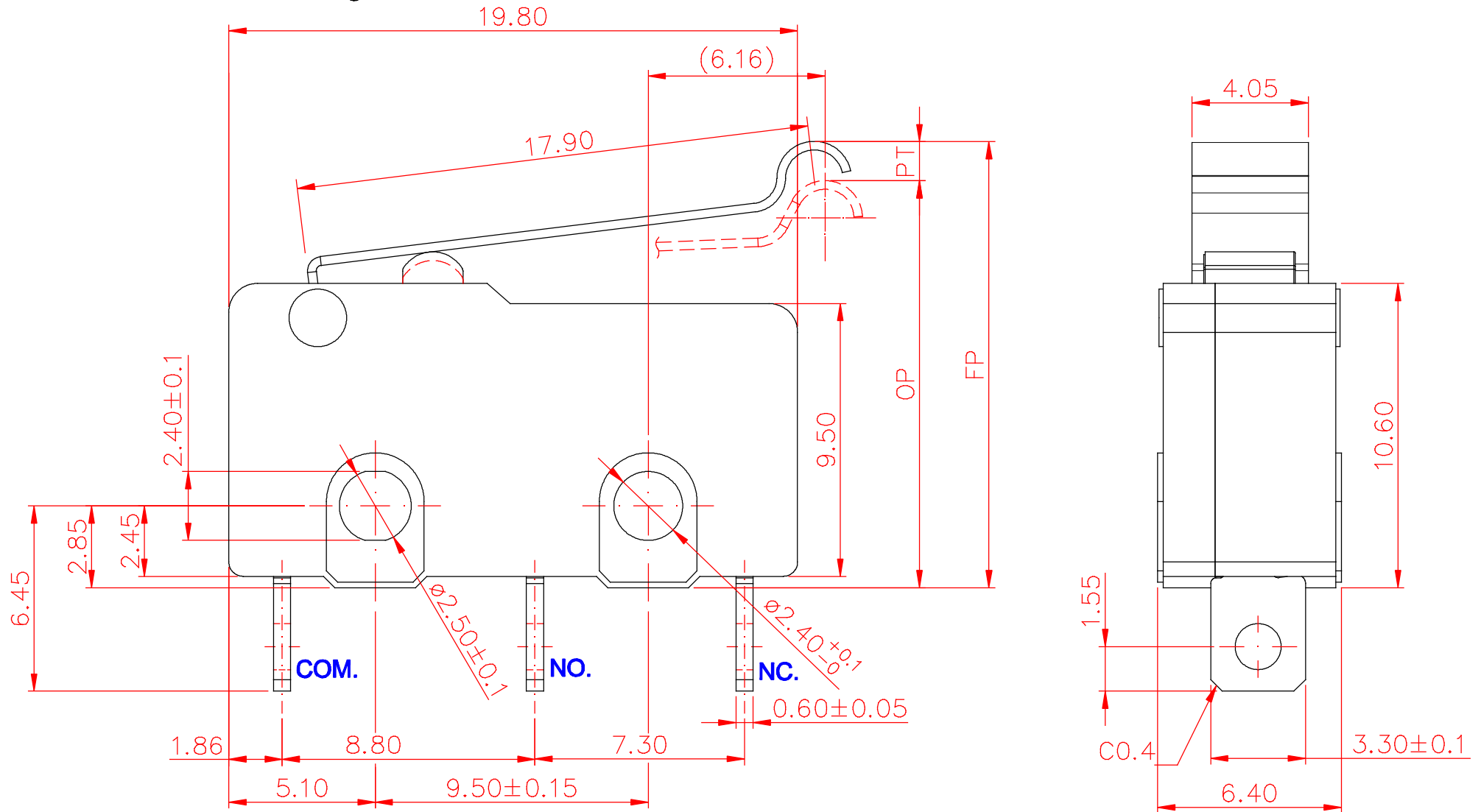
張奕鉸

CHECKED

沈俊榮

APPROVED

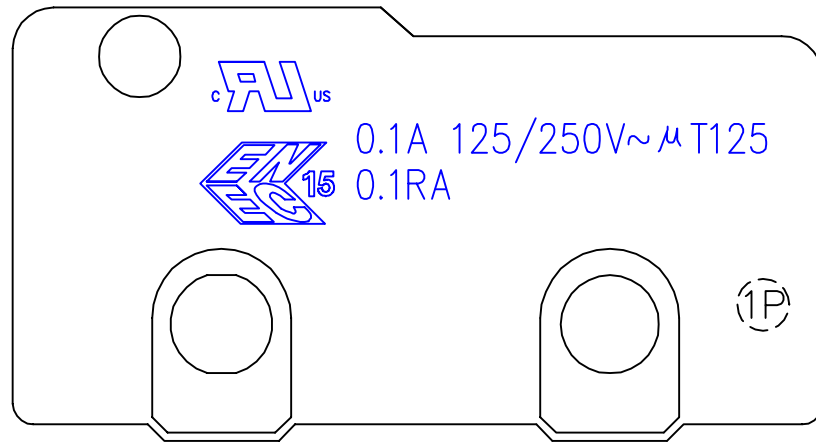
Dimensions drawing



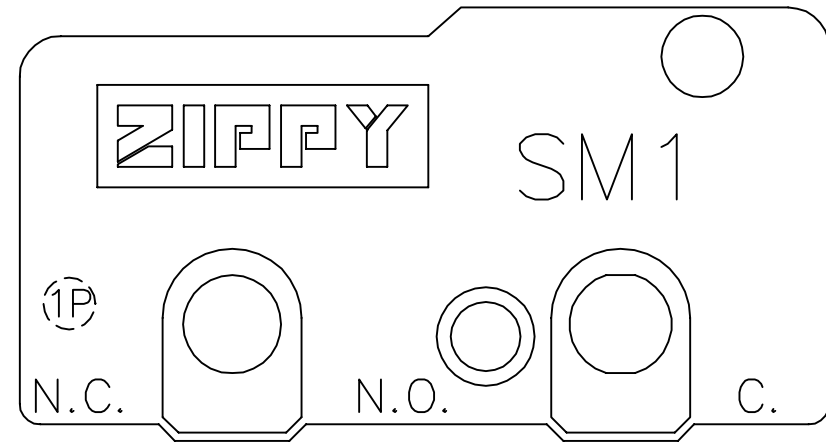
Tolerance	
X.X	± 0.2
XX.X	± 0.4

VIEW		SIZE	A4	UNIT	mm
DATE	APR.14.2015	VER.	1.8	FILE NAME	SM1-04A0
APPROVAL	倪有庭	CONFIRM	李東軒	DESIGN	林佩貞

Marking drawing



COVER



CASE

Markings are either by printing or molding

VIEW		SIZE	A4	UNIT	mm
DATE	JUL.15.2014	VER.	1.3	FILE NAME	SM1-N1
APPROVAL	倪有庭	CONFIRM	林佩貞	DESIGN	李東軒