



ZIPPY TECHNOLOGY CORP.



10F, NO.50, MIN CHYUAN ROAD,  
SHIN-TIEN CITY, TAIPEI COUNTY,  
TAIWAN, R.O.C

TEL: 886-2-2918-8512 / 886-2-2918-0603  
FAX: 886-2-2915-5765 / 886-22916-0215  
[Http://www.zippy.com.tw](http://www.zippy.com.tw)

### APPROVED DATA SHEET

Model: 1001121176(SM1-G1S-01A0-Z)

ISSUED DATE: JUN.11.2014  
APPROVED NO.: 1001121176.A  
PAGE: 1/4

The undersigned guarantee of the model switches is meets the following specifications.

#### 1.Operation Characteristics

Operating Force (OF)	:	Max.50 gf
Releasing Force (RF)	:	Min. 6 gf
Free Position ( FP )	:	Max.14.60 mm
Operating Position (OP)	:	11.8±0.8 mm
Movement Differential (MD)	:	Max.0.8 mm
Over-travel (OT)	:	Min. 0.6 mm
Pre-travel (PT)	:	Max.3.60 mm

#### 2. Specifications

Initial Contact Resistance	:	Max. 300 mΩ . ( Measured by ohm meter –Open Voltage<1VDC, Driver current -100mA ) Before measure the switch contact resistance, please press the switch three times on and off.
Initial Dielectric Strength	:	500VAC(50-60HZ)/minute between contacts. 1,500VAC(50-60HZ)/minute between Live-parts and dead metal parts.
Insulation Resistance	:	Min. 100 MΩ ( 500 VDC/ minute ) between Live-parts and dead metal parts.
Circuit Arrangement	:	SPDT ( Single pole double throw )
Rating	:	0.1A 125/250VAC; 0.1A 30VDC
Service Life	:	Min. 10,000 operations.
Rating Load	:	Resistive Load.
Operating Frequency	:	10~30 operations per minute.
Safety Certificate	:	UL, cUL, ENEC15
Mechanical Service Life	:	Press the Switch to operation position - Min. 5,000,000 operations.
Operating Frequency	:	Max. 120 operations per minute.



10F, NO.50, MIN CHYUAN ROAD,  
SHIN-TIEN CITY, TAIPEI COUNTY,  
TAIWAN, R.O.C

TEL: 886-2-2918-8512 / 886-2-2918-0603  
FAX: 886-2-2915-5765 / 886-22916-0215  
[Http://www.zippy.com.tw](http://www.zippy.com.tw)

## APPROVED DATA SHEET

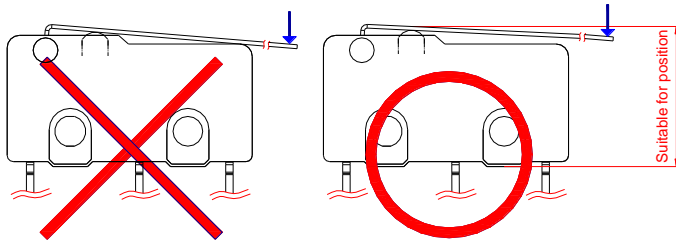
Model: 1001121176(SM1-G1S-01A0-Z)

ISSUED DATE: JUN.11.2014  
APPROVED NO.: 1001121176.A  
PAGE: 2/4

### 3. Environments

Operating Temperature	:	-40°C ~ 125°C ( with no icing )
Vibration Resistance	:	10~55Hz, displacement 0.75mm(p-p)
Shock Resistance	:	Destruction: 1,000 m/s <sup>2</sup> {approx. 100G} max. Malfunction: 300 m/s <sup>2</sup> {approx. 30G} max.
Soldering by hand	:	350°C maximum within 5 seconds.
Soldering bath	:	260°C maximum within 5 seconds.

**Note: Common terminal silver- plated, other terminals are gold-plated.**



ZIPPY TECHNOLOGY CORP.

卓妍蓁

PREPARED

林佩貞

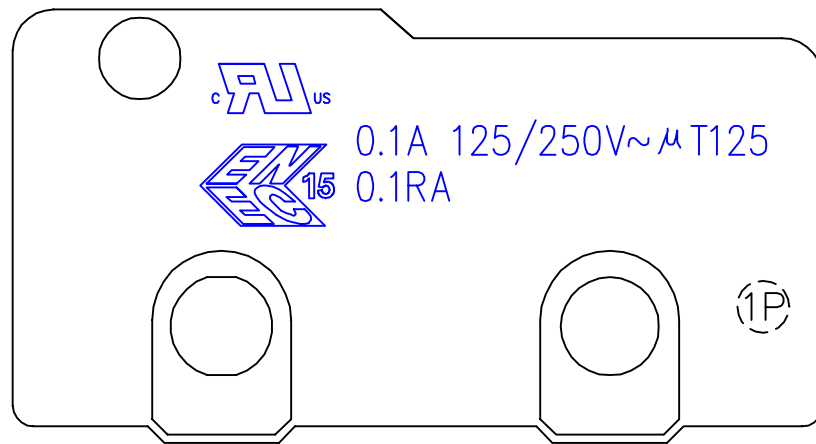
CHECKED

倪有庭

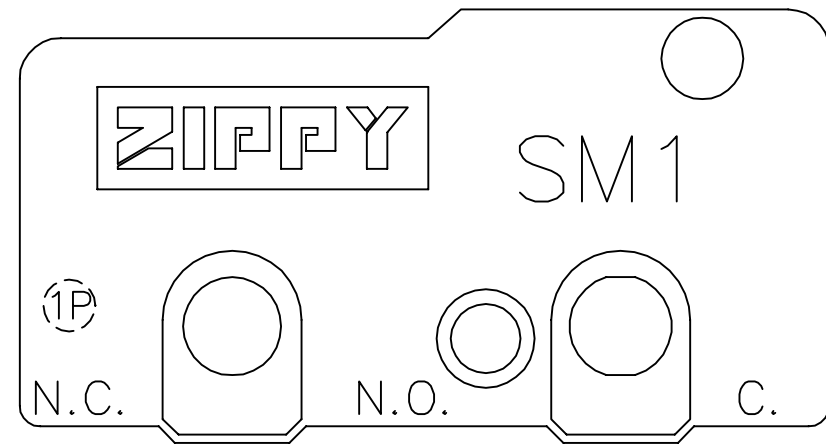
APPROVED



# Marking drawing



COVER



CASE

Markings are either by printing or molding

VIEW		SIZE	A4	UNIT	mm
DATE	JUL.15.2014	VER.	1.3	FILE NAME	SM1-N1
APPROVAL	倪有庭	CONFIRM	林佩貞	DESIGN	李東軒