



ZIPPY TECHNOLOGY CORP.



10F, NO.50, MIN CHYUAN ROAD,  
SHIN-TIEN CITY, TAIPEI COUNTY,  
TAIWAN, R.O.C

TEL: 886-2-2918-8512 / 886-2-2918-0603  
FAX: 886-2-2915-5765 / 886-22916-0215  
[Http://www.zippy.com.tw](http://www.zippy.com.tw)

### APPROVED DATA SHEET

Model: 1001120863(SM1-16H-04P0-Z)

ISSUED DATE: NOV.12.2015  
APPROVED NO.: 1001120863.B  
PAGE: 1/4

The undersigned guarantee of the model switches is meets the following specifications.

#### 1.Operation Characteristics

Operating Force (OF)	:	Max.111 gf
Releasing Force (RF)	:	Min.19 gf
Free Position ( FP )	:	Max.16.66 mm
Operating Position (OP)	:	13.3±1.2 mm
Movement Differential (MD)	:	Max.1.58 mm
Over-travel (OT)	:	Min.0.51 mm
Pre-travel (PT)	:	Max.5.02 mm

#### 2. Specifications

Initial Contact Resistance	:	Max. 300 mΩ . ( Measured by ohm meter –Open Voltage<1VDC, Driver current -100mA ) Before measure the switch contact resistance, please press the switch three times on and off.
Initial Dielectric Strength	:	1,000VAC(50-60HZ)/minute between contacts. 1,500VAC(50-60HZ)/minute between Live-parts and dead metal parts.
Insulation Resistance	:	Min. 100 MΩ (500 VDC/ minute) between Live-parts and dead metal parts.
Circuit Arrangement	:	SPDT (Single pole double throw)
Rating	:	16A 125/250VAC; 6(3)A 125/250VAC
Service Life	:	Min. 10,000 operations.
Rating Load	:	Resistive and Motor Load.
Operating Frequency	:	10~30 operations per minute.
Safety Certificate	:	UL, cUL, ENEC



## APPROVED DATA SHEET

Model: 1001120863(SM1-16H-04P0-Z)

ISSUED DATE: NOV.12.2015  
APPROVED NO.: 1001120863.B  
PAGE: 2/4

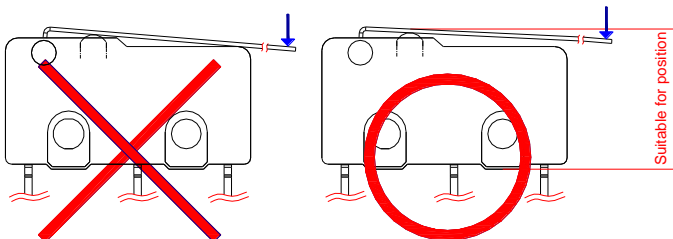
### 3. Environments

Operating Temperature :  $-40^{\circ}\text{C} \sim 125^{\circ}\text{C}$  ( with no icing )  
Vibration Resistance : 10~55Hz, displacement 0.75mm(p-p)  
Shock Resistance : Destruction:  $1,000 \text{ m/s}^2$  {approx. 100G} max.  
Malfunction:  $300 \text{ m/s}^2$  {approx. 30G} max.

( For the pin plunger models, the vibration & shock condition apply for use at the free position and total travel position )

( For the lever models, the vibration & shock condition apply for use at the total travel position )

Soldering by hand :  $350^{\circ}\text{C}$  maximum within 5 seconds.  
Soldering bath :  $260^{\circ}\text{C}$  maximum within 5 seconds.



ZIPPY TECHNOLOGY CORP.

卓妍蓁

PREPARED

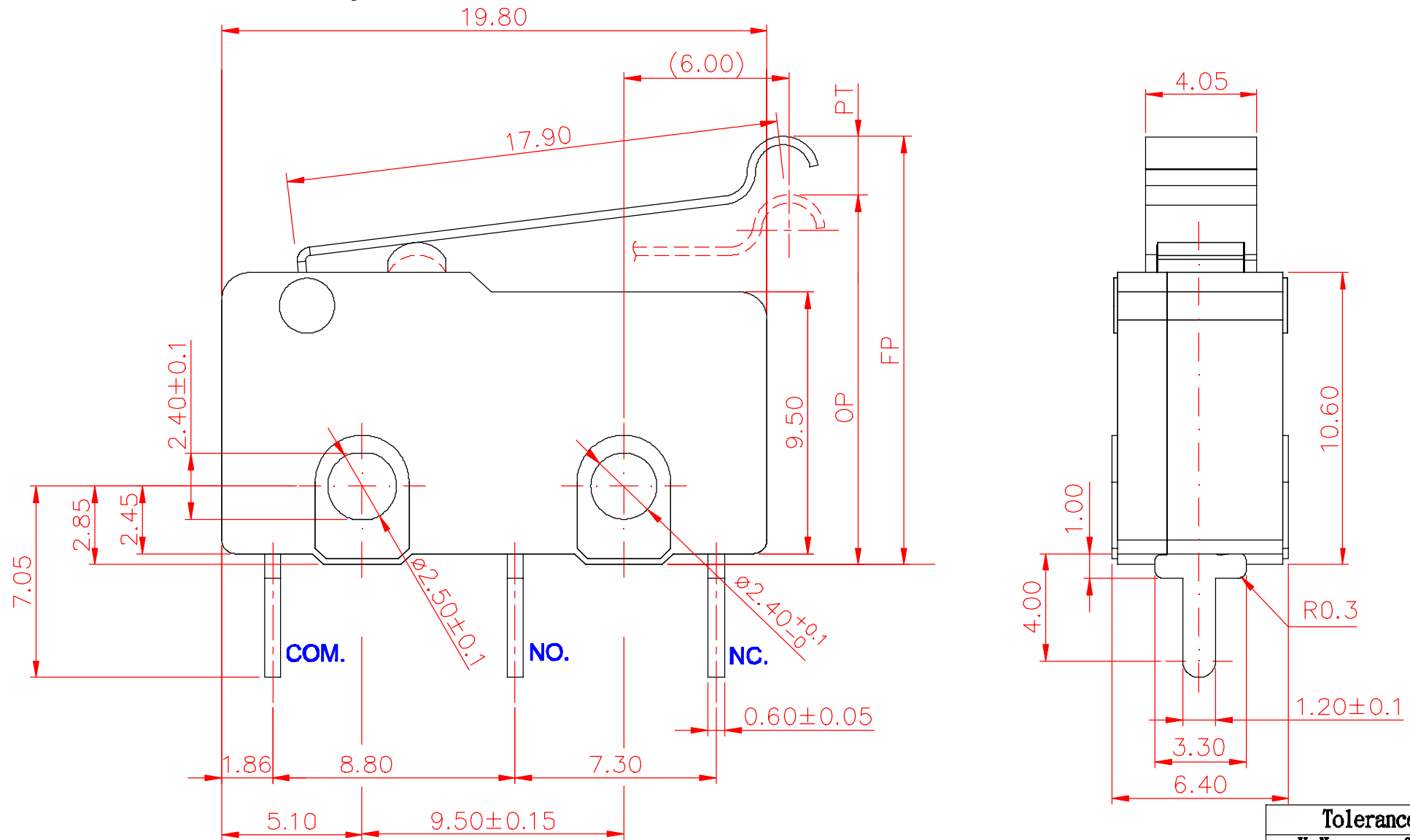
林佩貞

CHECKED

倪有庭

APPROVED

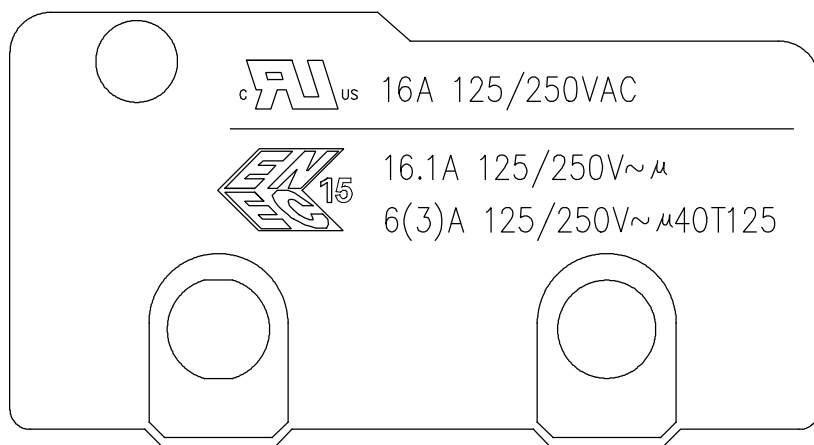
# Dimensions drawing



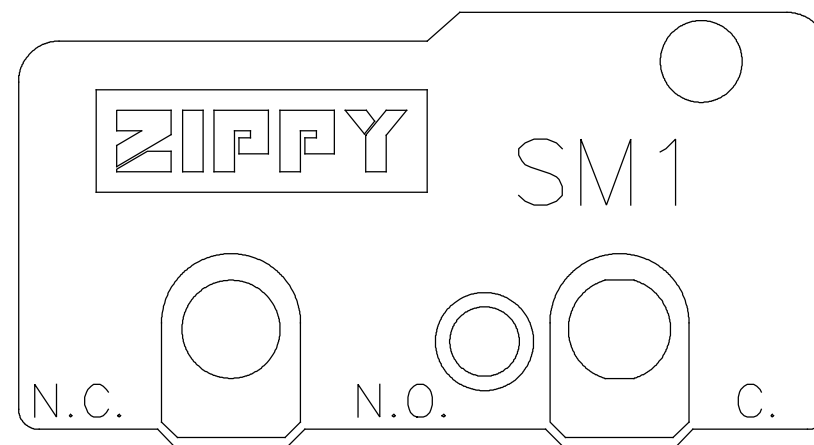
Tolerance	
X.X	± 0.2
XX.X	± 0.4

VIEW		SIZE	A4	UNIT	mm
DATE	Oct.08.2014	VER.	1.5	FILE NAME	SM1-04P0
APPROVAL	倪有庭	CONFIRM	林佩貞	DESIGN	李東軒

# Marking drawing



COVER



CASE

1. Markings are either by printing or molding.
2. Appearance according to dimensions drawing.

VIEW		SIZE	A4	UNIT	mm
DATE	SEP.24.2015	VER.	1.4	FILE NAME	SM1-16
APPROVAL	倪有庭	CONFIRM	王永輝	DESIGN	林佩貞