



ZIPPY TECHNOLOGY CORP.



10F, NO.50, MIN CHYUAN ROAD,  
SHIN-TIEN CITY, TAIPEI COUNTY,  
TAIWAN, R.O.C

TEL: 886-2-2918-8512 / 886-2-2918-0603  
FAX: 886-2-2915-5765 / 886-22916-0215  
[Http://www.zippy.com.tw](http://www.zippy.com.tw)

**APPROVED DATA SHEET**

-----  
**Model: 1001120066(SM1-16H-00P0-Z)**  
=====

ISSUED DATE: NOV.12.2015  
APPROVED NO.: 1001120066.C  
PAGE: 1/4

The undersigned guarantee of the model switches is meets the following specifications.

**1.Operation Characteristics**

**1.Operation Characteristics**

- Operating Force (OF) : Max. 355 gf
- Releasing Force (RF) : Min. 100 gf
- Free Position ( FP ) : Max. 12.2 mm
- Operating Position (OP) : 11.4±0.3 mm
- Movement Differential (MD) : Max.0.2 mm
- Over-travel (OT) : Min. 0.4 mm
- Pre-travel (PT) : Max.1.1 mm

**2. Specifications**

- Initial Contact Resistance : Max. 300 mΩ .  
( Measured by ohm meter –Open Voltage<1VDC, Driver current -100mA )  
Before measure the switch contact resistance, please press the switch three times on and off.
- Initial Dielectric Strength : 1,000VAC(50-60HZ)/minute between contacts.  
1,500VAC(50-60HZ)/minute between Live-parts and dead metal parts.
- Insulation Resistance : Min. 100 MΩ (500 VDC/ minute) between Live-parts and dead metal parts.
- Circuit Arrangement : SPDT (Single pole double throw)
- Rating : 16A 125/250VAC; 6(3)A 125/250VAC
- Service Life : Min. 10,000 operations.
- Rating Load : Resistive and Motor Load.
- Operating Frequency : 10~30 operations per minute.
- Safety Certificate : UL, cUL, ENEC



10F, NO.50, MIN CHYUAN ROAD,  
SHIN-TIEN CITY, TAIPEI COUNTY,  
TAIWAN, R.O.C

TEL: 886-2-2918-8512 / 886-2-2918-0603  
FAX: 886-2-2915-5765 / 886-22916-0215  
[Http://www.zippy.com.tw](http://www.zippy.com.tw)

## APPROVED DATA SHEET

Model: 1001120066(SM1-16H-00P0-Z)

ISSUED DATE: NOV.12.2015  
APPROVED NO.: 1001120066.C  
PAGE: 2/4

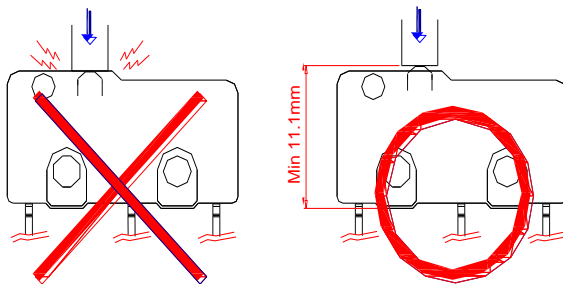
### 3. Environments

Operating Temperature :  $-40^{\circ}\text{C} \sim 125^{\circ}\text{C}$  (with no icing)  
Vibration Resistance : 10~55Hz, displacement 0.75mm(p-p)  
Shock Resistance : Destruction:  $1,000 \text{ m/s}^2$  {approx. 100G} max.  
Malfunction:  $300 \text{ m/s}^2$  {approx. 30G} max.

( For the pin plunger models, the vibration & shock condition apply for use at the free position and total travel position )

( For the lever models, the vibration & shock condition apply for use at the total travel position )

Soldering by hand :  $350^{\circ}\text{C}$  maximum within 5 seconds.  
Soldering bath :  $260^{\circ}\text{C}$  maximum within 5 seconds.



ZIPPY TECHNOLOGY CORP.

卓妍蓁

PREPARED

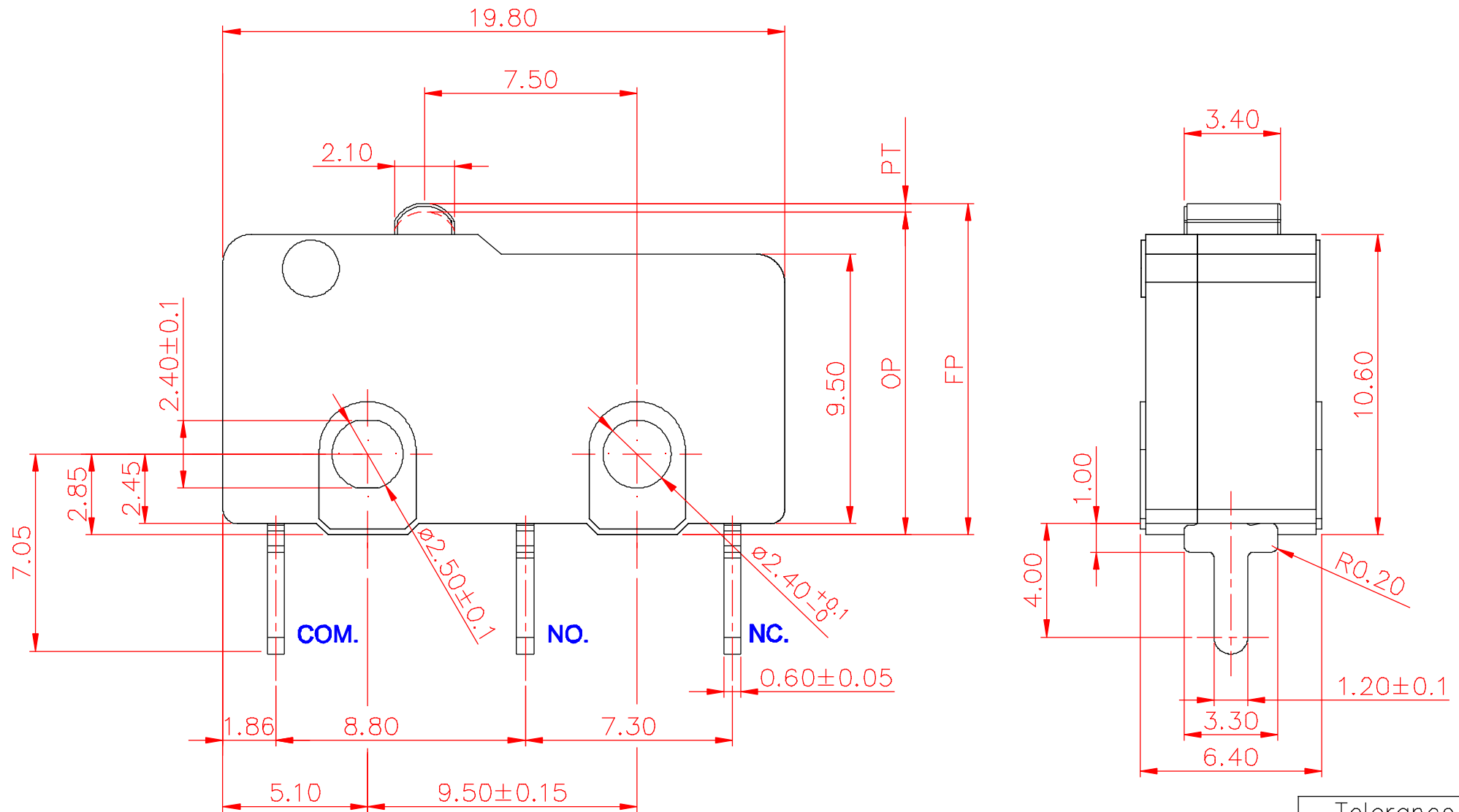
林佩貞

CHECKED

倪有庭

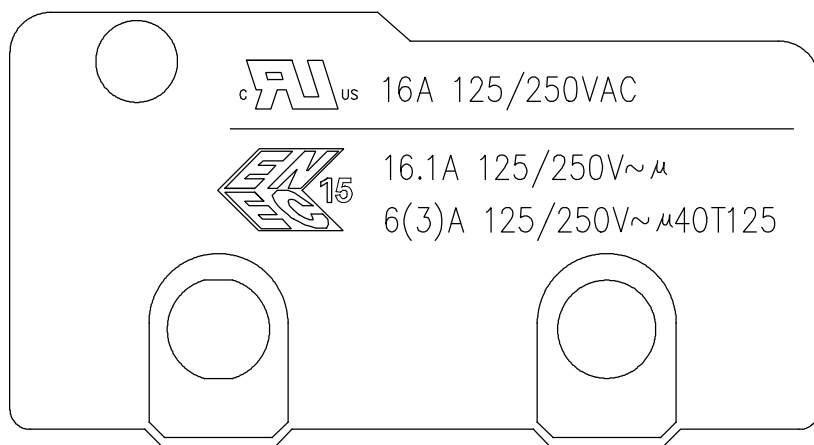
APPROVED

# Dimensions drawing

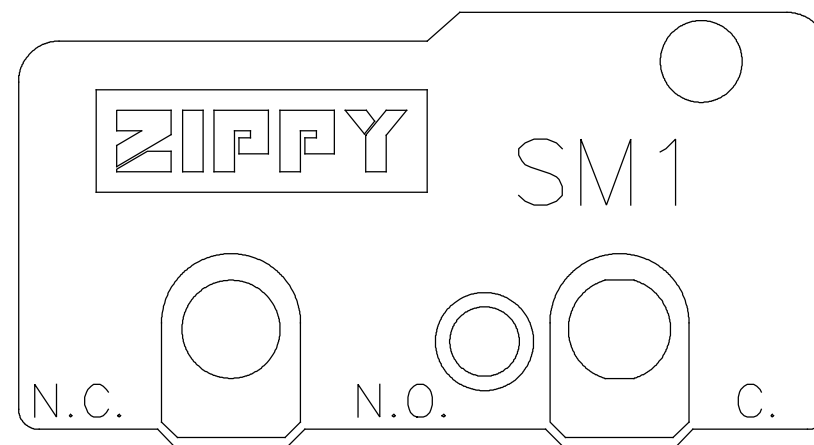


VIEW		SIZE	A4	UNIT	mm
DATE	JAN.15.2015	VER.	1.5	FILE NAME	SM1-00PO
APPROVAL	倪有庭	CONFIRM	王永輝	DESIGN	林佩貞

# Marking drawing



COVER



CASE

1. Markings are either by printing or molding.
2. Appearance according to dimensions drawing.

VIEW		SIZE	A4	UNIT	mm
DATE	SEP.24.2015	VER.	1.4	FILE NAME	SM1-16
APPROVAL	倪有庭	CONFIRM	王永輝	DESIGN	林佩貞