



ZIPPY TECHNOLOGY CORP.



10F, NO.50, MIN CHYUAN ROAD,
SHIN-TIEN CITY, TAIPEI COUNTY,
TAIWAN, R.O.C

TEL: 886-2-2918-8512 / 886-2-2918-0603
FAX: 886-2-2915-5765 / 886-22916-0215
[Http://www.zippy.com.tw](http://www.zippy.com.tw)

APPROVED DATA SHEET

Model: 1000140699(DW-N3S-04A0D-Z)
=====

ISSUED DATE: NOV.05.2015
APPROVED NO.: 1000140699.B
PAGE: 1/4

The undersigned guarantee of the model switches is meets the following specifications.

1.Operation Characteristics

Operating Force (OF)	:	Max. 160 gf
Releasing Force (RF)	:	Min. 45 gf
Free Position (FP)	:	Max. 10.1 mm
Operating Position (OP)	:	6.2±0.8 mm
Movement Differential (MD)	:	Max. 0.7 mm
Over-travel (OT)	:	Min. 1.65 mm
Pre-travel (PT)	:	Max. 4.8 mm

2. Specifications

Initial Contact Resistance	:	Max. 100 mΩ . (Measured by ohm meter –Open Voltage<1VDC, Driver current -100mA) Before measure the switch contact resistance, please press the switch three times on and off.
Initial Dielectric Strength	:	150VAC(50-60HZ)/minute between contacts. 500VAC(50-60HZ)/minute between Live-parts and dead metal parts.
Insulation Resistance	:	Min. 100 MΩ (500 VDC/ minute) between Live-parts and dead metal parts.
Circuit Arrangement	:	SPDT (Single pole double throw)
Rating and Service Life	:	3A 12VDC - Min. 100,000 operations. 3A 125VAC - Min. 6,000 operations.
Rating Load	:	Resistive Load.
Operating Frequency	:	10~30 operations per minute.
Safety Certificate	:	ENEC (3A 12VDC)
Mechanical Service Life	:	Min. 500,000 operations.
Operating Frequency	:	Max. 120 operations per minute.



10F, NO.50, MIN CHYUAN ROAD,
SHIN-TIEN CITY, TAIPEI COUNTY,
TAIWAN, R.O.C

TEL: 886-2-2918-8512 / 886-2-2918-0603
FAX: 886-2-2915-5765 / 886-22916-0215
[Http://www.zippy.com.tw](http://www.zippy.com.tw)

APPROVED DATA SHEET

Model: 1000140699(DW-N3S-04A0D-Z)

ISSUED DATE: NOV.05.2015
APPROVED NO.: 1000140699.B
PAGE: 2/4

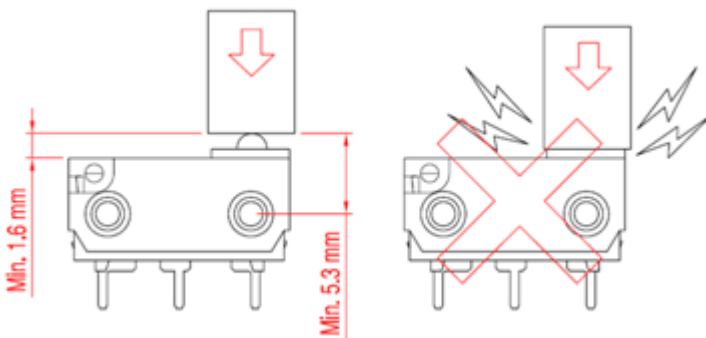
3. Environments

Operating Temperature : -40°C~85°C (with no icing)
Vibration Resistance : 10~55Hz, displacement 0.75mm(p-p)
Shock Resistance : Destruction: 1,000 m/s² {approx. 100G} max.
Malfunction: 300 m/s² {approx. 30G} max.

(For the pin plunger models, the vibration & shock condition apply for use at the free position and total travel position)

(For the lever models, the vibration & shock condition apply for use at the total travel position)

Soldering by hand : 300°C maximum within 5 seconds.
350°C maximum within 3 seconds.
Soldering bath : 260°C maximum within 5 seconds.



ZIPPY TECHNOLOGY CORP.

李東軒

PREPARED

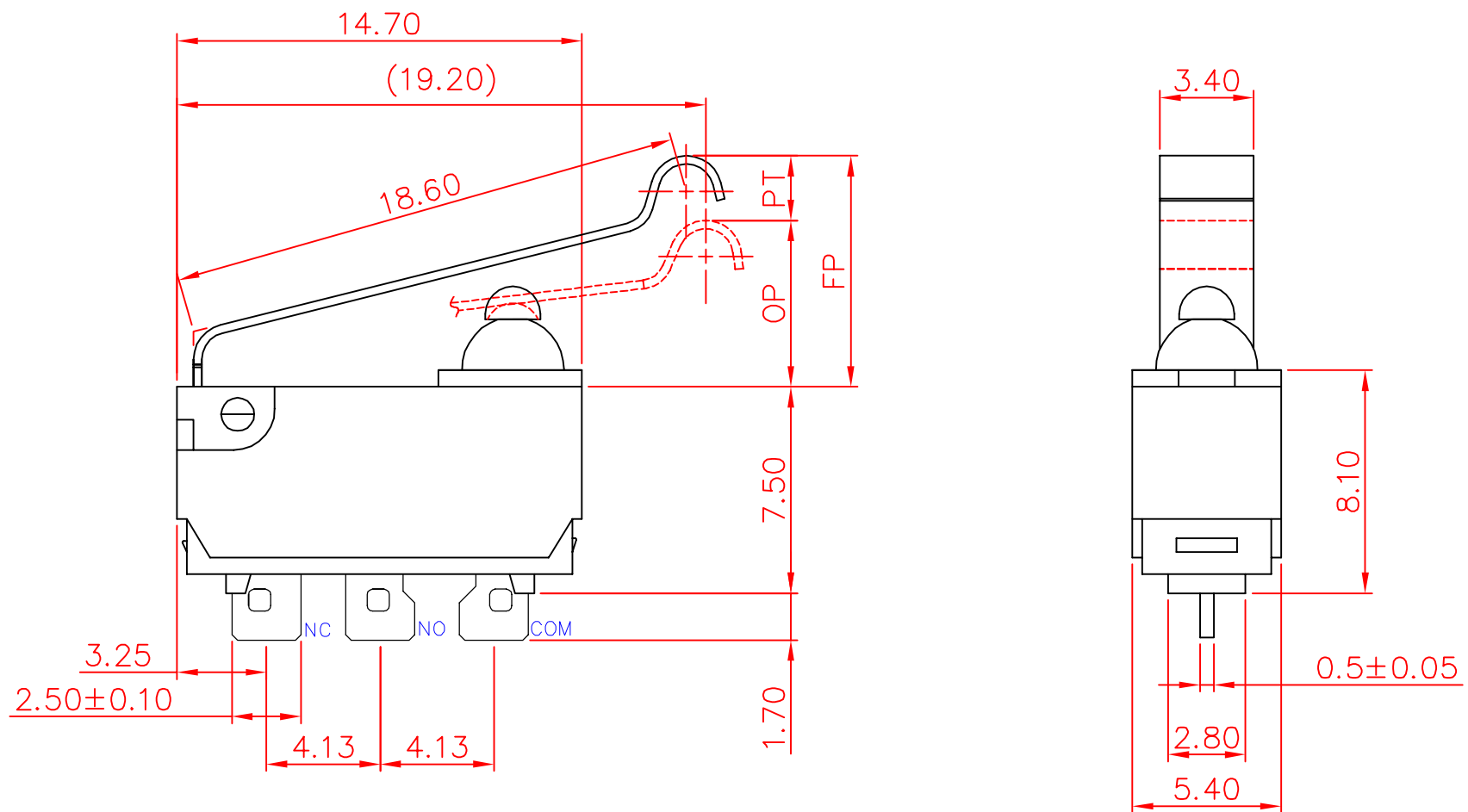
陳維塘

CHECKED

倪有庭

APPROVED

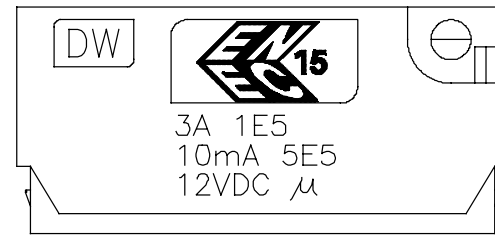
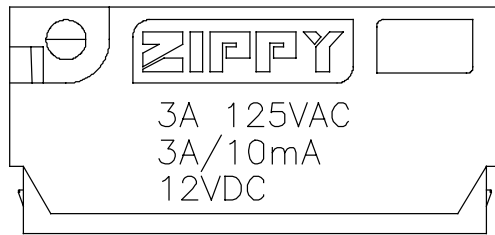
Dimensions drawing



Tolerance	
X.X	±0.2
XX.X	±0.4

VIEW		SIZE	A4	UNIT	mm
DATE	DEC 02, 2011	VER.	1.1	FILE NAME	DW-04A0D
APPROVAL	李金龍	CONFIRM	張哲維	DESIGN	歐大揮

Marking drawing



1. Marking will be random on side A or side B.
2. Markings are either by printing or molding.
3. Appearance according to dimensions drawing.

Tolerance ±0.4

新巨企業股份有限公司	ZIPPY TECHNOLOGY CORP.	VIEW		SIZE	A4	UNIT	mm
		DATE	SEP.23.2015	VER.	1.2	FILE NAME	DW-03-Z
		APPROVAL	張哲維	CONFIRM	黃俊嘉	DESIGN	歐大揮