



ZIPPY TECHNOLOGY CORP.



10F, NO.50, MIN CHYUAN ROAD,  
SHIN-TIEN CITY, TAIPEI COUNTY,  
TAIWAN, R.O.C

TEL: 886-2-2918-8512 / 886-2-2918-0603  
FAX: 886-2-2915-5765 / 886-22916-0215  
[Http://www.zippy.com.tw](http://www.zippy.com.tw)

### APPROVED DATA SHEET

Model: 1000140695(DW-N3S-00A1C-Z)

ISSUED DATE: NOV.05.2015  
APPROVED NO.: 1000140695.B  
PAGE: 1/4

The undersigned guarantee of the model switches is meets the following specifications.

#### 1.Operation Characteristics

- Operating Force (OF) : Max. 130 gf
- Releasing Force (RF) : Min. 13 gf
- Free Position ( FP ) : Max. 7.35 mm
- Operating Position (OP) : 6.75±0.2 mm
- Movement Differential (MD) : Max. 0.3 mm
- Over-travel (OT) : Min. 0.8 mm
- Pre-travel (PT) : Max. 0.8 mm

#### 2. Specifications

- Initial Contact Resistance : Max. 100 mΩ .  
( Measured by ohm meter –Open Voltage<1VDC, Driver current -100mA )  
Before measure the switch contact resistance, please press the switch three times on and off.
- Initial Dielectric Strength : 150VAC(50-60HZ)/minute between contacts.  
500VAC(50-60HZ)/minute between Live-parts and dead metal parts.
- Insulation Resistance : Min. 100 MΩ ( 500 VDC/ minute ) between Live-parts and dead metal parts.
- Circuit Arrangement : SPST ( Single pole single throw )
- Rating and Service Life : 3A 12VDC - Min. 100,000 operations.  
: 3A 125VAC - Min. 6,000 operations.
- Rating Load : Resistive Load.
- Operating Frequency : 10~30 operations per minute.
- Safety Certificate : ENEC (3A 12VDC)
- Mechanical Service Life : Min. 500,000 operations.
- Operating Frequency : Max. 120 operations per minute.



## APPROVED DATA SHEET

Model: 1000140695(DW-N3S-00A1C-Z)

ISSUED DATE: NOV.05.2015  
APPROVED NO.: 1000140695.B  
PAGE: 2/4

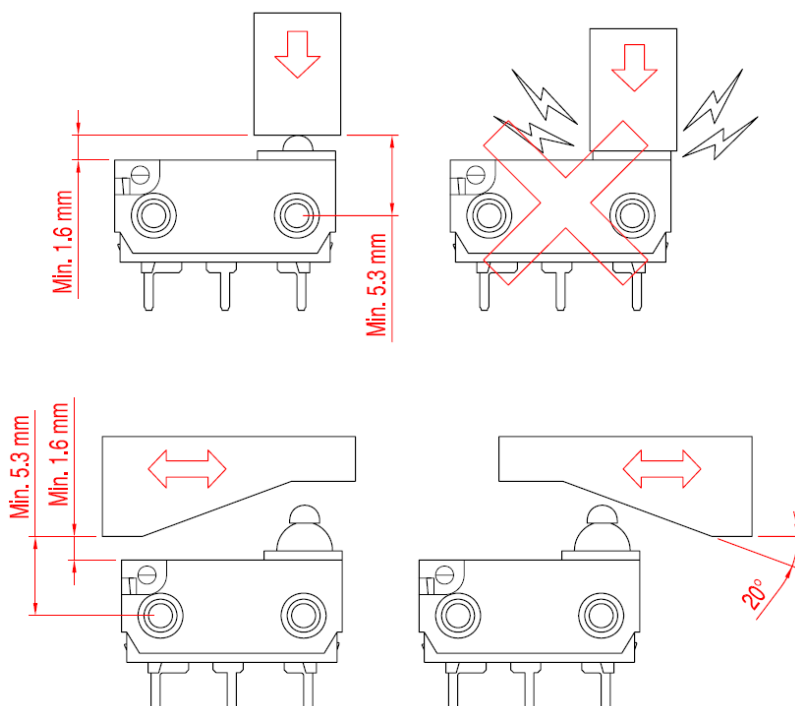
### 3. Environments

Operating Temperature	:	-40°C~85°C ( with no icing )
Vibration Resistance	:	10~55Hz, displacement 0.75mm(p-p)
Shock Resistance	:	Destruction: 1,000 m/s <sup>2</sup> {approx. 100G} max. Malfunction: 300 m/s <sup>2</sup> {approx. 30G} max.

( For the pin plunger models, the vibration & shock condition apply for use at the free position and total travel position )

( For the lever models, the vibration & shock condition apply for use at the total travel position )

Soldering by hand	:	300°C maximum within 5 seconds. 350°C maximum within 3 seconds.
Soldering bath	:	260°C maximum within 5 seconds.



ZIPPY TECHNOLOGY CORP.

李東軒

PREPARED

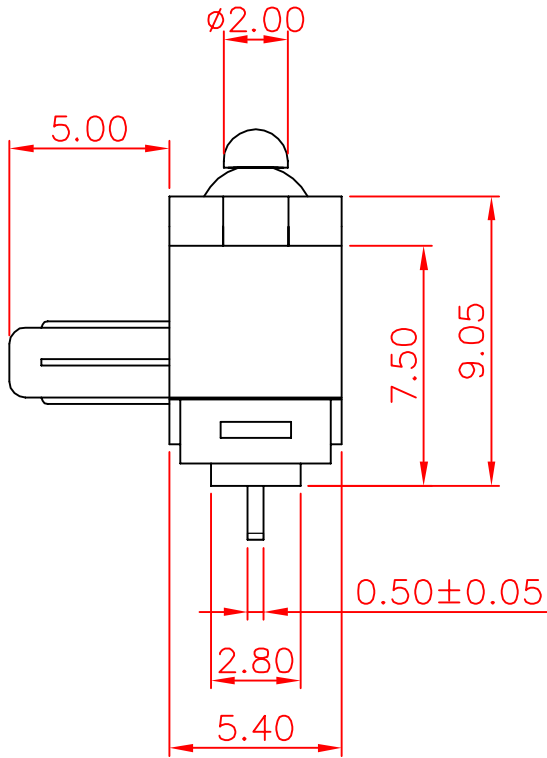
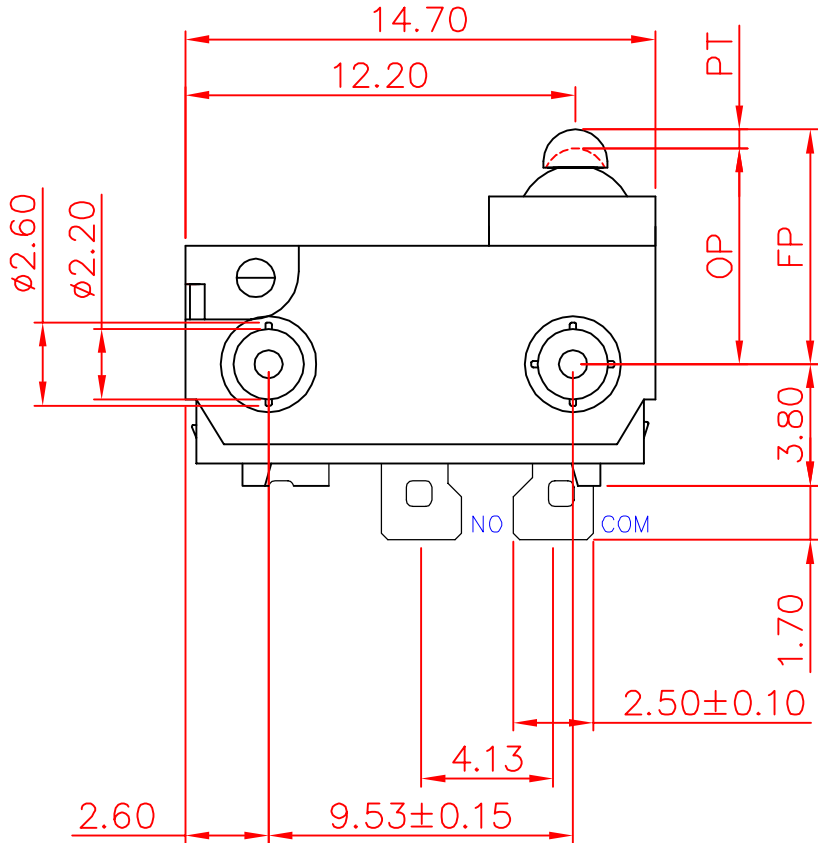
陳維塘

CHECKED

倪有庭

APPROVED

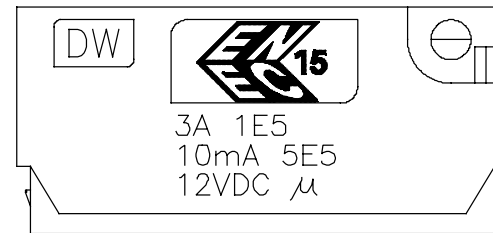
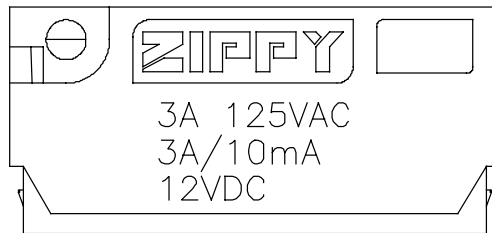
# Dimensions drawing



Tolerance	
X.X	$\pm 0.2$
XX.X	$\pm 0.4$

VIEW		SIZE	A4	UNIT	mm
DATE	NOV 28, 2011	VER.	1.1	FILE NAME	DW-00A1C
APPROVAL	李金龍	CONFIRM	張哲維	DESIGN	歐大揮

# Marking drawing



1. Marking will be random on side A or side B.
2. Markings are either by printing or molding.
3. Appearance according to dimensions drawing.

Tolerance ±0.4

VIEW		SIZE	A4	UNIT	mm
DATE	SEP.23.2015	VER.	1.2	FILE NAME	DW-03-Z
APPROVAL	張哲維	CONFIRM	黃俊嘉	DESIGN	歐大揮