



ZIPPY TECHNOLOGY CORP.



10F, NO.50, MIN CHYUAN ROAD,
SHIN-TIEN CITY, TAIPEI COUNTY,
TAIWAN, R.O.C

TEL: 886-2-2918-8512 / 886-2-2918-0603
FAX: 886-2-2915-5765 / 886-22916-0215
[Http://www.zippy.com.tw](http://www.zippy.com.tw)

APPROVED DATA SHEET

Model: 1000140925(DW-N3S-00A1A-Z)
=====

ISSUED DATE: NOV.09.2015
APPROVED NO.: 1000140925.B
PAGE: 1/4

The undersigned guarantee of the model switches is meets the following specifications.

1.Operation Characteristics

Operating Force (OF) : Max. 130 gf
Releasing Force (RF) : Min. 35 gf
Free Position (FP) : Max. 3.65 mm
Operating Position (OP) : 3.05±0.2 mm
Movement Differential (MD) : Max. 0.3 mm
Over-travel (OT) : Min. 0.8 mm
Pre-travel (PT) : Max. 0.8 mm

2. Specifications

Initial Contact Resistance : Max. 100 mΩ .
(Measured by ohm meter –Open Voltage<1VDC, Driver current -100mA)
Before measure the switch contact resistance, please press the switch three times on and off.

Initial Dielectric Strength : 150VAC(50-60HZ)/minute between contacts.
500VAC(50-60HZ)/minute between Live-parts and dead metal parts.

Insulation Resistance : Min. 100 MΩ (500 VDC/ minute) between Live-parts and dead metal parts.

Circuit Arrangement : SPST (Single pole single throw)

Rating and Service Life : 3A 12VDC - Min. 100,000 operations.
: 3A 125VAC - Min. 6,000 operations.

Rating Load : Resistive Load.

Operating Frequency : 10~30 operations per minute.

Safety Certificate : ENEC (3A 12VDC)

Mechanical Service Life : Min. 500,000 operations.

Operating Frequency : Max. 120 operations per minute.



APPROVED DATA SHEET

Model: 1000140925(DW-N3S-00A1A-Z)

ISSUED DATE: NOV.09.2015
APPROVED NO.: 1000140925.B
PAGE: 2/4

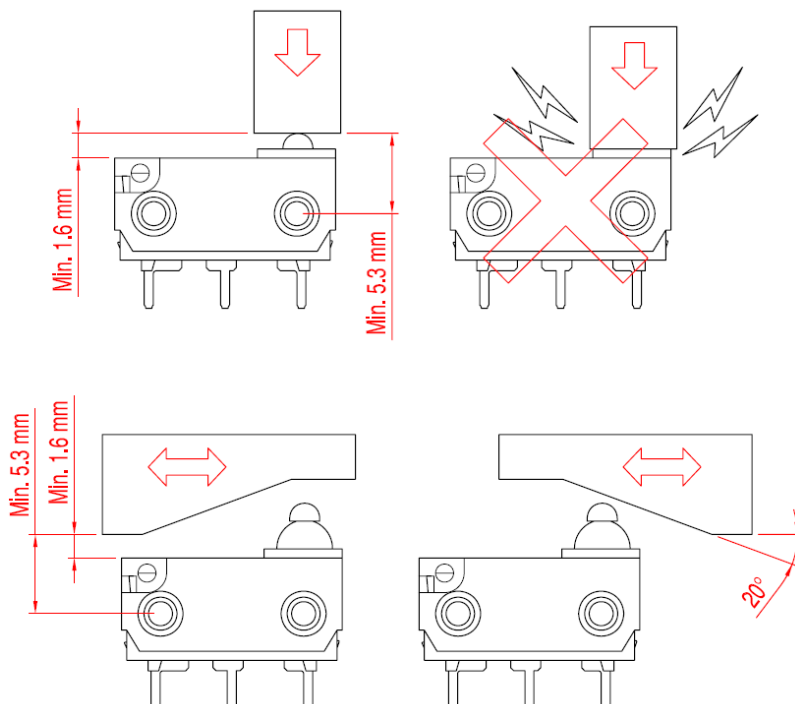
3. Environments

Operating Temperature	:	-40°C ~85°C (with no icing)
Vibration Resistance	:	10~55Hz, displacement 0.75mm(p-p)
Shock Resistance	:	Destruction: 1,000 m/s ² {approx. 100G} max. Malfunction: 300 m/s ² {approx. 30G} max.

(For the pin plunger models, the vibration & shock condition apply for use at the free position and total travel position)

(For the lever models, the vibration & shock condition apply for use at the total travel position)

Soldering by hand	:	300°C maximum within 5 seconds. 350°C maximum within 3 seconds.
Soldering bath	:	260°C maximum within 5 seconds.



ZIPPY TECHNOLOGY CORP.

李東軒

PREPARED

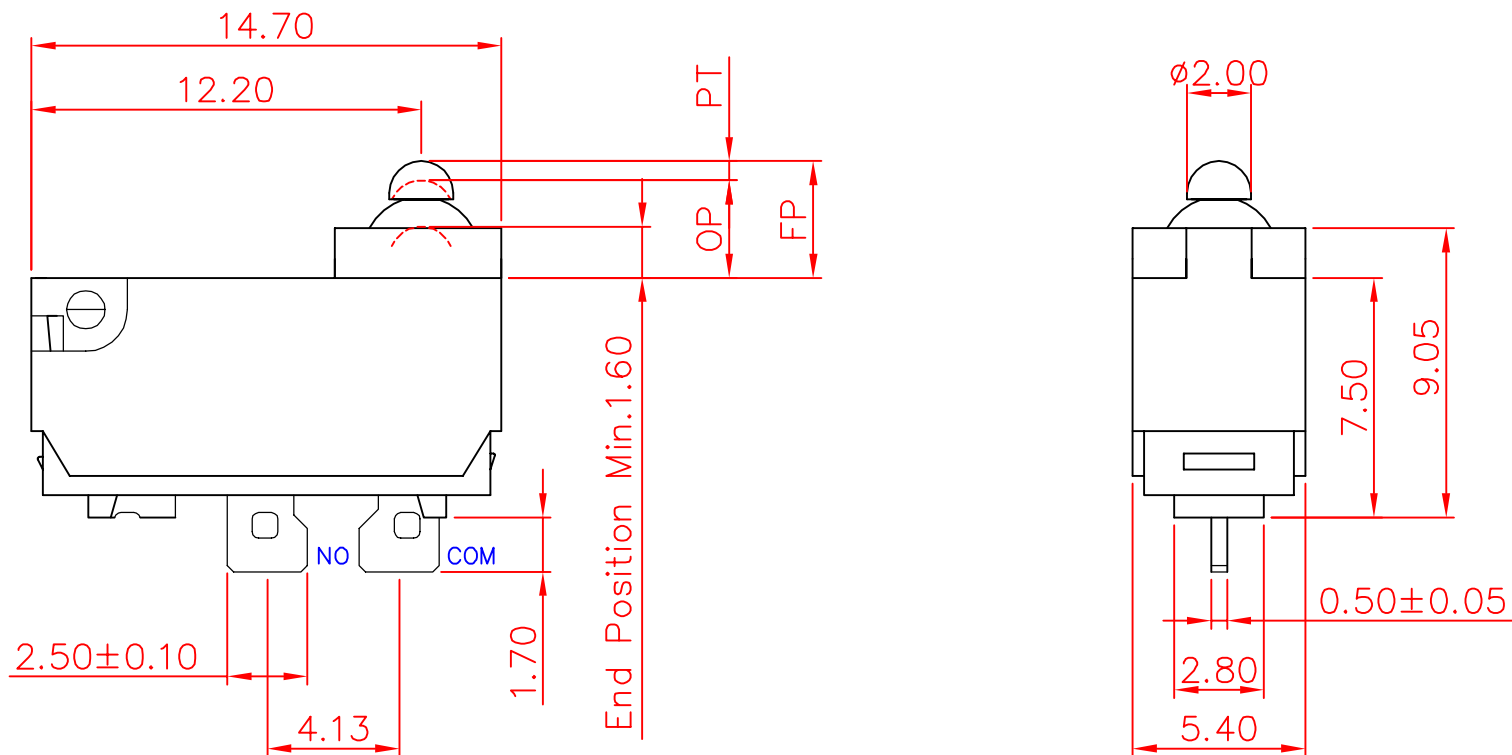
陳維塘

CHECKED

倪有庭

APPROVED

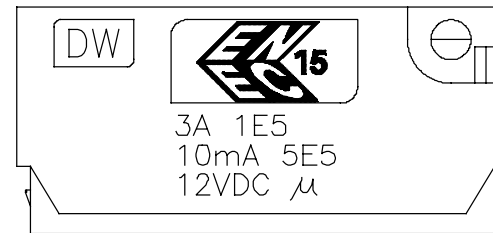
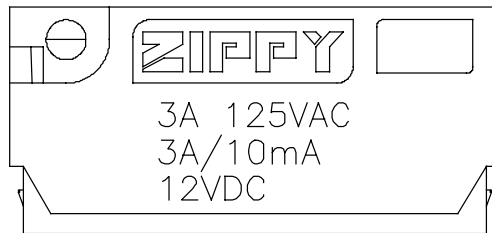
Dimensions drawing



Tolerance	
X.X	±0.2
XX.X	±0.4

VIEW		SIZE	A4	UNIT	mm
DATE	OCT 23, 2013	VER.	1.0	FILE NAME	DW-00A1A
APPROVAL	李金龍	CONFIRM	張哲維	DESIGN	歐大揮

Marking drawing



1. Marking will be random on side A or side B.
2. Markings are either by printing or molding.
3. Appearance according to dimensions drawing.

Tolerance ±0.4

新巨企業股份有限公司	ZIPPY TECHNOLOGY CORP.	VIEW		SIZE	A4	UNIT	mm
		DATE	SEP.23.2015	VER.	1.2	FILE NAME	DW-03-Z
		APPROVAL	張哲維	CONFIRM	黃俊嘉	DESIGN	歐大揮