



ZIPPY TECHNOLOGY CORP.



10F, NO.50, MIN CHYUAN ROAD,
SHIN-TIEN CITY, TAIPEI COUNTY,
TAIWAN, R.O.C

TEL: 886-2-2918-8512 / 886-2-2918-0603
FAX: 886-2-2915-5765 / 886-22916-0215
[Http://www.zippy.com.tw](http://www.zippy.com.tw)

APPROVED DATA SHEET

Model: 1000140260(DW-N2S-01A0-EA001-Z)

ISSUED DATE: 2020.01.07
APPROVED NO.: 1000140260.F
PAGE: 1/5

The undersigned guarantee of the model switches is meets the following specifications.

1.Operation Characteristics

Operating Force (OF) : Max. 195 gf
Releasing Force (RF) : Min. 55 gf
Free Position (FP) : Max. 7.0 mm
Operating Position (OP) : 3.7±0.5 mm
Movement Differential (MD) : Max. 0.5 mm
Over-travel (OT) : Min. 1.35 mm
Pre-travel (PT) : Max. 3.85 mm

2. Specifications

Initial Contact Resistance : Max. 100 mΩ .
(Measured by ohm meter –Open Voltage<1VDC, Driver current -100mA)
Before measure the switch contact resistance, please press the switch three times on and off.

Initial Dielectric Strength : 150VAC(50-60HZ)/minute between contacts.
500VAC(50-60HZ)/minute between Live-parts and dead metal parts.

Insulation Resistance : Min. 100 MΩ (500 VDC/ minute) between Live-parts and dead metal parts.

Circuit Arrangement : SPDT (Single pole double throw)

Rating : 10mA 12VDC

Service Life : Min. 500,000 operations.

Rating Load : Resistive Load.

Operating Frequency : 10~30 operations per minute.

Safety Certificate : ENEC

Mechanical Service Life : Min. 500,000 operations.

Operating Frequency : Max. 120 operations per minute.

International Protection Code : IP67



ZIPPY TECHNOLOGY CORP.



10F, NO.50, MIN CHYUAN ROAD,
SHIN-TIEN CITY, TAIPEI COUNTY,
TAIWAN, R.O.C

TEL: 886-2-2918-8512 / 886-2-2918-0603
FAX: 886-2-2915-5765 / 886-22916-0215
[Http://www.zippy.com.tw](http://www.zippy.com.tw)

APPROVED DATA SHEET

Model: 1000140260(DW-N2S-01A0-EA001-Z)

ISSUED DATE: 2020.01.07
APPROVED NO.: 1000140260.F
PAGE: 2/5

3. Environments

- Operating Temperature : -40°C~85°C(with no icing)
- Vibration Resistance : 10~55Hz, displacement 0.75mm(p-p)
- Shock Resistance : Destruction: 1,000 m/s² {approx. 100G} max.
Malfunction: 300 m/s² {approx. 30G} max.

(For the pin plunger models, the vibration & shock condition apply for use at the free position and total travel position)
(For the lever models, the vibration & shock condition apply for use at the total travel position)

- Soldering by hand : 300°C maximum within 5 seconds.
350°C maximum within 3 seconds.
- Soldering bath : 260°C maximum within 5 seconds.

ZIPPY TECHNOLOGY CORP.

歐大揮

PREPARED

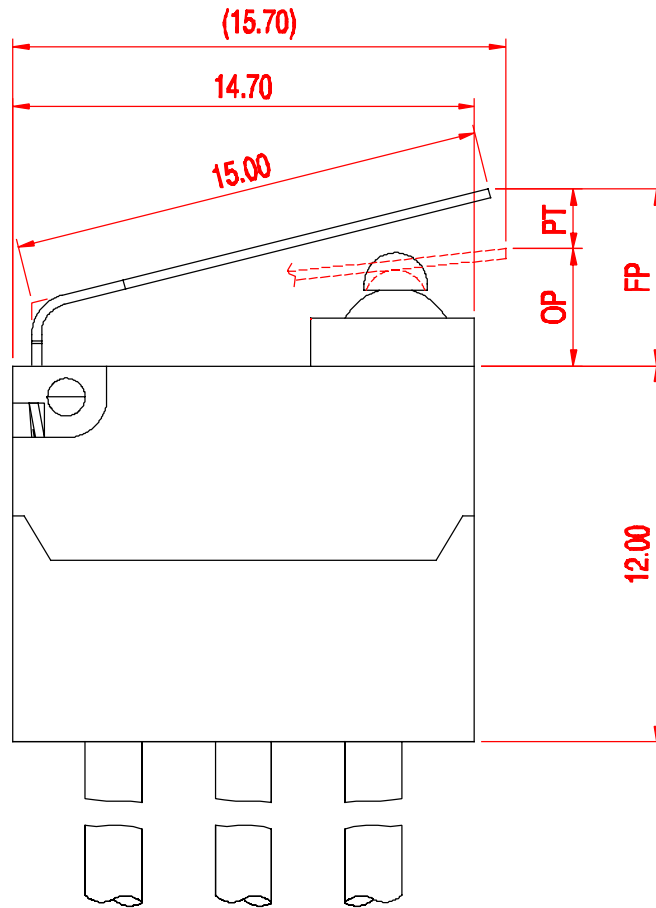
黃俊嘉

CHECKED

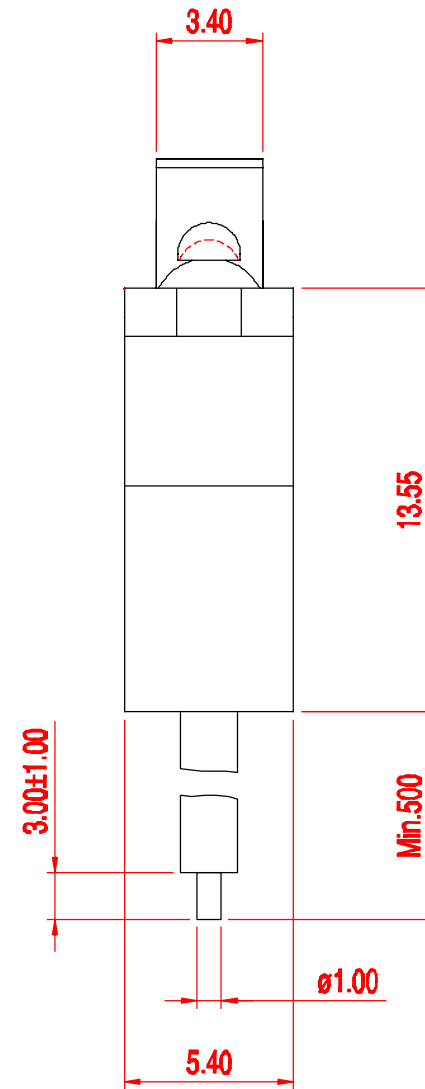
倪有庭

APPROVED

Dimensions drawing



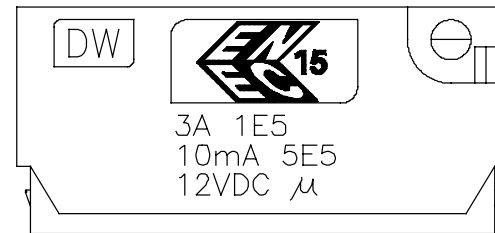
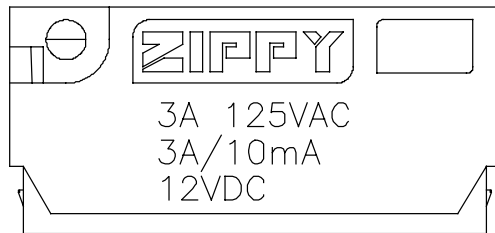
COM: UL1007 20AWG OR EQUIVALENT (BLACK)
 NO: UL1007 20AWG OR EQUIVALENT (BLUE)
 NC: UL1007 20AWG OR EQUIVALENT (GRAY)



| Tolerance | |
|-----------|------|
| X.X | ±0.2 |
| XX.X | ±0.4 |

| | | | | | |
|----------|------------|---------|-----|-----------|---------------|
| VIEW | | SIZE | A4 | UNIT | mm |
| DATE | Nov 9.2015 | VER. | 1.3 | FILE NAME | DW-01A0-EA001 |
| APPROVAL | 張哲維 | CONFIRM | 歐大揮 | DESIGN | 簡永鎮 |

Marking drawing



1. Marking will be random on side A or side B.
2. Markings are either by printing or molding.
3. Appearance according to dimensions drawing.

Tolerance ±0.4

| | | | | | |
|----------|-------------|---------|-----|-----------|---------|
| VIEW | | SIZE | A4 | UNIT | mm |
| DATE | SEP.23.2015 | VER. | 1.2 | FILE NAME | DW-03-Z |
| APPROVAL | 張哲維 | CONFIRM | 黃俊嘉 | DESIGN | 歐大揮 |

CAUTIONS:

注意事項

1: To secure the switch, please use an M3 small screw on a flat surface and tighten with plane washers or spring washers to securely mount the Switch, using a maximum torque of 0.29 N·m.

若使用定位孔型式上蓋，請使用M3小型螺絲固定在平面上，並使用平墊圈或者彈性墊圈以便安全的鎖固開關，鎖固扭力請勿超過0.29 Nm.

2: Do not handle the switch in a way that may cause damage to the sealed rubber & switch sealing.

使用開關時，請勿損壞開關防水矽膠罩及開關防水膠。

3: Wires should not be dragged.

使用帶線型式時，請注意避免拉扯線材。

4: To ensure the best performance of the switch, when handling/installing the switch, please do not apply uneven pressure to the direction indicated by the arrow in Figure 1. Any uneven pressure or pressure direction other than the operating direction might be harmful or damage the switch performance.

為確保開關正常運作，安裝及取用開關時，請勿直接施加壓力在圖-1中箭頭所指示的方向。如圖所示，任何不對稱的壓力或作動方向以外的壓力都不適用在開關按柄上。

5: Do not exceed the end position (EP) and over travel (OT). This could cause operation failure. (Figure-2)

圖示設計按壓位置，請勿超過開關下死點及超出行程，以避免開關失效。(圖2)

6: Avoid applying any grease/oil and chemicals on the switch rubber.

請避免沾附任何油脂或者化學物質在開關的矽膠防水罩上。

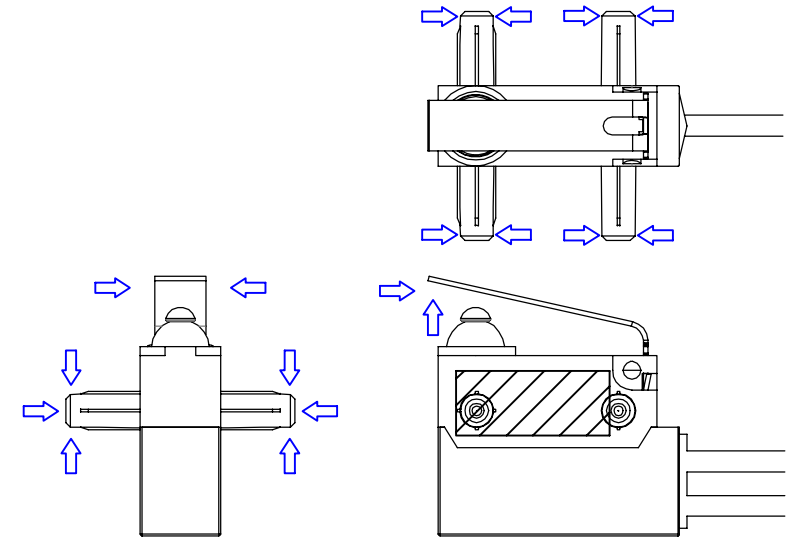


Figure-1

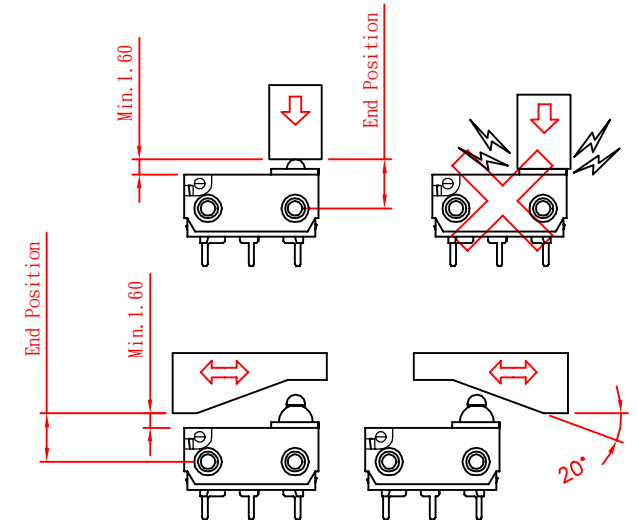


Figure-2

| △ | DATE | APPROVAL | DESIGN | ENGINEERING CHANGE DESCRIPTION | VIEW | | SIZE | A4 | UNIT | mm |
|------------|------|----------|--------|--------------------------------|----------|------------|---------|-----|-----------|-------------|
| 新巨企業股份有限公司 | | | | ZIPPY TECHNOLOGY CORP. | DATE | 2019.12.12 | VER. | 1.0 | FILE NAME | DW-CAUTIONS |
| | | | | | APPROVAL | 倪有庭 | CONFIRM | 黃俊嘉 | DESIGN | 歐大揮 |