



ZIPPY TECHNOLOGY CORP.



10F, NO.50, MIN CHYUAN ROAD,  
SHIN-TIEN CITY, TAIPEI COUNTY,  
TAIWAN, R.O.C

TEL: 886-2-2918-8512 / 886-2-2918-0603  
FAX: 886-2-2915-5765 / 886-22916-0215  
[Http://www.zippy.com.tw](http://www.zippy.com.tw)

### APPROVED DATA SHEET

**Model: 1000100538(DF-P1S-4P-Z)**

Available for the model that mouse has stoppers added more than Min. 0.1mm

ISSUED DATE: Apr.13.2011  
APPROVED NO.: 1000100538.A  
PAGE: 1/4

The undersigned guarantee of the model switches is meets the following specifications.

#### 1.Operation Characteristics

Operating Force (OF) : Max. 69 gf  
Releasing Force (RF) : Min. 10 gf  
Free Position (FP) : Max. 10.8 mm  
Operating Position (OP) : 8.0±0.8 mm  
Movement Differential (MD) : Max. 0.7 mm  
Over-travel (OT) : Min. 0.5 mm  
Pre-travel (PT) : Max. 2.5 mm

#### 2. Specifications

Initial Contact Resistance : Max. 100 mΩ .  
( Measured by ohm meter –Open Voltage<1VDC, Driver current -100mA )  
Before measure the switch contact resistance, please press the switch three times on and off.

Initial Dielectric Strength : 1,000VAC(50-60HZ)/minute between Live-parts and dead metal parts.

Insulation Resistance : Min. 100 MΩ ( 500 VDC/ minute ) between Live-parts and dead metal parts.

Circuit Arrangement : SPDT ( Single pole double throw )

Rating : 0.1A 30VDC; 0.1A 125 VAC

Service Life : Min. 1,000,000operations

Rating Load : Resistive Load

Operating Frequency : 120 operations per minute.

Mechanical Service Life : Min. 1,000,000 operations.

Operating Frequency : Max. 120 operations per minute.



## APPROVED DATA SHEET

-----  
**Model: 1000100538(DF-P1S-4P-Z)**  
=====

Available for the model that mouse has stoppers added more than Min. 0.1mm

ISSUED DATE: Apr.13.2011  
APPROVED NO.: 1000100538.A  
PAGE: 2/4

### 3. Environments

Operating Temperature	:	-40°C ~ 85°C ( with no icing )
Storage Temperature	:	-25°C ~ 85°C ( with no icing )
Storage Humidity	:	at 40°C, Max. 85% R.H
Vibration Resistance	:	10~55Hz, displacement 0.75mm(p-p)
Shock Resistance	:	Destruction: 1,000 m/s <sup>2</sup> {approx. 100G} max. Malfunction: 300 m/s <sup>2</sup> {approx. 30G} max.
Soldering by hand	:	260°C maximum within 5 seconds. 300°C maximum within 3 seconds.
Soldering bath	:	260°C maximum within 5 seconds. (PCB thickness more than Min 1.6 mm.)

ZIPPY TECHNOLOGY CORP.

黃玉燕

-----  
PREPARED

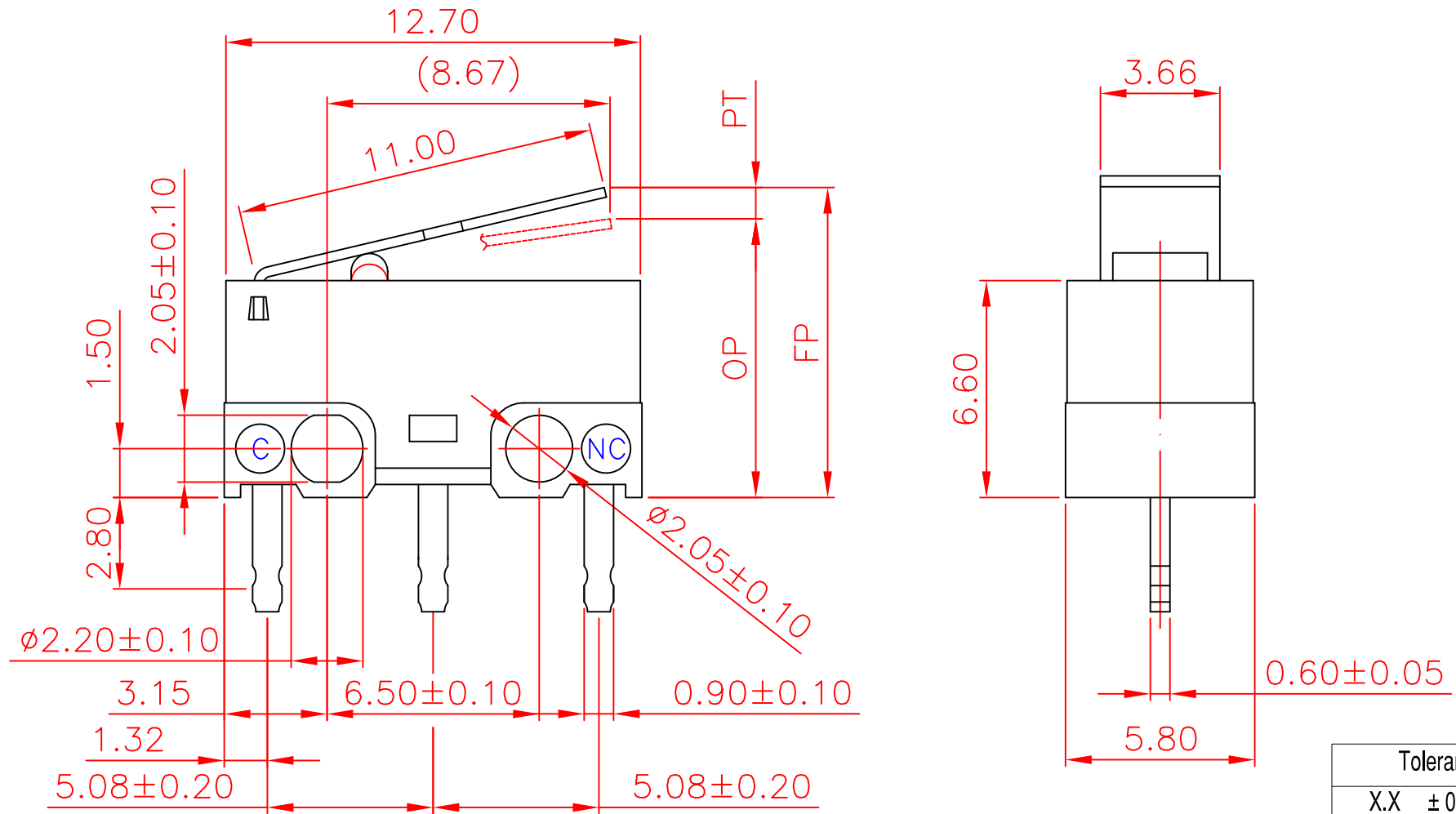
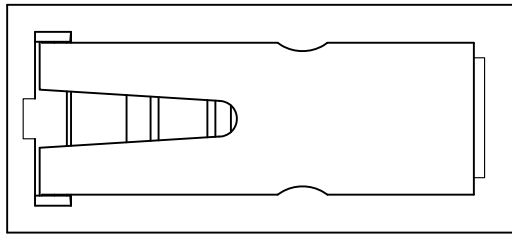
方鼎杰

-----  
CHECKED

張哲維

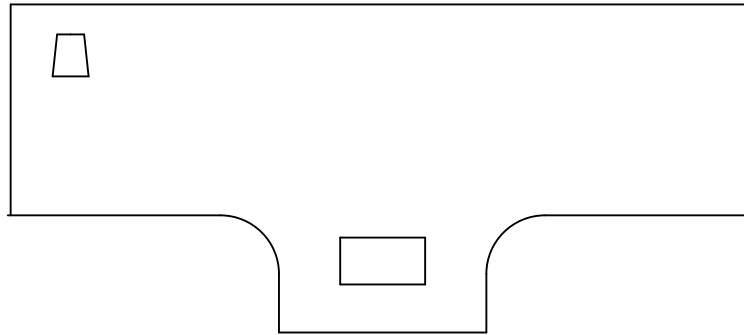
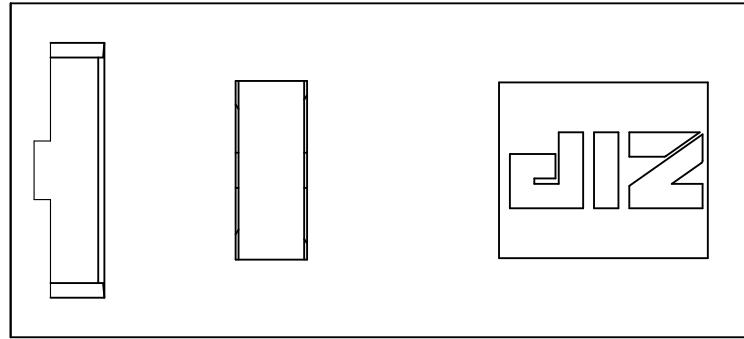
-----  
APPROVED

# Dimensions drawing



Tolerance	
X.X	±0.2
XX.X	±0.4

VIEW		SIZE	A4	UNIT	mm
DATE	OCT.20.2010	VER.	1.3	FILE NAME	DF-04P0
APPROVAL	李金龍	CONFIRM	張哲維	DESIGN	謝佩君



*Markings are either by printing or molding*

VIEW		SIZE	A4	UNIT	mm
DATE	JUL.16.2014	VER.	1.3	FILE NAME	DF-P1
APPROVAL	沈俊榮	CONFIRM	陳立業	DESIGN	張立人