



APPROVED DATA SHEET

Model: 1000100216(DF-P1S-2P-Z)
=====

Available for the model that mouse has stoppers added more than Min. 0.1mm

ISSUED DATE: APR.14.2011
APPROVED NO.: 1000100216.C
PAGE: 1/4

The undersigned guarantee of the model switches is meets the following specifications.

1.Operation Characteristics

Operating Force (OF)	:	Max. 43 gf
Releasing Force (RF)	:	Min. 7 gf
Free Position (FP)	:	Max. 14.2 mm
Operating Position (OP)	:	9.8±0.9 mm
Movement Differential (MD)	:	Max. 0.92 mm
Over-travel (OT)	:	Min. 0.7 mm
Pre-travel (PT)	:	Max. 3.5 mm

2. Specifications

Initial Contact Resistance	:	Max. 100 mΩ. (Measured by ohm meter –Open Voltage<1VDC, Driver current -100mA) Before measure the switch contact resistance, please press the switch three times on and off.
Initial Dielectric Strength	:	1,000VAC(50-60HZ)/minute between Live-parts and dead metal parts.
Insulation Resistance	:	Min. 100 MΩ (500 VDC/ minute) between Live-parts and dead metal parts.
Circuit Arrangement	:	SPDT (Single pole double throw)
Rating	:	0.1A 30VDC; 0.1A 125 VAC
Service Life	:	Min. 1,000,000operations
Rating Load	:	Resistive Load
Operating Frequency	:	120 operations per minute.
Mechanical Service Life	:	Min. 1,000,000 operations.
Operating Frequency	:	Max. 120 operations per minute.



APPROVED DATA SHEET

Model: 1000100216(DF-P1S-2P-Z)
=====

Available for the model that mouse has stoppers added more than Min. 0.1mm

ISSUED DATE: APR.14.2011
APPROVED NO.: 1000100216.C
PAGE: 2/4

3. Environments

Operating Temperature	:	-40°C ~ 85°C (with no icing)
Storage Temperature	:	-25°C ~ 85°C (with no icing)
Storage Humidity	:	at 40°C, Max. 85% R.H
Vibration Resistance	:	10~55Hz, displacement 0.75mm(p-p)
Shock Resistance	:	Destruction: 1,000 m/s ² {approx. 100G} max. Malfunction: 300 m/s ² {approx. 30G} max.
Soldering by hand	:	260°C maximum within 5 seconds. 300°C maximum within 3 seconds.
Soldering bath	:	260°C maximum within 5 seconds. (PCB thickness more than Min 1.6 mm.)

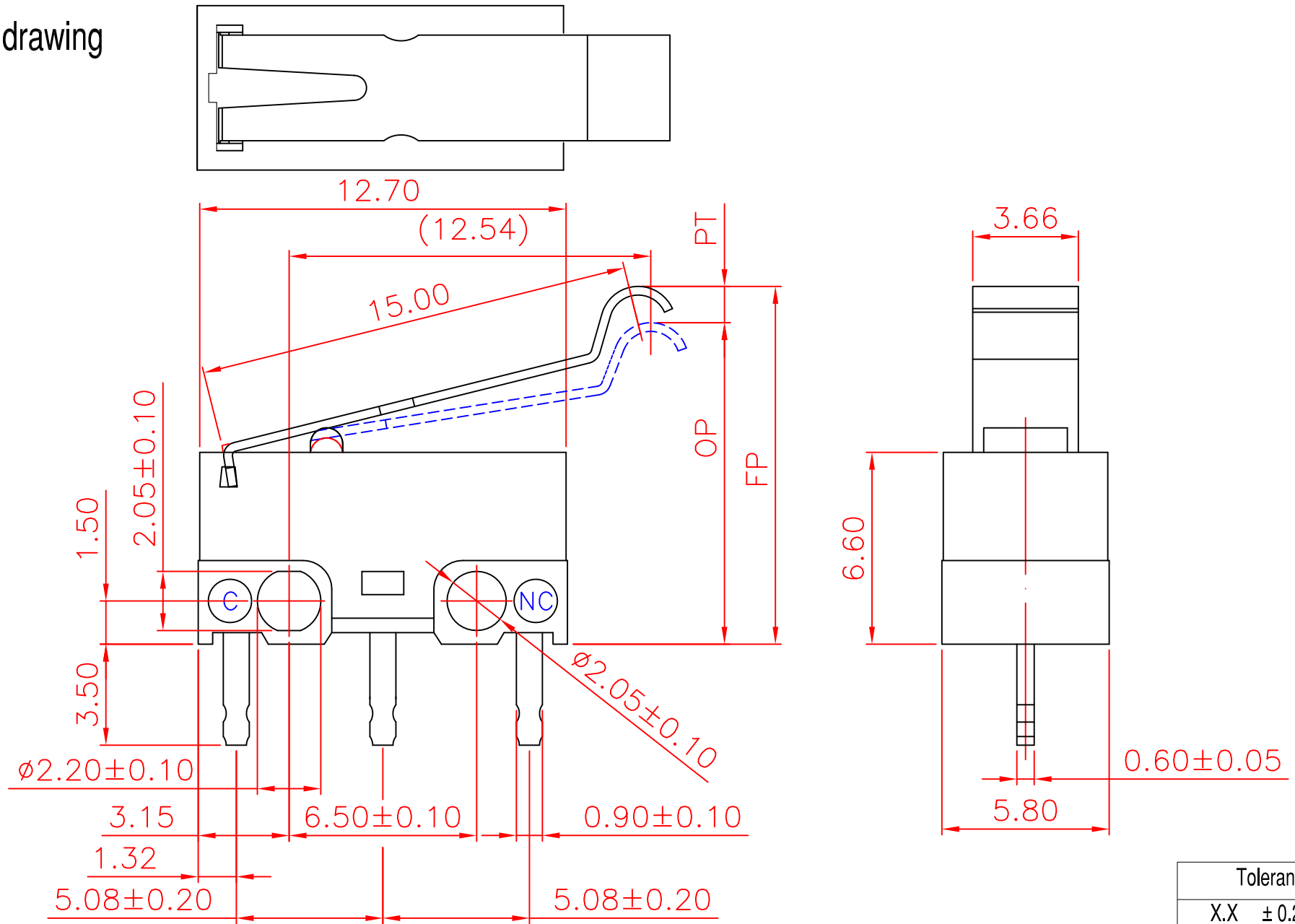
ZIPPY TECHNOLOGY CORP.
卓妍蓁

PREPARED
方鼎杰

CHECKED
張哲維

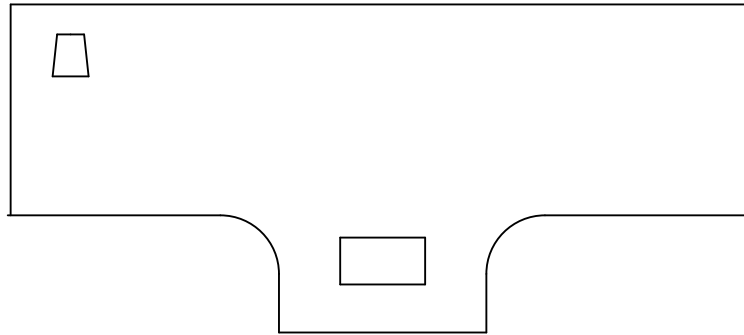
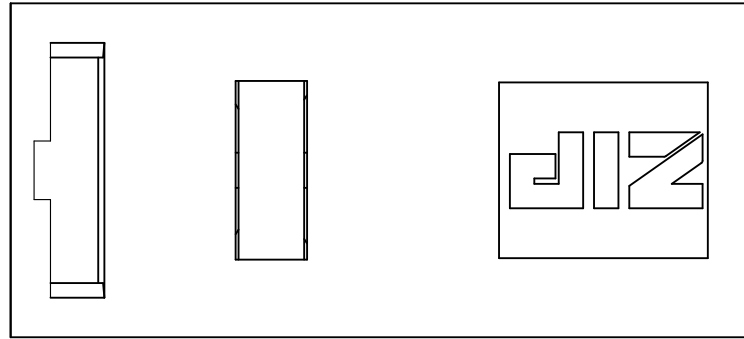
APPROVED

Dimensions drawing



Tolerance	
X.X	± 0.2
XX.X	± 0.4

VIEW		SIZE	A4	UNIT	mm
DATE	SEP.27.2010	VER.	1.3	FILE NAME	DF-02P0
APPROVAL	李金龍	CONFIRM	張哲維	DESIGN	方鼎杰



Markings are either by printing or molding

VIEW		SIZE	A4	UNIT	mm
DATE	JUL.16.2014	VER.	1.3	FILE NAME	DF-P1
APPROVAL	沈俊榮	CONFIRM	陳立業	DESIGN	張立人