



APPROVED DATA SHEET

Model: 1000100554(DF-P1L-1A-Z)
=====

Available for the model that mouse has stoppers added more than Min. 0.1mm

ISSUED DATE: Jun.08.2011
APPROVED NO.: 1000100554.A
PAGE: 1/4

The undersigned guarantee of the model switches is meets the following specifications.

1.Operation Characteristics

Operating Force (OF)	:	Max.30 gf
Releasing Force (RF)	:	Min. 5 gf
Free Position (FP)	:	Max.10.1 mm
Operating Position (OP)	:	7.9 ± 0.8 mm
Movement Differential (MD)	:	Max. 0.8 mm
Over-travel (OT)	:	Min. 0.6 mm
Pre-travel (PT)	:	Max. 3.4 mm

2. Specifications

Initial Contact Resistance	:	Max. 100 m . (Measured by ohm meter –Open Voltage<1VDC, Driver current -100mA) Before measure the switch contact resistance, please press the switch three times on and off.
Initial Dielectric Strength	:	1,000VAC(50-60HZ)/minute between Live-parts and dead metal parts.
Insulation Resistance	:	Min. 100 M (500 VDC/ minute) between Live-parts and dead metal parts.
Circuit Arrangement	:	SPDT (Single pole double throw)
Rating	:	0.1A 30VDC; 0.1A 125 VAC
Service Life	:	Min. 1,000,000operations
Rating Load	:	Resistive Load
Operating Frequency	:	120 operations per minute.
Mechanical Service Life	:	Min. 1,000,000 operations.
Operating Frequency	:	Max. 120 operations per minute.



ZIPPY TECHNOLOGY CORP.



10F, NO.50, MIN CHYUAN ROAD,
SHIN-TIEN CITY, TAIPEI COUNTY,
TAIWAN, R.O.C

TEL: 886-2-2918-8512 / 886-2-2918-0603
FAX: 886-2-2915-5765 / 886-22916-0215
[Http://www.zippy.com.tw](http://www.zippy.com.tw)

APPROVED DATA SHEET

Model: 1000100554(DF-P1L-1A-Z)
=====

Available for the model that mouse has stoppers added more than Min. 0.1mm

ISSUED DATE: Jun.08.2011
APPROVED NO.: 1000100554.A
PAGE: 2/4

3. Environments

- Operating Temperature : -40 ~ 85 (with no icing)
- Storage Temperature : -25 ~ 85 (with no icing)
- Storage Humidity : at 40 , Max. 85% R.H
- Vibration Resistance : 10~55Hz, displacement 0.75mm(p-p)
- Shock Resistance : Destruction: 1,000 m/s² {approx. 100G} max.
Malfunction: 300 m/s² {approx. 30G} max.
- Soldering by hand : 260 maximum within 5 seconds.
300 maximum within 3 seconds.
- Soldering bath : 260 maximum within 5 seconds. (PCB thickness more than Min 1.6 mm.)

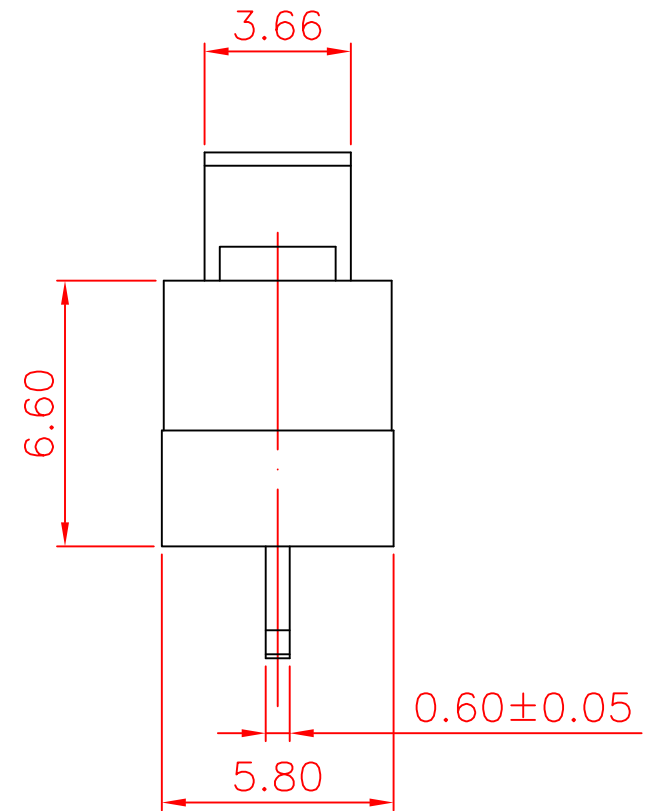
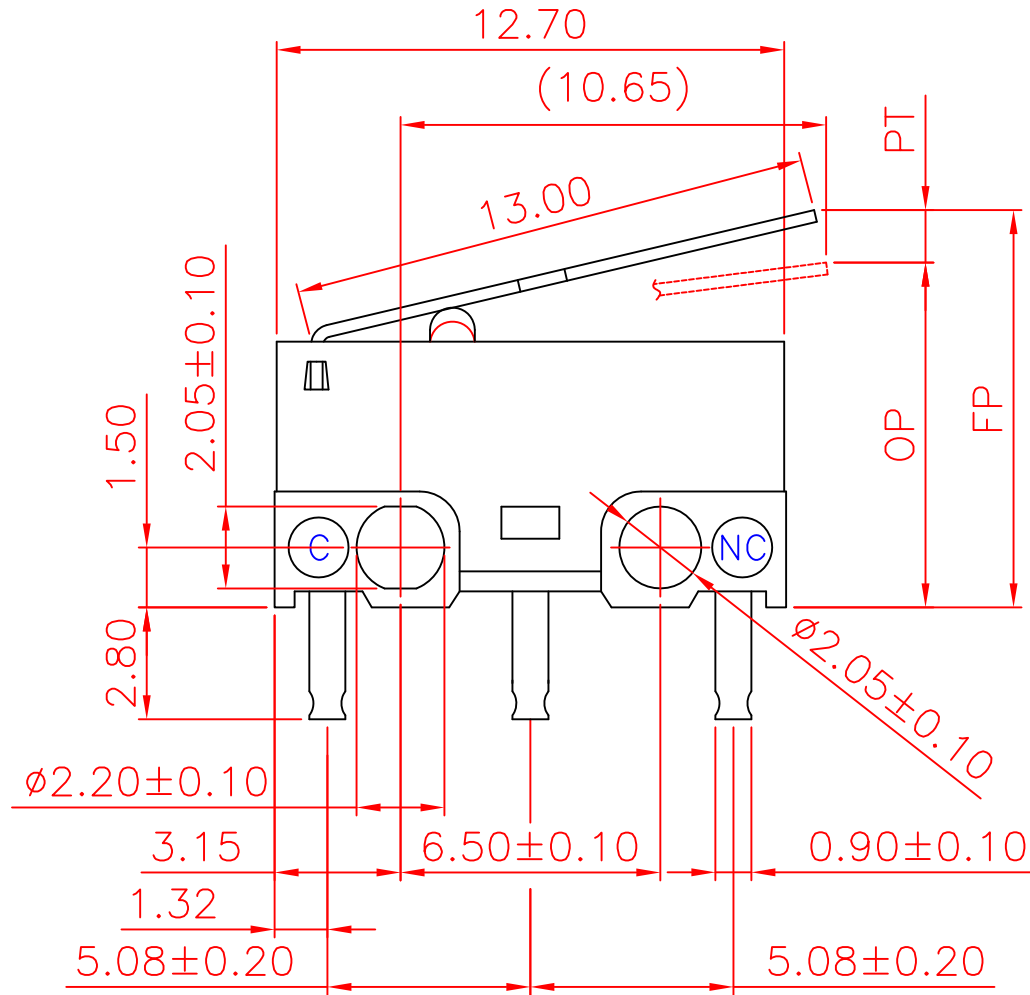
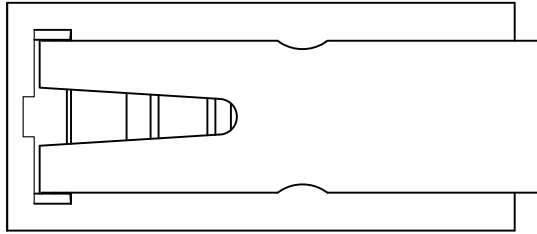
ZIPPY TECHNOLOGY CORP.
黃玉燕

PREPARED
方鼎杰

CHECKED
張哲維

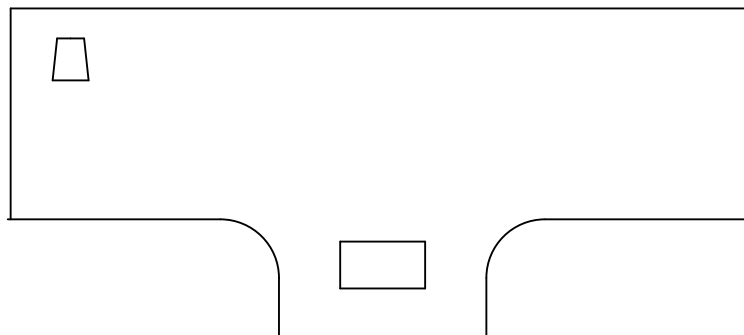
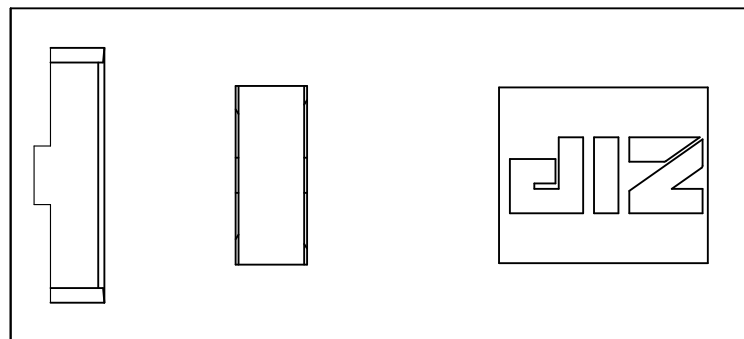
APPROVED

Dimensions drawing



Tolerance	
X.X	±0.2
XX.X	±0.4

VIEW		SIZE	A4	UNIT	mm
DATE	SEP.27.2010	VER.	1.2	FILE NAME	DF-01A0
APPROVAL	李金龍	CONFIRM	張哲維	DESIGN	方鼎杰



Markings are either by printing or molding

VIEW		SIZE	A4	UNIT	mm
DATE	JUL.16.2014	VER.	1.3	FILE NAME	DF-P1
APPROVAL	沈俊榮	CONFIRM	陳立業	DESIGN	張立人